


Product information

0906 UMC 201

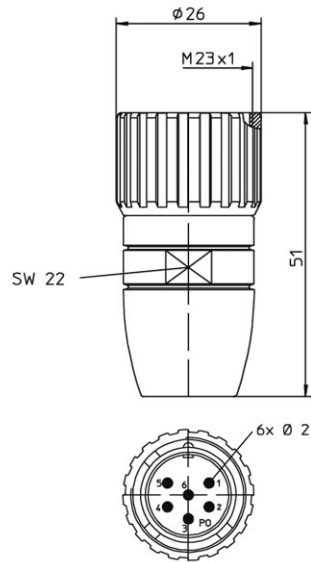
Industrial Connecting Solutions:Circular Connectors:7/8", M23 Connectors:M23 Connectors:Field Attachable M23 Connectors:Male Connectors:0906 UMC 201

<https://e-catalog.hirschmann.com:443/link/57078-24228-256281-256289-248941-279256-279260-351305/en/conf/ui/state>

Name	0906 UMC 201
	
	Field attachable connector, M23 male connector with threaded joint, assembling with solder connections, screw joint for cable Ø 10.5 mm, especially suitable for power supply Profibus and Interbus, 6 poles
Delivery informations	
Availability	available
Product description	
Type	0906 UMC 201
Order No.	2299
Description	Field attachable connector, M23 male connector with threaded joint, assembling with solder connections, screw joint for cable Ø 10.5 mm, especially suitable for power supply Profibus and Interbus, 6 poles
Number of contacts	6
Color of housing	chromium
Product characteristics	Vibration resistance, Oil resistance
Mechanical data	
Type of plug-in contact	Male connector
Design of housing	straight
Thread	M23
Design of electrical connection	connector M23
Environmental conditions	
Environmental temperature	-40 °C ... 125 °C
Degree of protection (IP), mounted	IP67
Pollution degree	3
Materials	
Housing material / Molded body	CuZn, nickel-plated
Contact bearer material	PBT
Contact material	CuZn
Contact material - Surface refinement	pre-nickeled and gold-plated
Knurled screw / nut material	CuZn, nickel-plated
Electrical data	
Rated current I _n	20 A
Nominal voltage	300 V
Test voltage	1,5 kV eff./60 s
Insulation resistance	> 10 GΩ
Approvals	
Approvals	RoHS 2002/95/EG

Picture

Drawing



Belden Deutschland GmbH

Im Gewerbepark 2
58579 Schalksmühle
Germany
Phone: +49 7127/14-1806
E-Mail: icos-sales@belden.com

The information published in the websites has been compiled as carefully as possible. It is subject to alteration without notice in technical as well as in price-related/commercial respect. The complete information and data were available on user documentation. Mandatory information can only be obtained by a concrete query.