

746-277

4" Marine speaker

The following features are designed to increase resistance to UV and moisture:

- Integral plastic grille
- ABS plastic chassis and magnet cover
- Polypropylene cone
- Rubber cone surround
- Mylar secondary HF cone
- PU coated pigtails

Technical Specification:

Magnet Ø	70	mm
Nominal Impedance	8	Ohms
Output S.P.L 1W @ 1m	85	dB
Frequency Response	120-17,000	Hz
Rated Power Input	20	Watts rms
Voice coil Ø	25	mm
Mounting depth (from rear)	48	mm
Speaker weight	-----	g

After the following tests the speaker operates normally

Load test: 22 Watts of White noise for 100 Hrs
 Heat test: 55 ± 5°C for 24 Hrs
 Humidity test: 45 ± 5°C for 48 Hrs @ 95% R.H.

59-MS10.00-01F

Theile Small Parameters:

<i>F_s</i>	122	Hz
<i>R_e</i>	6.2	Ohms
<i>R_{es}</i>	14.18	Ohms
<i>Q_{ms}</i>	3.99	
<i>Q_{es}</i>	1.74	
<i>V_{as}(Sd)</i>	2.08	Litres
<i>M_{ms}</i>	4.75	grams
<i>C_{ms}</i>	367	µm/Newton
<i>Bl</i>	3.58	Tesla-m

Remarks:

Supplied as standard with terminal types as follows:

+Ve 1 x 6.3mm x 0.8mm
 -Ve 1 x 6.3mm x 0.8mm

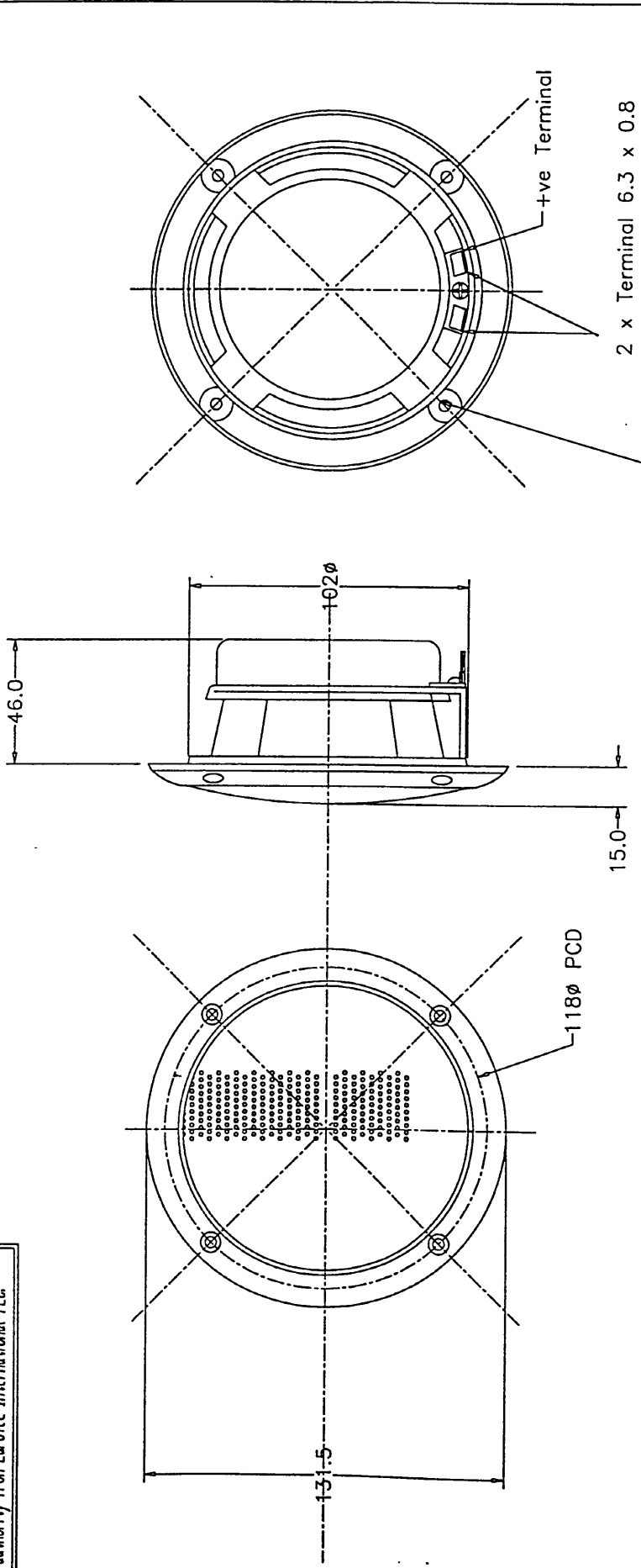
Also available in 5" 25 Watt, and 6" 30 Watt versions.

Frequency response and Impedance graphs available on request.

CONFIDENTIAL

This drawing and design is the property of Eurotec International PLC, and must not be disclosed to any third party without written authority from Eurotec International PLC.

746-277



739	1	Release	MM	SC
EDD	CHANGE	DATE	Apply	
THIRD ANGLE				
PROJECTION				
TOLERANCES UNLESS OTHERWISE STATED				
ALL DIMENSIONS IN mm				
20-50 ± 0.1				
10-20 ± 0.08				
DO NOT SCALE				
4:0 ± 0.5				
Eurotec Int'l PLC				
Liss Hants UK				
Drawn: Ansell Date: 26/03/98				
Checked: [Signature] Date: 23/3/98				
File Name: MS10.0.DWG				
Drawing Ref:				
Description:				
Moine Type Loudspeaker 100mm				
Part N°				
SB-MS10.00-01C				

2 x Terminal 6.3 x 0.8

4 x Fixing hole 4.00

With 7.00 Counter bore