

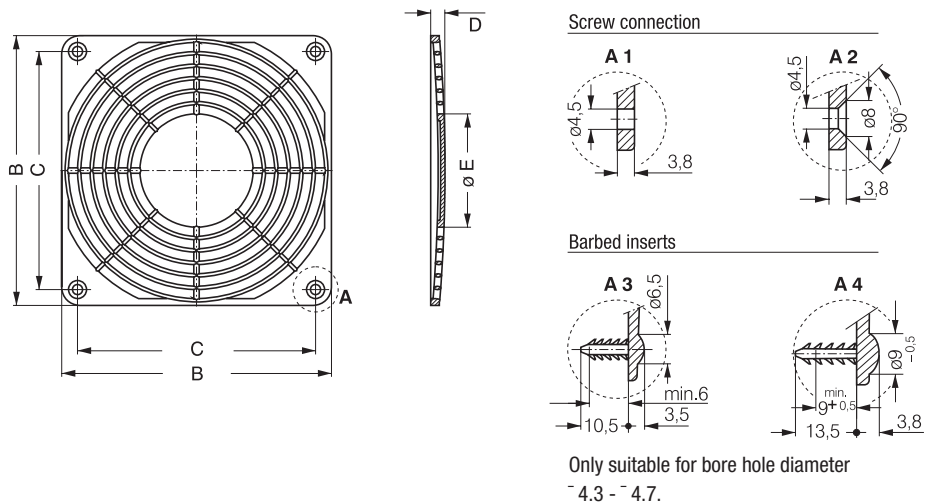
# Finger guards



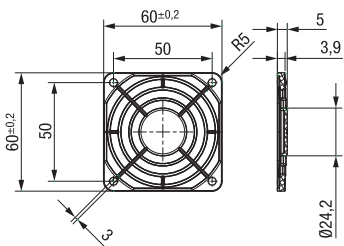
- **Material:** Fiberglass-reinforced plastic
- **Note:** Finger guard according to DIN EN ISO 13857 (previously EN 294). Plastic guards may not be used for the following models:  
8200 JH3 / JH4  
3200 JH3 / JH4  
4100 NH5 - NH8

Part no.	Mounting	B	C	D	E	Part no.	Mounting	B	C	D	E
LZ28-3	A3	60 <sup>-0.5</sup>	50.0 <sup>+0.2</sup>	3.0	24	LZ30-5	A2	119 <sup>-0.5</sup>	105 <sup>+0.2</sup>	6.5	50
LZ32-2	A1	80 <sup>-0.5</sup>	71.5 <sup>+0.2</sup>	7.0	34	LZ30-6	A4	119 <sup>-0.5</sup>	105 <sup>+0.2</sup>	6.5	50
LZ32-3	A3	80 <sup>-0.5</sup>	71.5 <sup>+0.2</sup>	7.0	34	LZ33-1	A2	127 <sup>-0.5</sup>	113.5 <sup>+0.2</sup>	6.5	50
LZ23-2	A1	92.5 <sup>-0.5</sup>	82.5 <sup>+0.2</sup>	6.5	46	LZ33-2	A4	127 <sup>-0.5</sup>	113.5 <sup>+0.2</sup>	6.5	50
LZ23-3	A3	92.5 <sup>-0.5</sup>	82.5 <sup>+0.2</sup>	6.5	46	Subject to change					

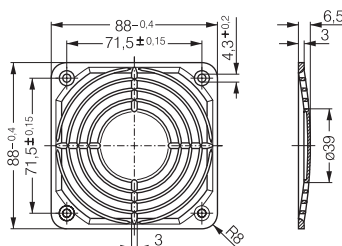
LZ28-3	Fan size 60 x 60
LZ32-2 / LZ32-3	Fan size 80 x 80
LZ23-2 / LZ23-3	Fan size 92 x 92
LZ30-5 / LZ30-6	Fan size 119 x 119
LZ33-1 / LZ33-2	Fan size 127 x 127



LZ28-3 Fan size 60 x 60



LZ32P Fan size 80 x 80



LZ30P Fan size 119 x 119

