

329563

# PROTOTYPING BOARD ACCESSORIES

## HEADERS AND SOCKET PINS

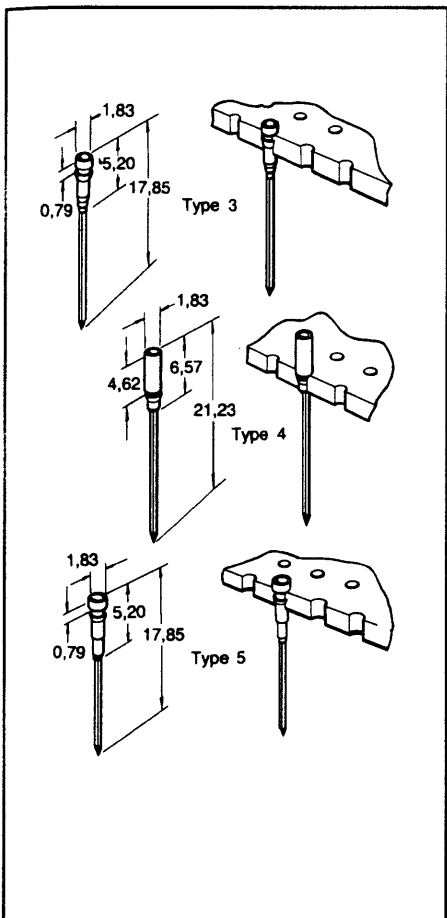
### MINIWRAP SOCKET PINS (TYPES 3, 4 & 5)

These pins have 4-leaf spring beryllium copper inserts enabling components to be plugged directly into sockets.

**Type 3** is a low-profile pin allowing components to be mounted close to the board surface

**Type 4** has a higher profile allowing heat to be dissipated by convection between the components and the board

**Type 5** Identical to type 3 but without beryllium copper contact. Recommended for use with discrete components to be soldered in position



### MINIWRAP SOCKET PINS Ordering information

Type	Compatible hole dia.		Order code
	pierced	drilled	
3	-	1,45	66-3472C
4	1,02	1,05	66-3505A
5	-	1,45	66-3471H

Material: All wire wrapping pins are manufactured from brass to BS249 and gold plated over a copper and nickel finish (unless otherwise stated)

Post size: 0,61 mm square,  
0,86 mm diagonal.

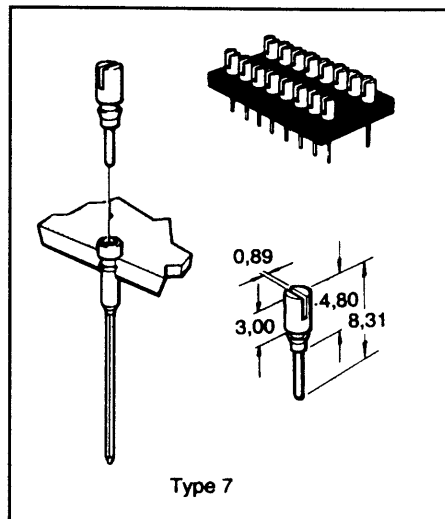
### SOCKET PINS - TYPICAL TEST DATA

(test data shown applies to 66-3472C and 66-3505A only)

Test	Result
Terminal retention	5,4 kgf
Contact resistance	Initial 5,3 mΩ average After 1000 insertions / withdrawals 6,4 mΩ av.
Low voltage	0,1 mA measured with open-circuit voltage of 10 μV
Salt spray (48 Hours)	Contact resistance <15 mΩ No evidence of galvanic corrosion
Humidity	No evidence of damage
Exposure to atmospheric pollution	5m Ω maximum

### TERMINAL HEADER PIN (TYPE 7)

May be mounted directly into header board or alternatively plugged into socket pins (66-3472C - type 3) or (66-3505A - type 4).



### TERMINAL HEADER PIN Ordering information

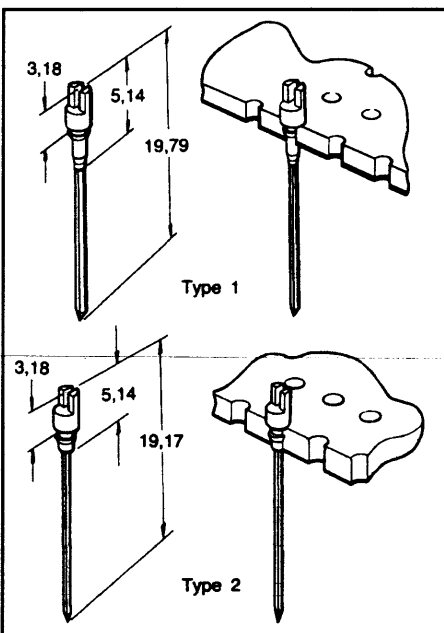
Type	Compatible hole dia.		Order code
	pierced	drilled	
7	1,32	1,40	66-3469G

Supplied in packets of 100

### MINIWRAP HEADED PINS (TYPES 1 & 2)

For mounting discrete components.

These pins feature a 0,89 mm cross-cut slot on the component side to locate component leads for assembly.



### MINIWRAP HEADED PINS Ordering information

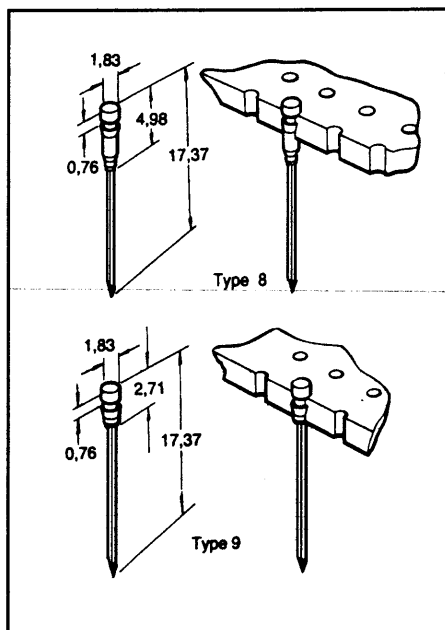
Type	Compatible hole dia.		Order code
	pierced	drilled	
1	1,32	1,40	66-3478F
2	1,02	1,05	66-3523K

Supplied in packets of 100

## MINIWRAP TERMINALS

### SINGLE SIDED PINS TYPES 8 & 9

Suitable for use with all types of boards. This pin may be soldered to a copper track or pad to ensure electrical continuity.



### SINGLE SIDED PINS Ordering information

Type	Compatible hole dia.		Order code
	pierced	drilled	
8	1,32	1,40	66-3496D
9	1,02	1,05	66-3514L