

Identification

Type Designation	LR3 60-3/90	Type of reactor	3~ Line Reactor
Series	LR3	Core Rating	3023.09 var
Core type	3UI 114/40	Drive HP	75 - 100

Technical Data

No. of phase		3
Circuit type		III0
Rated Voltage	[V]	600
Rated current	[A]	90.0
Rated Frequency	[Hz]	50 - 60
Impedance	[%]	3.2
Inductance L	[mH]	0.330
L tolerance	[%]	±10%
Linearity		150% In
Test voltage	[kV]	4.0
Isolation System Class		Class 155

Operating conditions

Ambient temperature	[°C]	-10 ... +40°C
Ambient temperature	[F]	14 ... 104°F
Type of cooling		AN
Operating conditions		24/7

Standards

Type: VDE 0570 / EN 61 558 Part 1 VDE 0570 / EN 61 558 Part 20	Signs
--	-----------

Approvals

UL 508		E219022	NMTR
UL 5085-1		E103521	XPTQ

Variations may apply due to material's and production's tolerances. Objected to modifications without notice.

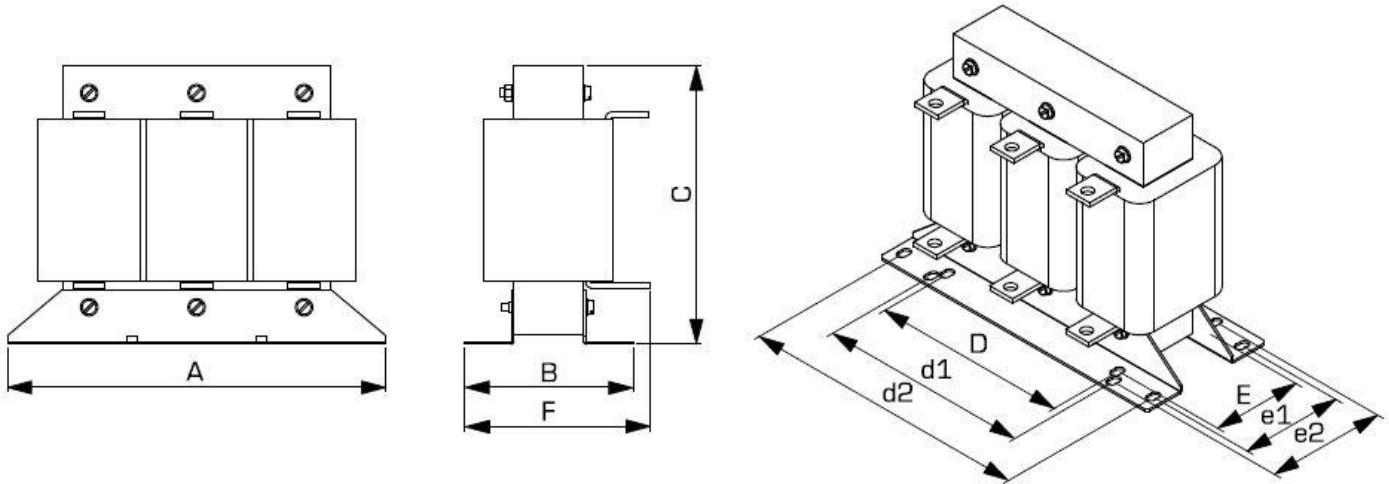
Original Date:	15/04/17	Observe protection clause to ISO 16016	Index	0
Name:	Lüning		Doc. type	
Date:	15/05/06			
Checked:	Wesner		Pages	1 of 2

Product Ident
LR3 60-3/90

Line-Reactor Datasheet



Dimensions / Mounting in Inches



A	B	C*	F	D	d1	d2	E	e1	e2	Drill
10.51	5.04	7.91	-	6.93	7.09	9.80	2.91	3.98	3.20	0.28
										0.28
										0.28

* = Typical variable air gab

Weight

Weight	[kg]	16.00
	[lbs]	35.27

Notes

Technical specifications in the drawing are not binding. General tolerance to DIN 7168-m. Subject to change.
Mounting plates also available in stainless steel as OEM application. Ask for details.

Original Date:	15/04/17	Observe protection clause to ISO 16016	Index	0
Name:	Lüning		Doc. type	
Date:	15/05/06			
Checked:	Wesner		Pages	2 of 2