



Wireless command device

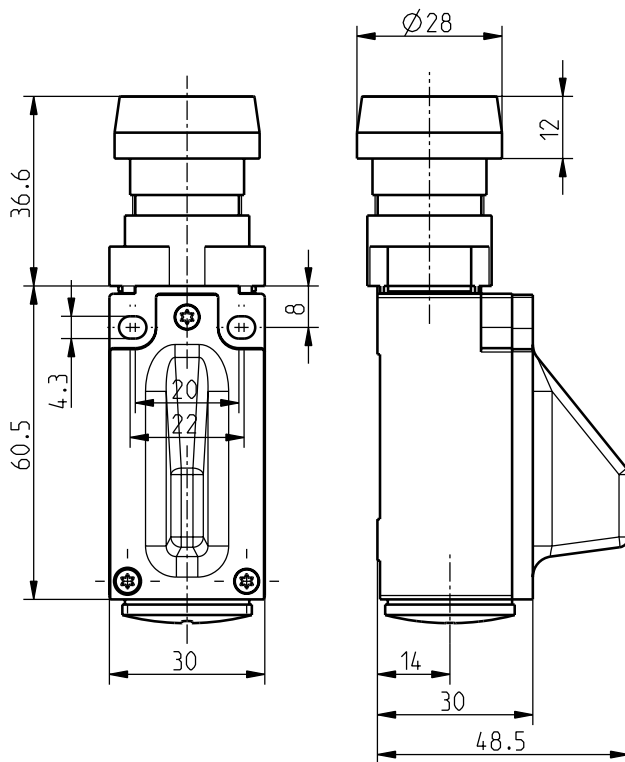
RF 95 RT LR SW915

Material number: 1228606 (Material number old: 95955011)

Features/Options

- Thermoplastic enclosure
- Mounting details to EN 50047
- sWave® wireless technology
- No power supply, no wiring and pipe laying required
- Easy programming of receiver
- Output signal can be individually configured at the receiver
- Actuator: Push-button RT
- Actuator made of plastic

Dimensions



Technical data

Standards	EN 60947-5-1; EN 61000-6-2, -6-3, EN 61000-4-2, -4-20; EN 301 489-1; EN 301 489-3; EN 300 220-1; EN 300 220-2
Enclosure	glass-fibre reinforced, shock-proof thermoplastic, self-extinguishing UL 94-V0
Cover	glass-fibre reinforced, shock-proof thermoplastic, self-extinguishing UL 94-V0
Tightening torque	mounting screw enclosure: max. 1.2 ... 1.3 Nm
Degree of protection	IP 65 to IEC/EN 60529
Protocol	sWave®
Ambient temperature	-20 °C ... +65 °C
Operation cycles	approx. 12000 telegrams at repetitions/h
Voltage supply	Electrodynamic energy generator
Frequency	915 MHz (USA, Canada and Australia)
Transmission power	< 10 mW
Data rate	66 kbps
Channel bandwidth	400 kHz
Sensing range	max. 450 m outside, max. 40 m inside
Mechanical life	> 1 million operations
Actuating time	min. 80 ms
Note	no status signal available
Approvals	USA: FCC: XK5-RF95SW915SR; Canada: IC: 5158A-RF95SW915SR
Weight	1000 g

Errors and omissions excepted.