



PUSHBUTTON, 22MM, ROUND, PLASTIC WITH METAL FRONT RING, RED, RAISED FRONT RING MOMENTARY CONTACT TYPE

Figure similar

product brand name	SIRIUS ACT
Product designation	Commanding and signaling devices
Design of the product	Pushbutton

Actuator:

Design of the operating mechanism	pushbutton with flat button
Manner of function of the actuating element	Momentary contact type
Product expansion optional Light source	No
Color	
• of the actuating element	Red
Material of the actuating element	plastic
Shape of the actuating element	round
Outer diameter of the actuating element	29.5 mm
Type of unlocking device	without

Front ring:

Product component front ring	Yes
Design of the front ring	high
Material of the front ring	Metal, matt
Color of the front ring	sand gray

General technical data:

Shock resistance	
• acc. to IEC 60068-2-27	Sinusoidal half-wave 50 g / 11 ms
Vibration resistance	
• acc. to IEC 60068-2-6	10 ... 500 Hz: 5g
Operating frequency maximum	3 600 1/h

Mechanical service life (switching cycles)	
• typical	10 000 000
Protection class IP	IP66, IP67, IP69(IP69K)
Equipment marking	
• acc. to DIN EN 61346-2	S
• acc. to DIN EN 81346-2	S

Ambient conditions:

Ambient temperature	
• during operation	-25 ... +70 °C
• during storage	-40 ... +80 °C

Installation/ mounting/ dimensions:

Height	29.5 mm
Width	29.5 mm
Shape of the installation opening	round
Mounting diameter	22 mm

Certificates/ approvals:

Further information

Information- and Downloadcenter (Catalogs, Brochures,...)

<http://www.siemens.com/industrial-controls/catalogs>

Industry Mall (Online ordering system)

<http://www.siemens.com/industrymall>

Cax online generator

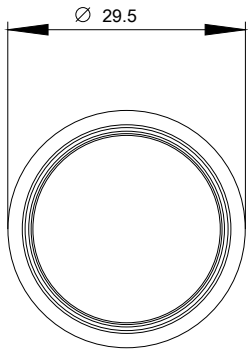
<http://support.automation.siemens.com/WW/CAXorder/default.aspx?lang=en&mfb=3SU10300CB200AA0>

Service&Support (Manuals, Certificates, Characteristics, FAQs,...)

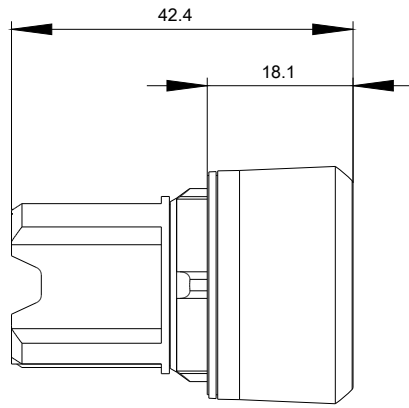
<https://support.industry.siemens.com/cs/ww/en/ps/3SU10300CB200AA0>

Image database (product images, 2D dimension drawings, 3D models, device circuit diagrams, EPLAN macros, ...)

http://www.automation.siemens.com/bilddb/cax_de.aspx?mfb=3SU10300CB200AA0&lang=en



last modified:



27.04.2015