

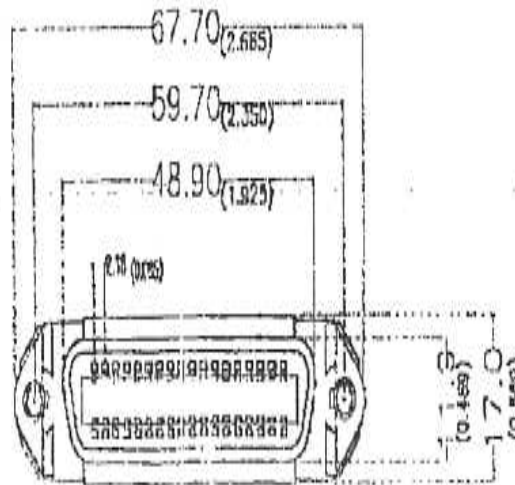
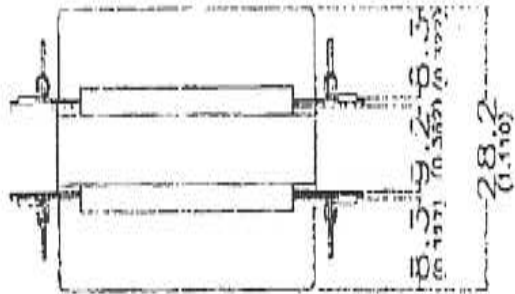
INSULATION:
PBT Glass fibre reinforced
UL 94 V0

CURRENT RATING:
5 AMP

DIELECTRIC STRENGTH:
1000V for one minute

INSULATOR RESISTANCE:
1000M Min at 500V DC

TEMPERATURE:
-55° C -- +105° C



127
ch)

M6C3640CFF000