

San Ace DC Fan Motor

60mm San Cooler 60



General specifications

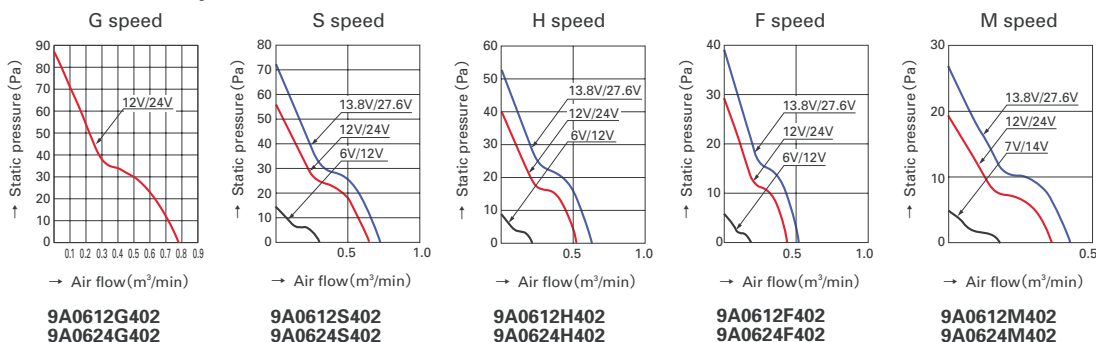
- Expected life It depends on each part numbers (Survival rate: 90% at 60°C, rated voltage, and continuously run in a free air state)
- Motor protection system Current blocking function (with reverse polarity protection)
- Dielectric strength 50/60 Hz, 500VAC, 1 minute (between lead conductor and frame)
- Noise measurement method Measured at 1m away from the air inlet
- Operating temperature range It depends on each part numbers (Non-condensing)
- Lead wire G, S, H, F speeds ⊕red, ⊖black
M speed ⊕red, ⊖blue
- Mass 80g

25mm thick Specifications

Model No.	Rated voltage (V)	Operating voltage range (V)	Rated current (A)	Rated input (W)	Rated speed (min ⁻¹)	Air flow (m ³ /min) (CFM)	Static pressure (Pa) (inchH ₂ O)	Noise (dB [A])	Operating temperature range (°C)	Expected life (h)
9A0612G402(4021)	12	6~13.2	0.24	2.88	5,600	0.78 27.6	87.3 0.351	39	-10 ~ +60	30,000
9A0612S402(4021)			0.17	2.04	4,600	0.65 23.0	56.8 0.228	33		
9A0612H402(4021)			0.11	1.32	3,800	0.53 18.7	40.2 0.161	28		
9A0612F402(4021)			0.09	1.08	3,200	0.44 15.5	29.4 0.118	24		
9A0612M402(4021)			0.06	0.72	2,600	0.36 12.7	19.6 0.079	20		
9A0624G402(4021)	24	12~27.6	0.13	3.12	5,600	0.78 27.6	87.3 0.351	39	-10 ~ +60	30,000
9A0624S402(4021)			0.08	1.92	4,600	0.65 23.0	56.8 0.228	33		
9A0624H402(4021)			0.06	1.44	3,800	0.53 18.7	40.2 0.161	28		
9A0624F402(4021)			0.05	1.2	3,200	0.44 15.5	29.4 0.118	24		
9A0624M402(4021)			0.04	0.96	2,600	0.36 12.7	19.6 0.079	20		

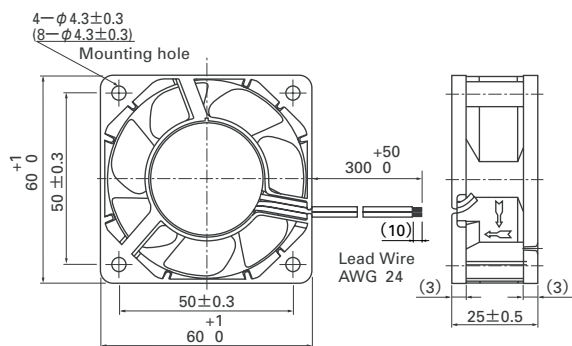
The numbers in () represent ribless models.

Air flow and static pressure characteristics



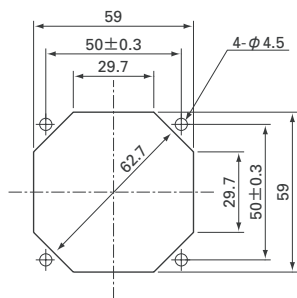
60mm

Dimensions (unit : mm)



Reference dimension of mounting holes and vent opening (unit : mm)

Air inlet sides · Air outlet sides



60mm

Notice

- The products shown in the catalog are subject to Japanese Export Control Law. Diversion contrary to the law of exporting country is prohibited.
- To protect against electrolytic cooling corrosion that may occur in locations of strong electromagnetic noise, we provide fans that are unaffected by electrolytic corrosion. Alternative measures to protect against electrolytic corrosion may include metallic finger guards or other metallic attachments. Please contact us for details.

SANYO DENKI