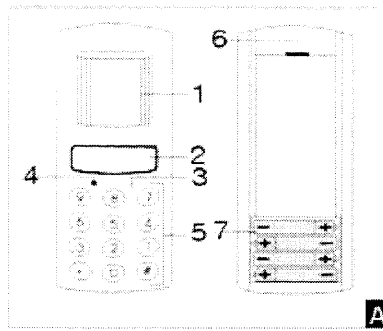


Controls

1. Motion Sensor
2. Speaker
3. Mic
4. Battery Low LED
5. Keypad
6. Telephone Plug Socket
7. Battery Compartment



Connection to the telephone unit

- 1 Remove the screw at the base of the alarm unit.
- 2 Remove the back plate and connect the telephone plug at the end of the telephone cable into the alarm unit telephone plug socket.

Operation

Leaving the protected area

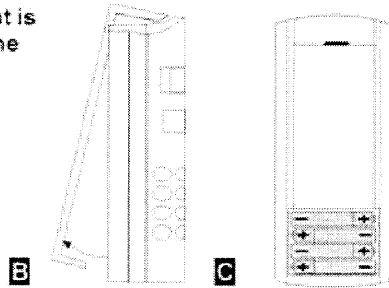
Press keypad number "0" and a confirmation tone will indicate that the alarm is armed. You have 30 seconds in which to vacate the area. After this time, if motion is detected then the alarm will auto dialing and sound.

Entering the protected area

Type your 4 digit security code within 10 seconds. This will disarm the alarm. If the unit activates, it will dial first telephone number. If first telephone No. cannot be connected, it will keep dialing for 45 seconds and then try 2nd telephone number. When unit activates after 20 seconds, the alarm will sound. In any case, the auto dialer will complete dialing 3 stored telephone number.

Battery installation

1. The battery compartment is accessed from the rear of the alarm unit by removing the screw from the base and lifting the backcover **B**.
2. Insert four AAA size batteries (not included) following the polarity as shown **C**. When the last battery is inserted the alarm will beep very loudly to indicate that the batteries are installed properly.
3. Replace the back cover and fix with screw.



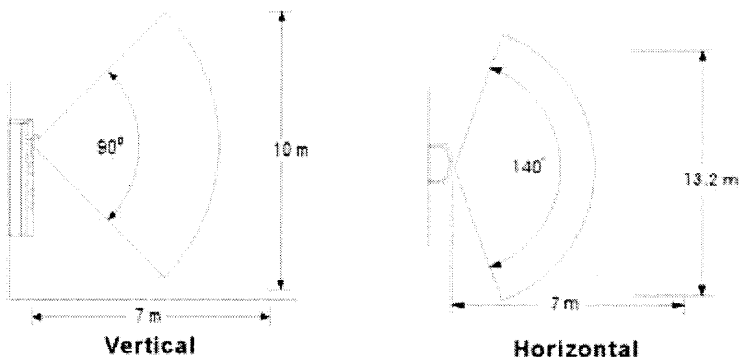
The Battery Low LED will light when the batteries need replacing.

Installation

- 1 Place the alarm in the desired location, preferably near the front or back door.
- 2 Remove the back cover and fix it to the wall using the screws and rawplugs supplied, as shown **D**.
- 3 The alarm body can then be snapped into place on to the back cover and secured using the screw at the base. Please note that this alarm can also be used free standing.



Detection Area



Care and maintenance

To clean the case, simply use a soft slightly damp cloth with water and wipe dry immediately. Caution: Never use chemicals to clean the case, as they may cause damage to the plastic and cause the alarm not to function.

Programming the alarm

Immediately after inserting the batteries, the desired 4 digit security code must be set, simply press the desired 4 digits on the keypad.

Note: After removing the batteries, press number "0" before installing new ones. The alarm must be re-programmed with your security code, voice message and stored telephone number each time the batteries are removed or replaced.

Storing telephone Number

Press "*" "1" and store 1st group of telephone No. and press "*" to confirm storing. Press "*" "2" for 2nd group of telephone No. and so on. Maximum 3 groups of telephone number with max 16 digits can be stored.

Can use with PABX phone system

To change the telephone No. already stored, repeat above action.

Recording a message

To press "*" "1" "1" "#", the LED will be on. You can start to record the message in 6 seconds. The LED will be off after 6 seconds.

Troubleshooting

The unit does not sound when the batteries are installed

Ensure that the batteries are connected correctly according to the diagram in the battery compartment

The alarm does not arm

Ensure that the back plate of the alarm unit is secure to hold the batteries in place and that the red light comes on when the keypad buttons are pressed

The red light on the base of the alarm is on

This is the 'Battery Low Indicator'. The batteries need replacing

Battery precautions

When using this product follow these precautions at all times.

- Use only the appropriate size batteries
- Be sure to follow the correct polarity when installing the batteries as indicated in the battery compartment. Incorrect polarity may cause damage to the alarm.
- Do not mix different types of battery such as Alkaline and Carbon-zinc or old batteries with new.
- If the alarm is not used for long periods of time, remove the batteries to prevent damage or injury from possible battery leakage.
- Do not recharge batteries not intended to be recharged as they can overheat and rupture. (Always follow the manufacturer's directions.)