

PLEASE CHECK WWW.MOLEX.COM FOR LATEST PART INFORMATION

Part Number: [1300580059](#)
Status: **Active**
Overview: Brad® Ethernet Solutions
Description: RJ-Lnxx® RJ45 Female to RJ45 Female Adaptor, Panel Mount Pass Thru

Documents:

[Drawing \(PDF\)](#) [RoHS Certificate of Compliance \(PDF\)](#)

General

Product Family	Field Attachable / Accessories
Series	130058
IP Rating	IP67
Overview	Brad® Ethernet Solutions
Product Name	RJ-Lnxx®
Type	Threaded Interconnect
UPC	78678856747

Physical

Cable Diameter	N/A
Coupling Type	External Thread
Diagnostics / LEDs	No
Diagnostics Port	No
Gender	Female
Keyway	N/A
Material - Connector Body	Delrin
Material - Contact	N/A
Material - Coupling Nut	Nylon
Material - Plating Mating	n/a
Orientation	Straight
Poles	N/A
Temperature Range - Operating	-20°C to +80°C
Wire Size AWG	N/A

Electrical

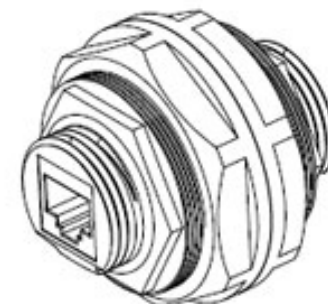
Current - Maximum per Contact	1.5A
Voltage - Maximum	30V DC

Material Info

Old Part Number	RJBG17946
-----------------	-----------

Reference - Drawing Numbers

Sales Drawing	SD-130058-007
---------------	---------------



Series image - Reference only

EU ELV

Not Relevant

EU RoHS

Not Reviewed

REACH SVHC

Not Reviewed

Halogen-Free

Status

Not Low-Halogen

Need more information on product environmental compliance?

Email productcompliance@molex.com
Please visit the [Contact Us](#) section for any non-product compliance questions.

China ROHS

Not Reviewed

ELV

Not Relevant

Search Parts in this Series

[130058](#) Series