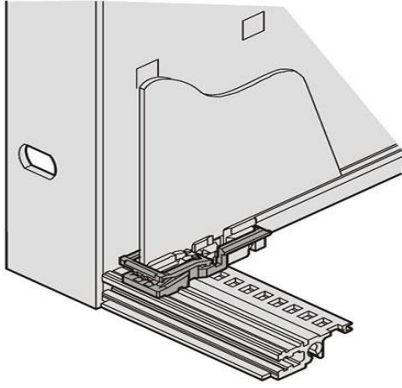


Schroff



Part Number: 24560-377

Description: X-BOARD RETAINER 10 PCS

Individual Component Type:

Guide Rails & Accessories

Description:

Board locking for PCBs without front panel; for accessory type guide rails.

Color: Red

Material: PBT, UL 94 V-0

Description: PCB Retainer C

Features:

- For fixing PCB
- For EuropacPRO, MultipacPRO, RatiopacPRO, PropacPRO and CompacPRO
- Can also be used in slot position "1"
- For fixing PCB in a subrack or 19" case
- Can also be used without PCB handle
- Possible application on top and bottom horizontal rail.