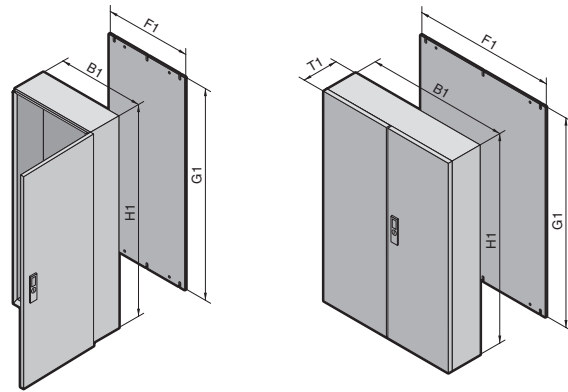


# Compact enclosures AE

Width: 600 – 1000, height: 760 – 1400



1.2 Compact enclosures AE

**Material:**

Sheet steel  
Enclosure: 1.5 mm  
Door: 2.0 mm  
Mounting plate: 3.0 mm

**Surface finish:**

Enclosure and door:  
Dipcoat-primed,  
powder-coated on the outside in  
textured RAL 7035  
Mounting plate: Zinc-plated

**Protection category:**

IP 55 to EN 60 529/10.91,  
Complies with NEMA 12.  
IP 56 to EN 60 529/10.91  
for AE 1260.500 and  
AE 1280.500.

**Supply includes:**

Enclosure of all-round solid construction, single door:  
1 gland plate,  
twin-door: 2 gland plates in the enclosure base,  
3-point lock system,  
prepared for use of the Ergoform-S lock system,  
2 cam locks for 1100.500,  
1130.500, 1110.500, foamed-in door seal, zinc-plated mounting plate.

**Approvals,**  
see page 26.

**Detailed drawing,**  
see page 1084.

**Possible alternative:**

Compact system enclosures  
Rittal CM, see page 128 – 129.

Width (B1) in mm	Packs of	600	800	1000	1000	1000	1000	1000	Page
Height (H1) in mm		1200	1200	760	760	1000	1200	1400	
Depth (T1) in mm		300	300	210	300	300	300	300	
Mounting plate width (F1) in mm		540	740	944	944	939	940	940	
Mounting plate height (G1) in mm		1155	1155	730	730	955	1155	1355	
<b>Model No. AE</b>	1	<b>1260.500</b>	<b>1280.500</b>	<b>1100.500</b>	<b>1130.500</b>	<b>1110.500</b>	<b>1213.500</b>	<b>1114.500</b>	
Door(s)		1	1	2	2	2	2	2	
Weight (kg)		55.0	70.0	52.0	56.0	71.0	85.0	97.0	

<b>Accessories</b>		Packs of	600	800	1000	1000	1000	1000	1000	Page
Self-tapping screws		300	2487.000							937
Base/plinth	Height 100 mm	1	2816.200	2818.200	–	–	2801.200	2801.200	2801.200	843
	Height 200 mm	1	2826.200	2828.200	–	–	2802.200	2802.200	2802.200	843
Stainless steel rain canopy		1	–	2475.000	–	2363.000	2363.000	2363.000	2363.000	899
Plastic cable gland plate		5	2563.000	2563.000	2562.000	2562.000	2562.000	2562.000	2562.000	966
Eyebolts		4	2509.000	2509.000	–	–	–	2509.000	2509.000	904

**Lock systems**

Standard double-bit lock insert may be exchanged for 27 mm lock inserts, type A, see page 888 and Ergoform-S lock system (not for 1100.500, 1130.500, 1110.500), see page 885.

To order enclosures in textured RAL 7032 please add extension .600 to the Model No., and for primed enclosures use extension .800. Delivery times available on request.