

18vdc 1A 18W UK PSU

PowerPax

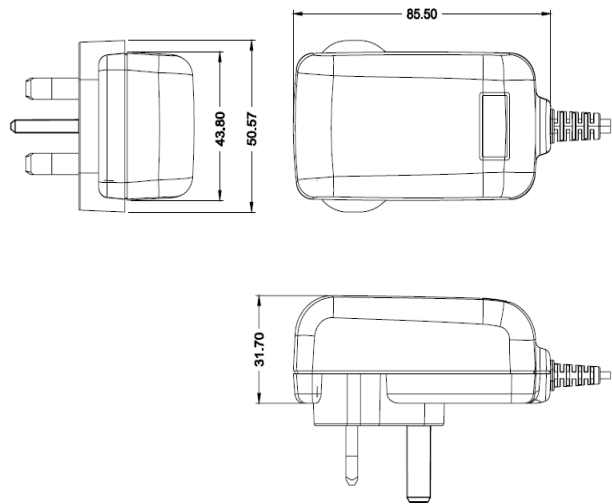


Features:

- Universal / Full range AC input
- Fixed UK pins
- Fully enclosed attractive plastic case
- Small & Compact design
- Cost effective and high reliability
- Protections: Short circuit & Over Current
- Safety approved & Energy Efficient
- Level VI CoC Tier 1 (updating to CoC Tier 2)
- MTBF >50,000 hours
- Also available as Euro, USA and Australian versions



Part number	SW4535B
Input current	0.4A max
Load Regulation	+/-5 % Typical
Case Size	85.5 x 43.8 x 31.7mm
DC Cord	1.8 Metres
DC Plug	2.1 x 5.5 x 12mm
Polarity	+ve centre
Rated Input Voltage	100-240Vac (90-264vac max)
Weight	130g
Hi-Pot Spec	3000Vac 10mA 1 min. (I.P. to O.P.)
No load power consumption	0.075W max
Operating Temperature	0 to 40 degrees C
Storage Temperature	-20 to 80 degrees C
Operating Humidity	10% to 90%
Rated Frequency	50-60Hz (47/63Hz max)
Efficiency	Level VI CoC Tier 2 (updating to CoC Tier 2)



Full specification documents on each part included in this data sheet are available on request from PowerPax UK Ltd. PowerPax accepts no responsibility for typographical errors in the production of this datasheet. Product specifications are subject to change without notice. The product image shown is representative of entire range.

