

# F93 Series



## Resin-Molded Chip, Standard Tantalum J-Lead



### FEATURES

- Compliant to the RoHS2 directive 2011/65/EU
- SMD J-lead

### APPLICATIONS

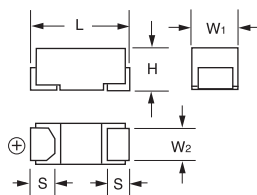
- Low power DC/DC



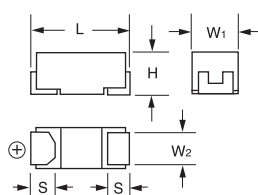
### CASE DIMENSIONS: millimeters (inches)

Code	EIA Code	EIA Metric	L	W <sub>1</sub>	W <sub>2</sub>	H	S
A	1206	3216-18	3.20 ± 0.20 (0.126 ± 0.008)	1.60 ± 0.20 (0.063 ± 0.008)	1.20 ± 0.10 (0.047 ± 0.004)	1.60 ± 0.20 (0.063 ± 0.008)	0.80 ± 0.20 (0.031 ± 0.008)
B	1210	3528-21	3.50 ± 0.20 (0.126 ± 0.008)	2.80 ± 0.20 (0.110 ± 0.008)	2.20 ± 0.10 (0.087 ± 0.004)	1.90 ± 0.20 (0.075 ± 0.008)	0.80 ± 0.20 (0.031 ± 0.008)
C	2312	6032-27	6.00 ± 0.20 (0.236 ± 0.008)	3.20 ± 0.20 (0.126 ± 0.008)	2.20 ± 0.10 (0.087 ± 0.004)	2.50 ± 0.20 (0.098 ± 0.008)	1.30 ± 0.20 (0.051 ± 0.008)
N	2917	7343-30	7.30 ± 0.20 (0.287 ± 0.008)	4.30 ± 0.20 (0.169 ± 0.008)	2.40 ± 0.10 (0.094 ± 0.004)	2.80 ± 0.20 (0.110 ± 0.008)	1.30 ± 0.20 (0.051 ± 0.008)

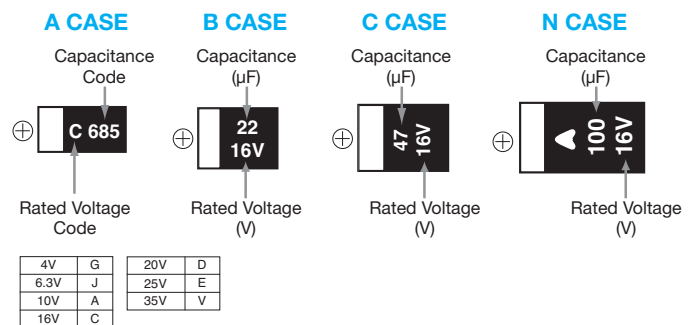
#### A, B CASE



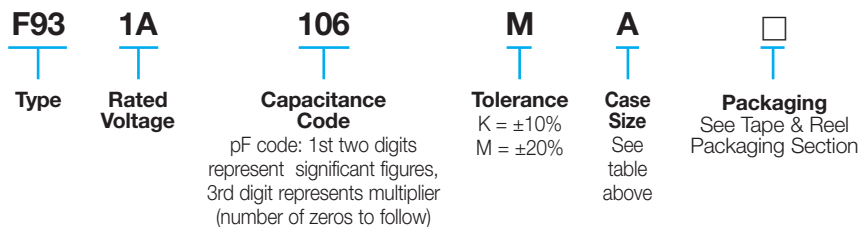
#### C, N CASE



### MARKING



### HOW TO ORDER



### TECHNICAL SPECIFICATIONS

Category Temperature Range:	-55 to +125°C
Rated Temperature:	+85°C
Capacitance Tolerance:	±20%, ±10% at 120Hz
Dissipation Factor:	Refer to next page
ESR 100kHz:	Refer to next page
Leakage Current:	After 1 minute's application of rated voltage, leakage current at 20°C is not more than 0.01CV or 0.5µA, whichever is greater. After 1 minute's application of rated voltage, leakage current at 85°C is not more than 0.1CV or 5µA, whichever is greater. After 1 minute's application of derated voltage, leakage current at 125°C is not more than 0.125CV or 6.3µA, whichever is greater.
Capacitance Change By Temperature	+15% Max. at +125°C +10% Max. at +85°C -10% Max. at -55°C



# F93 Series



## Resin-Molded Chip, Standard Tantalum J-Lead

### CAPACITANCE AND RATED VOLTAGE RANGE (LETTER DENOTES CASE SIZE)

Capacitance		Rated Voltage						
µF	Code	4V (0G)	6.3V (0J)	10V (1A)	16V (1C)	20V (1D)	25V (1E)	35V (1V)
0.68	684							A
1.0	105				A		A	A
1.5	155				A		A	A
2.2	225				A	A	A	A/B
3.3	335				A	A	A	B
4.7	475			A	A	A/B	A/B	B/C
6.8	685			A	A	A/B		C
10	106		A	A	A/B	A/B	B/C	C
15	156		A	A	A/B	C	C	N
22	226	A	A	A/B	A/B/C	B/C	C/N	N
33	336	A	A	A/B	B/C	C/N	N	
47	476	A	A/B	A/B/C	B/C/N	C/N	N	
68	686	A	A/B	B/C	C/N	N*		
100	107	A/B	A/B/C	B/C/N	C/N			
150	157	B	B/C	C/N	N			
220	227	A*/B/C	B/C/N	C/N	N			
330	337	C	C*/N	N				
470	447	N	N					
680	687	N	N*					

Available Ratings

\*Codes under development – subject to change

Please contact to your local AVX sales office when these series are being designed in your application.

# F93 Series



## Resin-Molded Chip, Standard Tantalum J-Lead

### RATINGS & PART NUMBER REFERENCE

AVX Part No.	Case Size	Capacitance (µF)	Rated Voltage (V)	DCL (µA)	DF @ 120Hz (%)	ESR @ 100kHz (Ω)	*1 ΔC/C (%)
<b>4 Volt</b>							
F930G226MAA	A	22	4	0.9	6	2.5	*
F930G336MAA	A	33	4	1.3	8	2.5	*
F930G476MAA	A	47	4	1.9	18	2.5	*
F930G686MAA	A	68	4	2.7	24	2.5	*
F930G107MAA	A	100	4	4.0	30	2.0	*
F930G107MBA	B	100	4	4.0	14	0.9	*
F930G157MBA	B	150	4	6.0	16	0.7	*
F930G227MBA	B	220	4	8.8	18	0.7	*
F930G227MCC	C	220	4	8.8	12	0.7	*
F930G337MCC	C	330	4	13.2	14	0.7	*
F930G477MNC	N	470	4	18.8	16	0.3	*
F930G687MNC	N	680	4	27.2	18	0.3	*
<b>6.3 Volt</b>							
F930J106MAA	A	10	6.3	0.6	6	3.0	*
F930J156MAA	A	15	6.3	0.9	6	2.9	*
F930J226MAA	A	22	6.3	1.4	8	2.5	*
F930J336MAA	A	33	6.3	2.1	8	2.5	*
F930J476MAA	A	47	6.3	3.0	18	2.5	*
F930J476MBA	B	47	6.3	3.0	6	1.0	*
F930J686MAA	A	68	6.3	4.3	20	2.0	*
F930J686MBA	B	68	6.3	4.3	8	1.0	*
F930J107MAA	A	100	6.3	6.3	35	2.0	±15
F930J107MBA	B	100	6.3	6.3	14	0.9	*
F930J107MCC	C	100	6.3	6.3	8	0.7	*
F930J157MBA	B	150	6.3	9.5	18	0.9	*
F930J157MCC	C	150	6.3	9.5	12	0.7	*
F930J227MBA	B	220	6.3	13.9	30	1.2	±15
F930J227MCC	C	220	6.3	13.9	14	0.7	*
F930J227MNC	N	220	6.3	13.9	10	0.5	*
F930J337MNC	N	330	6.3	20.8	14	0.5	*
F930J477MNC	N	470	6.3	29.6	16	0.3	*
<b>10 Volt</b>							
F931A475MAA	A	4.7	10	0.5	6	4.0	*
F931A685MAA	A	6.8	10	0.7	6	3.5	*
F931A106MAA	A	10	10	1.0	6	3.0	*
F931A156MAA	A	15	10	1.5	8	2.9	*
F931A226MAA	A	22	10	2.2	12	2.5	*
F931A226MBA	B	22	10	2.2	6	1.9	*
F931A336MAA	A	33	10	3.3	18	2.5	*
F931A336MBA	B	33	10	3.3	8	1.4	*
F931A476MAA	A	47	10	4.7	40	2.0	±15
F931A476MBA	B	47	10	4.7	8	1.0	*
F931A476MCC	C	47	10	4.7	6	0.9	*
F931A686MBA	B	68	10	6.8	12	0.9	±15
F931A686MCC	C	68	10	6.8	8	0.8	*
F931A107MBA	B	100	10	10.0	18	1.2	±15
F931A107MCC	C	100	10	10.0	10	0.7	*
F931A107MNC	N	100	10	10.0	8	0.6	*
F931A157MCC	C	150	10	15.0	14	0.7	*
F931A157MNC	N	150	10	15.0	10	0.6	*
F931A227MCC	C	220	10	22.0	40	0.9	±15
F931A227MNC	N	220	10	22.0	12	0.5	*
F931A337MNC	N	330	10	33.0	18	0.5	*
<b>16 Volt</b>							
F931C105MAA	A	1	16	0.5	4	7.5	*
F931C155MAA	A	1.5	16	0.5	4	6.0	*
F931C225MAA	A	2.2	16	0.5	4	5.0	*
F931C335MAA	A	3.3	16	0.5	4	4.5	*
F931C475MAA	A	4.7	16	0.8	6	4.0	*
F931C685MAA	A	6.8	16	1.1	6	3.5	*

AVX Part No.	Case Size	Capacitance (µF)	Rated Voltage (V)	DCL (µA)	DF @ 120Hz (%)	ESR @ 100kHz (Ω)	*1 ΔC/C (%)
F931C106MAA	A	10	16	1.6	6	3.0	*
F931C106MBA	B	10	16	1.6	6	2.0	*
F931C156MAA	A	15	16	2.4	10	3.0	*
F931C156MBA	B	15	16	2.4	6	2.0	*
F931C226MAA	A	22	16	3.5	15	3.0	±15
F931C226MBA	B	22	16	3.5	8	1.9	*
F931C226MCC	C	22	16	3.5	6	1.1	*
F931C336MBA	B	33	16	5.3	8	1.9	*
F931C336MCC	C	33	16	5.3	6	1.1	*
F931C476MBA	B	47	16	7.5	16	2.0	±15
F931C476MCC	C	47	16	7.5	8	0.9	*
F931C476MNC	N	47	16	7.5	6	0.7	*
F931C686MCC	C	68	16	10.9	10	0.8	±10
F931C686MNC	N	68	16	10.9	6	0.6	*
F931C107MCC	C	100	16	16.0	15	0.7	±10
F931C107MNC	N	100	16	16.0	10	0.6	*
F931C157MNC	N	150	16	24.0	15	0.6	*
F931C227MNC	N	220	16	35.2	25	0.7	±10
<b>20 Volt</b>							
F931D225MAA	A	2.2	20	0.5	4	5.0	*
F931D335MAA	A	3.3	20	0.7	4	4.5	*
F931D475MAA	A	4.7	20	0.9	6	3.0	*
F931D475MBA	B	4.7	20	0.9	6	2.8	*
F931D685MAA	A	6.8	20	1.4	6	3.5	*
F931D685MBA	B	6.8	20	1.4	6	2.5	*
F931D106MAA	A	10	20	2.0	8	3.5	*
F931D106MBA	B	10	20	2.0	6	2.1	*
F931D156MCC	C	15	20	3.0	6	1.2	*
F931D226MBA	B	22	20	4.4	8	1.9	*
F931D226MCC	C	22	20	4.4	8	1.1	*
F931D336MCC	C	33	20	6.6	8	1.1	*
F931D336MNC	N	33	20	6.6	6	0.7	*
F931D476MCC	C	47	20	9.4	10	1.1	*
F931D476MNC	N	47	20	9.4	8	0.7	*
<b>25 Volt</b>							
F931E105MAA	A	1	25	0.5	4	7.5	*
F931E155MAA	A	1.5	25	0.5	4	6.7	*
F931E225MAA	A	2.2	25	0.6	6	6.3	*
F931E335MAA	A	3.3	25	0.8	6	6.0	*
F931E475MAA	A	4.7	25	1.2	8	4.0	*
F931E475MBA	B	4.7	25	1.2	6	2.8	*
F931E106MBA	B	10	25	2.5	12	1.9	*
F931E106MCC	C	10	25	2.5	6	1.5	*
F931E156MCC	C	15	25	3.8	8	1.2	*
F931E226MCC	C	22	25	5.5	8	1.1	*
F931E226MNC	N	22	25	5.5	6	0.7	*
F931E336MNC	N	33	25	8.3	8	0.7	*
F931E476MNC	N	47	25	11.8	8	0.7	*
<b>35 Volt</b>							
F931V684MAA	A	0.68	35	0.5	4	7.6	*
F931V105MAA	A	1	35	0.5	4	7.5	*
F931V155MAA	A	1.5	35	0.5	6	7.5	*
F931V225MAA	A	2.2	35	0.8	6	7.0	*
F931V225MBA	B	2.2	35	0.8	4	3.8	*
F931V335MBA	B	3.3	35	1.2	4	3.5	*
F931V475MBA	B	4.7	35	1.6	8	3.1	*
F931V475MCC	C	4.7	35	1.6	6	1.8	*
F931V685MCC	C	6.8	35	2.4	6	1.8	*
F931V106MCC	C	10	35	3.5	6	1.6	*
F931V156MNC	N	15	35	5.3	6	0.7	*
F931V226MNC	N	22	35	7.7	8	0.7	*

\*1: ΔC/C Marked “\*”

Item	All Case (%)
Damp Heat	±10
Temperature cycles	±5
Resistance soldering heat	±5
Surge	±5
Endurance	±10

\* In case of capacitance tolerance ± 10% type, “K” will be put at 9th digit of type numbering system

### QUALIFICATION TABLE

TEST	F93 series (Temperature range -55°C to +125°C)	
	Condition	
<b>Damp Heat (Steady State)</b>	At 40°C, 90 to 95% R.H., 500 hours (No voltage applied) Capacitance Change ..... Refer to page 21 (*1) Dissipation Factor ..... Initial specified value or less Leakage Current ..... Initial specified value or less	
<b>Temperature Cycles</b>	-55°C / +125°C, 30 minutes each, 5 cycles Capacitance Change ..... Refer to page 21 (*1) Dissipation Factor ..... Initial specified value or less Leakage Current ..... Initial specified value or less	
<b>Resistance to Soldering Heat</b>	10 seconds reflow at 260°C, 5 seconds immersion at 260°C. Capacitance Change ..... Refer to page 21 (*1) Dissipation Factor ..... Initial specified value or less Leakage Current ..... Initial specified value or less	
<b>Surge</b>	After application of surge voltage in series with a 33Ω resistor at the rate of 30 seconds ON, 30 seconds OFF, for 1000 successive test cycles at 85°C, capacitors shall meet the characteristic requirements in the table above. Capacitance Change ..... Refer to page 21 (*1) Dissipation Factor ..... Initial specified value or less Leakage Current ..... Initial specified value or less	
<b>Endurance</b>	After 2000 hours' application of rated voltage in series with a 3Ω resistor at 85°C, or derated voltage in series with a 3Ω resistor at 125°C, capacitors shall meet the characteristic requirements in the table above. Capacitance Change ..... Refer to page 21 (*1) Dissipation Factor ..... Initial specified value or less Leakage Current ..... Initial specified value or less	
<b>Shear Test</b>	After applying the pressure load of 5N for 10±1 seconds horizontally to the center of capacitor side body which has no electrode and has been soldered beforehand on a substrate, there shall be found neither exfoliation nor its sign at the terminal electrode.	
<b>Terminal Strength</b>	Keeping a capacitor surface-mounted on a substrate upside down and supporting the substrate at both of the opposite bottom points 45mm apart from the center of capacitor, the pressure strength is applied with a specified jig at the center of substrate so that the substrate may bend by 1mm as illustrated. Then, there shall be found no remarkable abnormality on the capacitor terminals.	
<b>Failure Rate</b>	1% per 1000 hours at 85°C, VR with 0.1Ω/V series impedance, 60% confidence level.	

We can supply the type of compliance to AEC-Q200. Please contact to your local AVX sales office when these series are being designed in your application.