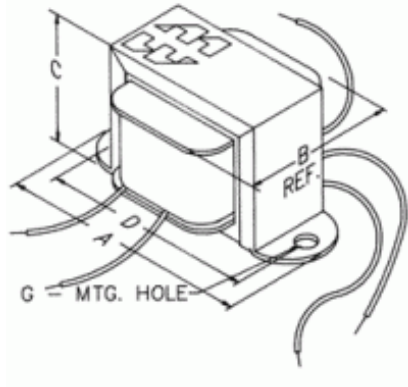


Pulse Open Frame Chassis Mount *612 Series*



Features

- Economical, open style, chassis mount.
- Mounting hole (G) - .187"
- Units are intended for pulse applications including thyristor / triac firing circuits.
- Flexible leads - 4" minimum.



| Part No. | Circuit Ratio | Primary Circuit Maximum (Volts) | Primary ET Constant (uS) | Primary Inductance (mH (min.)) | D.C. Res. (Ohms) | D.C. Winding Resistance | | Max. Primary or Secondary | | Insulation RMS (Volts) | Wt. (Oz.) | Overall Dimensions | | | |
|-------------|---------------|---------------------------------|--------------------------|--------------------------------|------------------|-------------------------|---------------|---------------------------|------------------------|------------------------|-----------|--------------------|------|------|------|
| | | | | | | Sec. 1 (Ohms) | Sec. 2 (Ohms) | Peak Current @ 10% Duty | Peak Current @ 1% Duty | | | A | B | C | D |
| 612G | 1:01 | 600 | 4500 | 6.6 | 0.87 | 0.87 | - | 0.9 A | 2.8 A | 4000 | 8 | 2.06 | 1.25 | 1.19 | 1.75 |
| 612H | 1:1:1 | 600 | 2300 | 1.5 | 0.45 | 0.42 | 0.49 | 0.9 A | 2.8 A | 4000 | 8 | 2.06 | 1.25 | 1.19 | 1.75 |

Data subject to change without notice