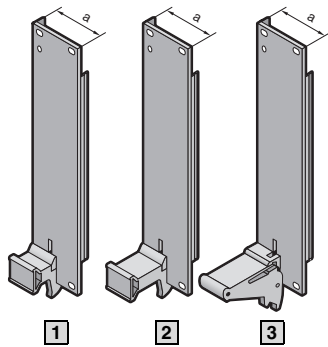


# Accessories for subracks

## Front panels, handles



### U-channel front panels with type I, II extractor handle or type IV injector/extractor handle

Complete modular systems

#### Material:

Front panel: Extruded aluminium section,  
clear chromated  
Handle: Plastic, black

#### Supply includes:

- 1 front panel,
- 2 handles (1 for 3 U),
- 1 EMC gasket, vertical, version 1,
- 1 set of assembly parts,
- 1 PCB holder (for 3 U).



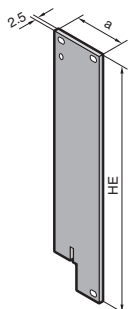
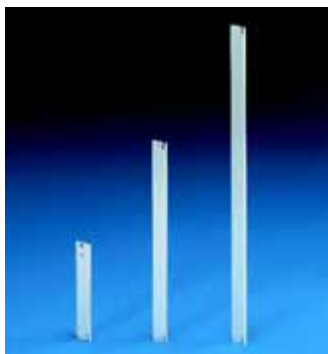
U	HP	a mm	Model No. RP		
			1 Type I	2 Type II	3 Type IV <sup>1)</sup>
3	4	20.0	3684.344	3684.374	3684.413
3	5	25.1	3684.345	3684.375	3684.414
3	6	30.2	3684.346	3684.376	3684.415
3	7	35.3	3684.347	3684.377	3684.416
3	8	40.3	3684.348	3684.378	3684.417
3	10	50.5	3684.349	3684.379	3684.418
3	12	60.7	3684.350	3684.380	3684.419
6	4	20.0	3684.351	3684.381	3684.420
6	5	25.1	3684.352	3684.382	3684.421
6	6	30.2	3684.353	3684.383	3684.422
6	7	35.3	3684.354	3684.384	3684.423
6	8	40.3	3684.355	3684.385	3684.424
6	10	50.5	3684.356	3684.386	3684.425
6	12	60.7	3684.357	3684.387	3684.426
9	4	20.0	–	3684.388	3684.427
9	5	25.1	–	–	3684.428
9	6	30.2	–	–	3684.429
9	7	35.3	–	–	3684.430
9	8	40.3	–	3684.389	3684.431
9	10	50.5	–	–	3684.432
9	12	60.7	–	–	3684.433

<sup>1)</sup> Insertion only in conjunction with front horizontal rails, with 10 mm extension (B), see page 499.

**Detailed drawing,**  
see page 525.

Accessories for subracks

B  
3.5



### Flat front panels for type I, II, IV, IVs or VII handles

#### Material:

2.5 mm aluminium, anodised

HP	a mm	Model No. RP		
		3 U	6 U	9 U
4	20.0	3685.500	3685.508	3685.516
5	25.1	3685.501	3685.509	3685.517
6	30.2	3685.502	3685.510	3685.518
7	35.3	3685.503	3685.511	3685.519
8	40.3	3685.504	3685.512	3685.520
10	50.5	3685.505	3685.513	3685.521
12	60.7	3685.506	3685.514	3685.522

**Detailed drawing,**  
see page 527.



#### Also required:

From front panel widths of 4 HP (at 3 U) and 7 HP (at 6 U):  
Captive screws and plastic collars,  
packs of 100 set, Model No. RP 3658.160,  
see page 576.  
For 3 U front panels:  
PCB holder set, see page 536.

HE = U