



**Door Interlock Switches
Compliant with
EN Standard**

**AV1 (GW)
SWITCHES**



RoHS compliant

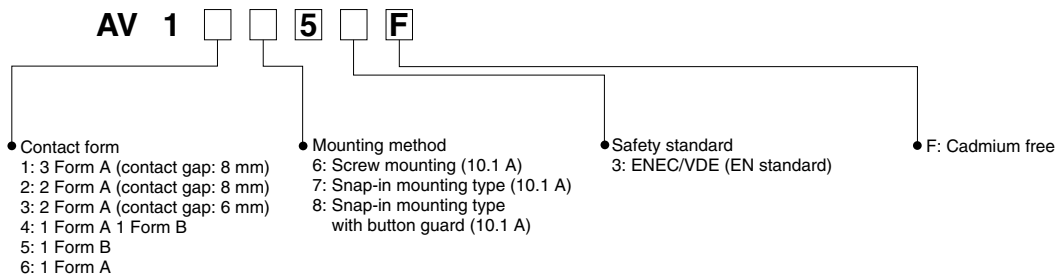
FEATURES

- 8mm or more is assured as insulation distance between contacts (Snap-in mounting 2 Form A and 3 Form A type)
- Insulation distance between open contacts is more than 8 mm, as for the 3 Form A type, the combination of power supply circuit and low voltage circuit is possible.
- Constructed with easy-to-connect terminals .250 Quick-Connect

TYPICAL APPLICATIONS

- Office equipment (Copiers, Facsimiles, Projectors)
- Home appliance (Microwave ovens, Refrigerators)

ORDERING INFORMATION



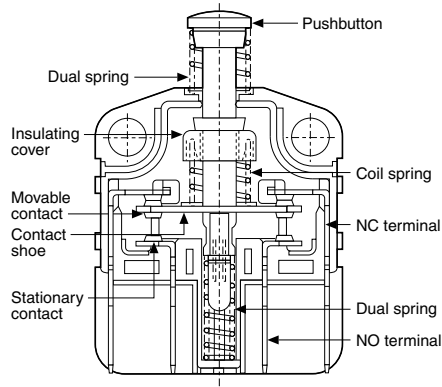
Note: Not every combination is available. Please refer to the following table "PRODUCT TYPES".

PRODUCT TYPES

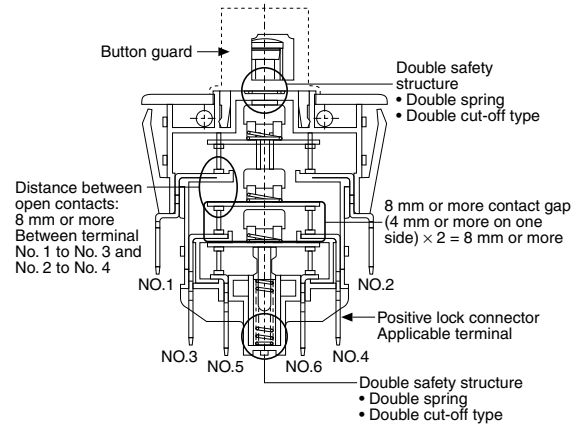
| Type | | | | Part number |
|------------------|----------------------|-------------------|-------------|-------------|
| Mounting method | Button guard | Contact form | Contact gap | |
| Screw mounting | Without button guard | 1 Form A | Min. 6 mm | AV16653F |
| | | 1 Form B | Min. 3 mm | AV15653F |
| | | 1 Form A 1 Form B | Max. 3 mm | AV14653F |
| | | 2 Form A | Min. 6 mm | AV13653F |
| Snap-in mounting | Without button guard | 2 Form A | Min. 8 mm | AV12753F |
| | | 3 Form A | Min. 8 mm | AV11753F |
| | | 2 Form A | Min. 8 mm | AV12853F |
| | With button guard | 2 Form A | Min. 8 mm | AV12853F |
| | | 3 Form A | Min. 8 mm | AV11853F |

CONSTRUCTION

■ Screw mounting 1 Form A 1 Form B type



■ Snap-in mounting 3 Form A type



Method of ordering for safety standard approved products

Compliance criteria for safety standards are listed below.

| Mounting method | Contact form | Part number suffix |
|------------------|---------------------------------------|---|
| | | 3 |
| Screw mounting | 1 Form A, 1 Form B, 1 Form A 1 Form B | ENEC/VDE (EN standard) 10.1A 250V AC 10(3) A 250V ~ |
| | 2 Form A | |
| Snap-in mounting | 2 Form A | |
| | 3 Form A | |

SPECIFICATIONS

■ Contact rating

| Contact voltage | Load style | Resistive load ($\cos \phi \approx 1$) | Motor load* (EN61058-1) ($\cos \phi \approx 0.6$) |
|-----------------|------------|---|--|
| 125V AC | | 10.1A | 3A |
| 250V AC | | 10.1A | 3A |

Note: * The motor load rating is in accordance with EN61058-1 which designates an inrush current switching capability of 6 times the indicating rating.

■ Characteristics

| Item | | Specifications |
|-------------------------------------|---|--|
| Expected life | Mechanical | Min. 10 ⁶ (at 60 cpm) |
| | Electrical | Min. 10 ⁵ (10.1A 250V AC) (at 20 cpm, operating speed: 10mm/sec.) Min. 5 × 10 ⁴ (10(3)A 250V ~) |
| Insulation resistance | | Min. 100MΩ (at 500V DC) |
| Dielectric strength | Between non-continuous terminals | 2,000 Vrms for 1 min. |
| | Between each terminal and other exposed metal parts | 2,500 Vrms for 1 min. |
| | Between each terminal and ground | 2,000 Vrms for 1 min. |
| Contact resistance | | Initial Max. 100mΩ (by voltage drop at 1A 6 to 8V DC) |
| Temperature rise (terminal section) | | Initial Max. 45°C, After test Max. 55°C |
| Vibration resistance | | 10 to 55Hz at double amplitude of 1.5mm (Contact opening Max. 1 msec.) |
| Shock resistance | | Min. 294 m/s ² (Contact opening Max. 1 msec.) |
| Actuator strength | | 49 N for 1 minute (For operating direction) |
| Tensile terminal strength | | Min. 147 N (Pulling for operating direction) |
| Allowable operating speed | | 10 to 300mm/sec. |
| Allowable operating cycle rate | | 60 cpm |
| Cold and heat resistance | | -40°C to -45°C: 48 hours, +80°C to +90°C: 48 hours |
| Ambient temperature | | -25 to +85°C no freezing and condensing |
| Flame retardancy | | Min. UL 94V-1 |
| Tracking resistance (CTI) | | Min. 175 |
| Contact specifications | Contact material | AgCuO alloy |
| Unit weight | | Approx. 14 g |
| Protection grade | | IP40 |

Note: Test condition and judgement are complying with "NECA C4505", "EN61058-1" and "UL1054".

■ Operating characteristics

1) Screw mounting type

| Contact arrangement | Operating Force (OF) Max. | Total operating Force (TF) Max. Pushbutton position: 10mm | Free Position (FP) Max. | Operating Position (OP) | Total Travel Position (TTP) | Over Travel (OT) Min. |
|---------------------|---------------------------|---|-------------------------|---------------------------------|-----------------------------|-----------------------|
| 1 Form A | (NO contact to ON) 4.9N | 6.4N | 16.6 mm | (NO contact to ON) 12.7±0.4 mm | 10 mm | 2.1 mm |
| 1 Form B | (NC contact to OFF) 2.9N | 7.4N | 15.3 mm | (NC contact to OFF) 14.9±0.4 mm | 10 mm | 4.3 mm |
| 1 Form A 1 Form B | (NO contact to ON) 5.9N | 7.4N | 15.3 mm | (NO contact to ON) 12.7±0.4 mm | 10 mm | 2.1 mm |
| 1 Form A 1 Form B | (NC contact to OFF) 2.9N | 7.4N | 15.3 mm | (NC contact to OFF) 14.9±0.4 mm | 10 mm | 2.1 mm |
| 2 Form A | (NO contact to ON) 7.8N | 9.8N | 16.6 mm | (NO contact to ON) 12.7±0.4 mm | 10 mm | 2.1 mm |

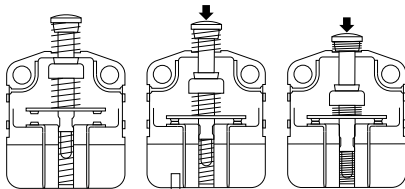
2) Snap-in mounting type

| Contact arrangement | Operating Force (OF) Max. | Total operating Force (TF) Max. Pushbutton position: 10mm | Free Position (FP) Max. | Operating Position (OP) | Total Travel Position (TTP) | Over Travel (OT) Min. |
|---------------------|---------------------------|---|-------------------------|-------------------------------|-----------------------------|-----------------------|
| 2 Form A | (NO contact to ON) 7.8N | 9.8N | 14 mm | (NO contact to ON) 9.3±0.4 mm | 7.5 mm | 2.1 mm |
| 3 Form A | (NO contact to ON) 9.8N | 14.7N | 14 mm | (NO contact to ON) 9.3±0.4 mm | 7.5 mm | 2.1 mm |

CONTACT OPERATION CHART

■ 1 Form A type

1. Free position 2. Operating position 3. Total travel position



DIMENSIONS

(Unit: mm) General tolerance: ±0.4

The CAD data of the products with a **CAD Data** mark can be downloaded from: <http://industrial.panasonic.com/ac/e/>

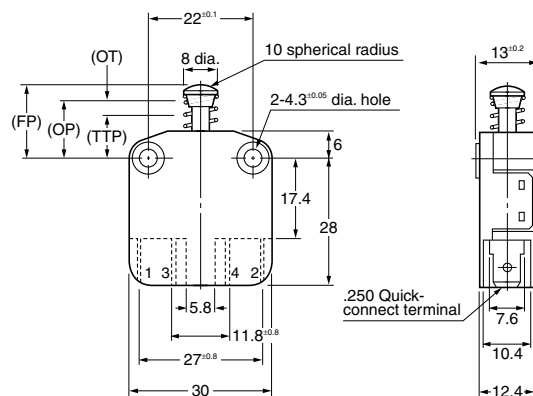
■ Screw mounting type

1 Form A, 1 Form B, 1 Form A 1 Form B type

CAD Data



External dimensions



Contact gap

- 1 Form A: Min. 6mm
- 1 Form B: Min. 3mm
- 1 Form A 1 Form B: Max. 3mm

Note: Terminal no. 3 & 4 are for 1 Form A type.
Terminal no. 1 & 2 are for 1 Form B type.

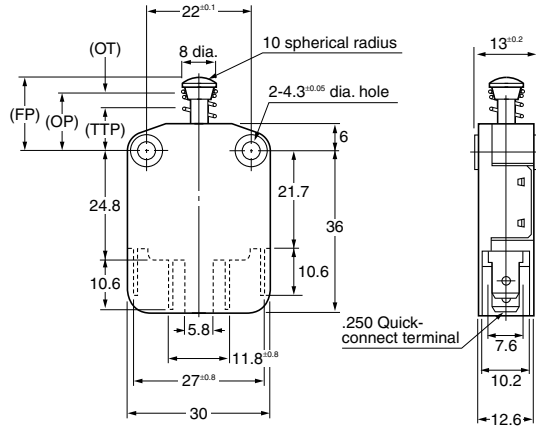
AV1 (GW) Interlock Switches

2 Form A type

CAD Data



External dimensions



Contact gap
2 Form A: Min. 6mm

■ Snap-in mounting type

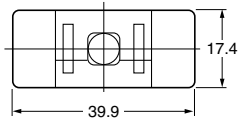
2 Form A type

CAD Data

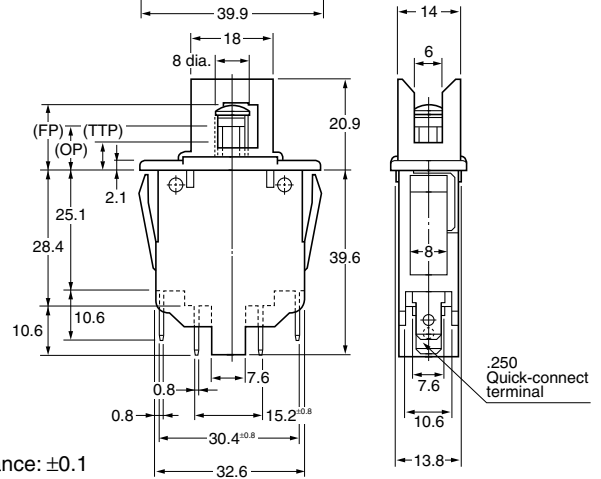
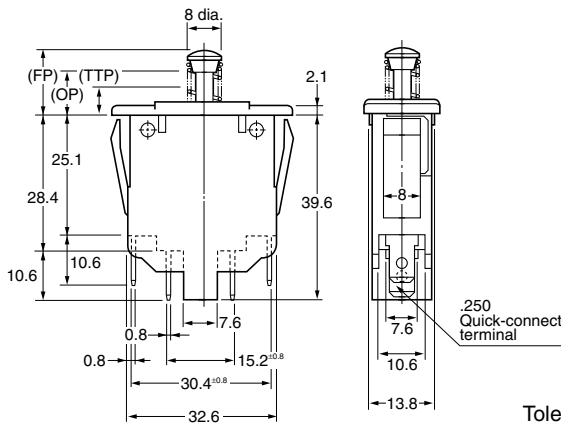
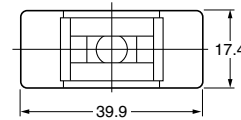


External dimensions

2 Form A type without button guard

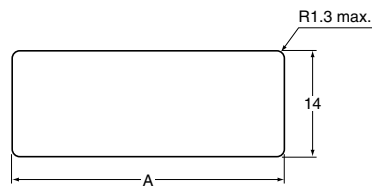


2 Form A type with button guard



Tolerance: ±0.1

Recommended panel opening dimensions (common)



| Panel thickness | 1.0 | 2.5 |
|-----------------|------|------|
| Dimension A | 36.7 | 37.7 |

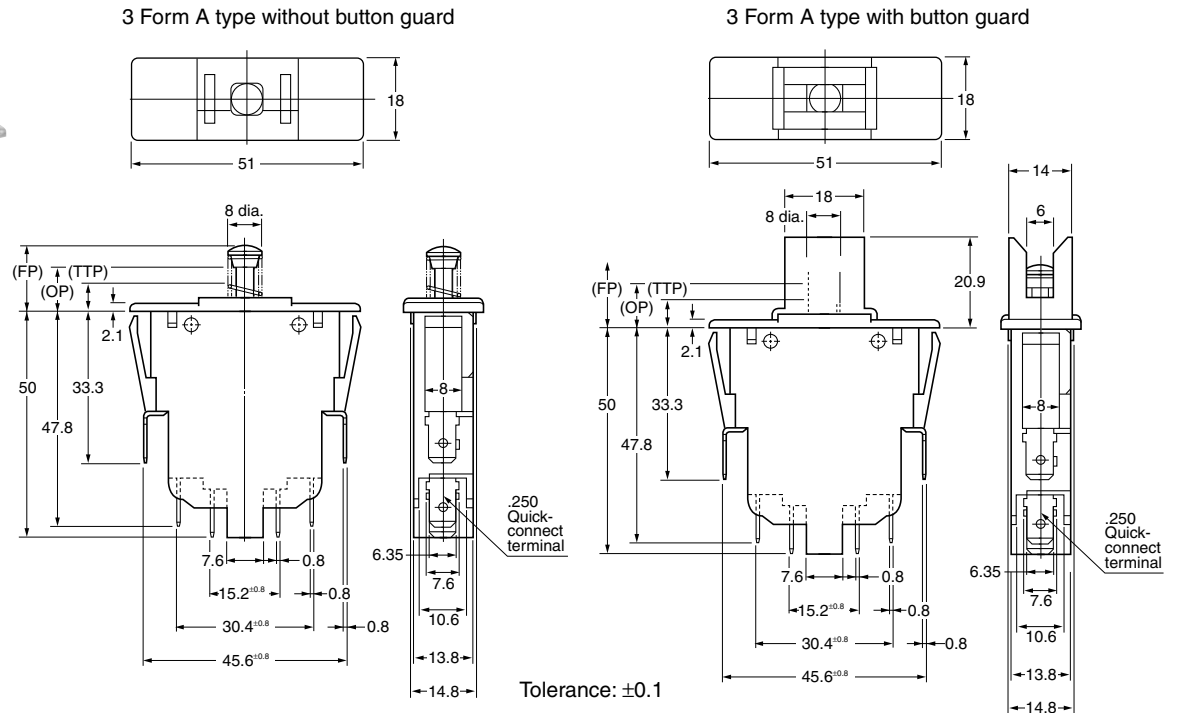
Contact gap
2 Form A: Min. 8mm

3 Form A type

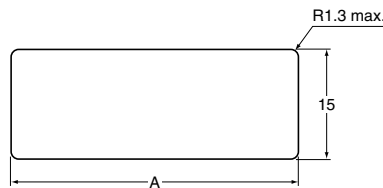
CAD Data



External dimensions



Recommended panel opening dimensions (common)



| Panel thickness | 1.0 | 2.5 |
|-----------------|------|------|
| Dimension A | 47.0 | 47.3 |

Contact gap
3 Form A: Min. 8mm

CAUTIONS FOR USE

Switch mounting

(Screw mounting type)

1) Mount the switch to a smooth surface using M4 screws. Tighten the screws with 0.3 to 0.5 N·m torque. To prevent loosening of the mounting screws, it is recommended that spring washers be used in combination with adhesive material for locking the screws.

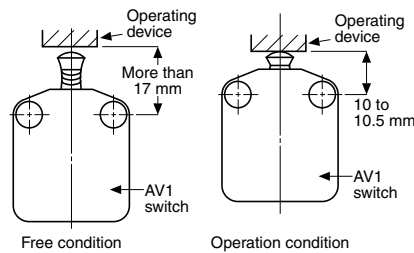
(One-touch mounting type)

Mount on cut panel shapes with dimensions shown in the drawing.

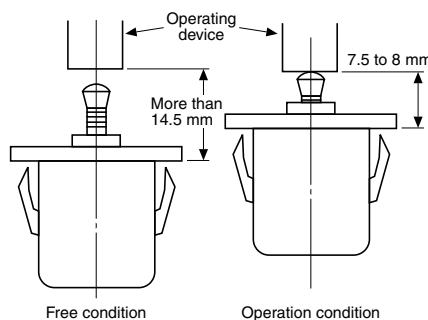
If you are considering panels that fall outside recommended shapes and dimensions, please contact us.

2) With respect to the position of the operating device and the switch body, set the position as indicated in the condition. If this condition is exceeded, the mechanical and electrical performance will be impaired. In addition, the force applied by the operating device should be in a perpendicular direction. Even if the pushbutton is used in the full total travel position (OT), there will be no influence on the life of the switch.

(Screw mounting type)



(Snap-in mounting type)



Connection method

With respect to the terminal connections, it is recommended that receptacles with insulating sleeves, easy lock connectors or positive lock connectors be used. Also, consideration should be given to the wiring not to apply force to the terminal section normally.

Operation speed

In perpendicular operation, avoid using operating speeds beyond range of 10 to 300 mm/sec.

Environment

Avoid using and storing these switches in a location where they will be exposed to corrosive gases, silicon, or high dust levels, all of which can have an adverse effect on the contacts.

Technical Terminology & Cautions for Use

(Snap-action, Detection and Interlock Switches)

TECHNICAL TERMINOLOGY

■ Snap-action switches

A compact switch equipped with an enclosed micro-gap snap-action contact mechanism that makes a specified motion with a specified force to open/close a circuit, and an actuator outside the enclosure (hereinafter referred to as the switch)

■ Actuator

A part of the switch that transmits the received external force to an internal spring mechanism to move the movable contact so that the switch can be opened and closed

■ Actuator stopper

A part of the switch to limit the actuator movement in the switch operation direction

■ Rated values

Values indicating the characteristics and performance guarantee standards of the snap-action switches. The rated current and rated voltage, for instance, assume specific conditions (type of load, current, voltage, frequency, etc.).

■ Mechanical life

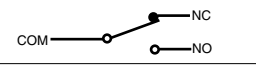

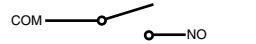
The service life when operated at a preset operating frequency without passing electricity through the contacts. (The life test is performed at a switching frequency of 60 times/minute and operating speed of 100 mm/second at the regular cam.)

■ Electrical life

The service life when the rated load is connected to the contact and switching operations are performed. (The life test is performed at a switching frequency of 20 times/minute and operating speed of 100 mm/second at the regular cam.)

■ Contact form

This refers to the components determining the type of application which make up the electrical input/output circuits in the contact.

| | |
|---------|---|
| SPDT |  |
| SPST-NC |  |
| SPST-NO |  |

Terminal symbols

COM: Common terminal

NC: Normally closed terminal

NO: Normally open terminal

■ Insulation resistance

Resistance between non-continuous terminals, each terminal and other exposed metal parts and between each terminal and ground.

■ Dielectric

Threshold limit value that a high voltage can be applied to a predetermined measuring location for one minute without causing damage to the insulation.

■ Contact resistance

This indicates the electrical resistance at the contact part. Generally, this resistance includes the conductor resistance of the spring and terminal portions.

■ Vibration resistance

Malfunction vibration ... Vibration range where a closed contact does not open for longer than a specified time due to vibrations during use of the snap-action switches.

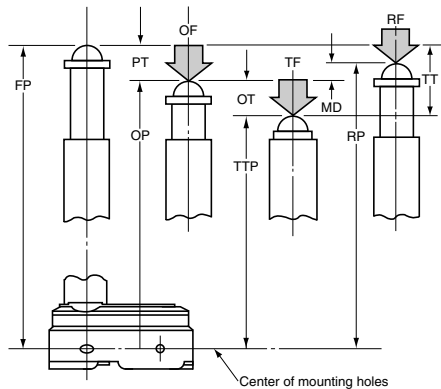
■ Shock resistance

Shock durability ... Shock range where the mechanical shocks received during snap-action switches transport and installation do not damage the parts or harm the operating characteristics. Malfunction shock ... Shock range where a closed contact does not open for longer than a specified time due to shocks during use of the snap-action switches.

OPERATING CHARACTERISTIC

Definition of operating characteristic

The main terminological illustrations and meanings which are used with snap-action switches are as follows.



| Classification | Terminology | Symbol | Unit | Varying display method | Starting current |
|----------------|-----------------------|--------|------------|------------------------|---|
| Force | Operating Force | OF | N | Max. | The force required to cause contact snap-action. It is expressed in terms of force applied to the actuator. |
| | Release Force | RF | N | Min. | The force to be applied to the actuator at the moment contact snaps back from operated position to total travel position. |
| | Total travel Force | TF | N | | Force applied to an actuator required to move from an operating position to a total travel position |
| Movement | Pretravel | PT | mm, degree | Max. | Distance or degree of the actuator movement from free position to operating position. |
| | Overtravel | OT | mm, degree | Min. | The distance or degree which the actuator is permitted to travel after actuation without any damage to the switching mechanism. |
| | Movement Differential | MD | mm, degree | Max. | The distance or degree from operating position to release position of the actuator. |
| | Total travel | TT | mm, degree | | The migration length or the move angle from the free position to total travel position of actuator |
| Position | Free Position | FP | mm, degree | | Position of the actuator when no force is applied to. |
| | Operating Position | OP | mm, degree | ± | The position of the actuator when the traveling contacts snaps with the fixed contact. |
| | Release Position | RP | mm, degree | | The position of the actuator when the traveling contact snaps back from operating position to its original position. |
| | Total travel Position | TTP | mm, degree | | The stopping position of the actuator after total travel. |

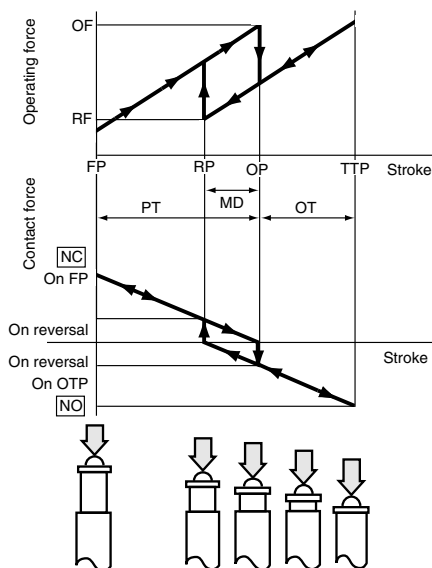
TECHNICAL NOTES ON MECHANICAL CHARACTERISTICS

Actuation Force and Stroke

Adequate stroke setting is the key to high reliability. It is also important that adequate contact force be maintained to ensure high reliability. For a normally closed (NC) circuit, the driving mechanism should be set so that the actuator is normally in the free position. For a normally open (NO) circuit, the actuator should be pressed to 70% to 100% of the specified stroke to absorb possible errors.

If the stroke is set too close to the operating point (OP), this may cause unstable contact, and in the worst case may cause actuator damage due to inertia of the drive mechanism. It is advisable that the stroke be adjusted with the mounting plate or driving mechanism.

The figure at right shows a typical example of activation and contact forces varying with stroke. In the vicinity of the OP and RP, the contact force is diminished, causing chatter and contact bounce immediately before or after reversal. For this reason, use the switch while giving due consideration to this. This also causes the snap action switch to be sensitive to vibration or shock.



Changes in Operating Characteristics

Exercise design care so that malfunctions will not occur if the operating characteristics vary by as much as 20% from, rated values.

<Example>

In the OF max. 0.98N specification for FS snap-action switches, the allowable max. is $0.98 \text{ N} \times (100\% + 20\%) = 1.18 \text{ N}$

In the RF min. 0.15 N min. specification

the allowable min. $0.15 \text{ N} \times (100\% - 20\%) = 0.12 \text{ N}$

Mechanical Conditions for Type Selection

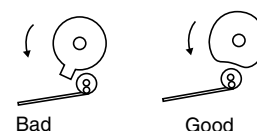
Actuator type should be selected according to activation method, activation speed, activation rate, and activation frequency.

- 1) An extremely slow activation speed may cause unstable contact transfer, possibly resulting in contact failures or contact fusion.
- 2) An extremely high activation speed may cause damage to contacts or contact response failure.

Driving Mechanism

Use of a driving mechanism which will cause physical impact to the actuator should be avoided.

<Example>



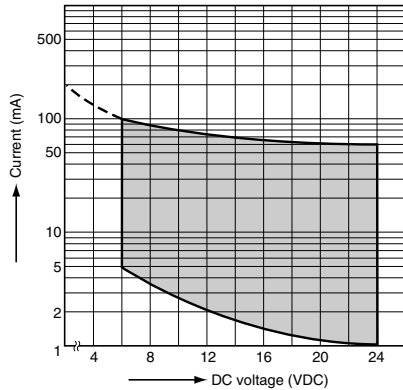
TECHNICAL NOTES ON ELECTRICAL CHARACTERISTICS

1) The snap-action switch is designed for AC operations. While it has small contact gaps and no arc absorber, it may be used for low-capacity DC operations.

Please refer to the rating of each products

2) For applications with very small switching voltage or current, choose the low-level load type (Au contact).

Small current and voltage application range (Au contact)



3) When selecting a contact type of a snap-action switch to be used for low-level load switching, the following should be noted. Silver contacts' surfaces are prone to be oxidized and form a sulfide film. The switch operates with no problems at the

beginning of use. However, as the contact surfaces develop films with time, the film may not be broken by the switching operation, causing a conduction failure. Therefore, please choose the Au contact type for switching a load of 0.1 A or below.

4) Application to Electronic Circuits

- The snap-action switch contacts can sustain bounce or chatter when closed. Bounce or chatter can cause noise or pulse count errors when the snap action switch is used in electronic circuits.

- If contact bounce or chatter poses problems in the vicinity of the OP and RP, use a suitable absorption network, such as a C/ R network.

5) Check the surge current, normal current and surge duration.

6) Contact resistance given in performance specifications is measured with a voltage drop method using 6 to 8 V DC, 1 A (except for low-level load type). Contact resistance across COM and NC terminals is measured in the free position, while contact resistance across COM and NO terminals is measured in the total travel position.

7) Ratings are measured under the following conditions:

Inductive load: Power factor 0.6 to 0.7

Time constant: 7 ms or less (DC)

8) To prevent contact welding failure, be sure to use a serial resistance for each capacitive load.

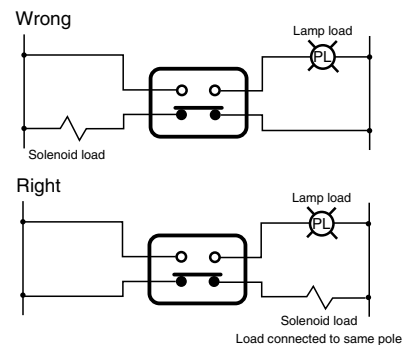
9) If snap-action switch operation is synchronized with the AC supply phase, this may cause: shortened electrical life, contact fusion failure, contact transfer, or other reliability problems.

CAUTIONS IN A CIRCUIT

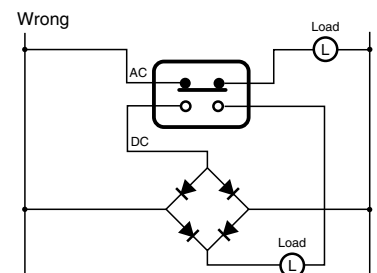
1) Contact protection is recommended when snap-action switches are used in an inductive load circuit.

| Circuit diagram | Cautions for use |
|-----------------|--|
| | (1) $r =$ more than 10Ω (2) In an AC circuit Impedance of R is to be slightly smaller than impedance of r and c. |
| | Can be used for both AC and DC. Impedance of r is nearly equal to impedance of R. C: $0.1 \mu\text{F}$ |
| | (1) For DC circuits only. |
| | Can be used for both AC and DC. |

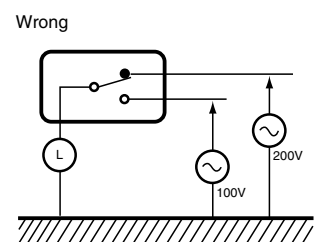
2) Do not connect the contacts on individual switches to different type or different poles of the power supply. Examples of power supply connections (connection to different poles)



Example of wrong power supply connection (connection to different poles of power supply)
 This may lead to mixed DC and AC.



3) Avoid circuits which apply voltage between contacts. (This may lead to mixed deposition.)



MOUNTING STATE AND ENVIRONMENT

■ Checking the insulation distance

After mounting and wiring, check the insulation distance between terminals and the ground. If the insulation distance is inadequate, mount insulating material between as required.

■ Fastening the snap-action switch body

See the Section "CAUTIONS FOR USE" for the individual switch.

■ Position adjustment with effector

- 1) The effector should be positioned so that direct force is not applied to the plunger or actuator in its free position. The operating force to the plunger should only be applied in a perpendicular direction.
- 2) Note that the use of the switch as a stopper may cause an operational problem.

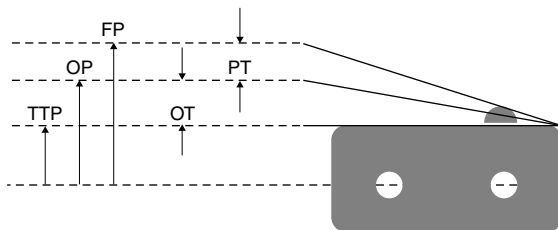
■ Switch installation position

- Basically, the switch should be installed so that the object to press the switch's plunger or lever can press it down to 70 to 100% of OT of the switch. When determining the position, the tolerance of OP (Operating Position) and other factors should be taken into account.

The following describes the case where the strictest tolerance conditions are adopted.

- Example: Hinge lever type FS switch

Reference values: OP = 8.8 ± 0.8 mm
 PT = max. 2.8mm
 OT = min. 1.2mm



- (1) When the switch is not pressed
 The object to press the lever should not be in contact with the lever.
 For this purpose, the object should be at a distance from the switch fater than the maximum FP (Free Position) value.
 $FP \text{ max} = OP \text{ max} + PT \text{ max} = 9.6 + 2.8 = 12.4 \text{ mm max}$
 The object should be at a distance of 12.4 mm or more from the mounting hole.
- (2) Depressed position
 The plunger/lever should be pressed down to 70% or more of OT (Over Travel). Therefore, the depressed position should be calculated based on the minimum value of OP (Operating Position) and the 70 and 100% of the OT value.
 $OP \text{ min} - 70\% \text{ of OT} = 8.0 - 0.84 = 7.16 \text{ mm}$
 $OP \text{ min} - 100\% \text{ of OT} = 8.0 - 1.2 = 6.80 \text{ mm}$
 The plunger/lever should be pressed down to the position of 6.80 to 7.16 mm from the mounting hole.

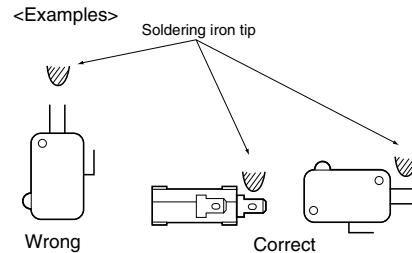
■ Soldering precautions

For manual soldering, lay the terminals flat (horizontal with the ground) and quickly perform the soldering operation using a soldering iron with the appropriate heat capacity and the proper amount of solder. Take care that the flux does not flow into the switch interior by using a ventilation fan to discharge flux gas and to prevent contact of the switch body with the soldering iron tip.

Be careful not to apply force to the lead wires or the terminal portions immediately after soldering.

The temperature setting and time conditions vary depending on the product.

See the section "CAUTIONS FOR USE" for each product.



■ Avoid using in a silicon atmosphere

Avoid using organic silicon rubber, adhesives, sealing compounds, oil, grease, and wires in a silicon atmosphere.

■ Please consult us when using under the following conditions*:

- 1) Environments where hydrogen sulfide or other corrosive gases are present.
- 2) Environments where gasoline, thinner or other flammable, explosive gases are present.
- 3) Dusty environments (for non-seal type snap action switches).
- 4) The perpendicular operating speed exceeds the allowable operating speed.
- 5) Switching between different poles.
- 6) Use in environments not in the prescribed temperature or humidity range.

■ Storage precautions

To prevent discoloration due to sulfurization of the terminals (silver-plated), store the switches in a polyethylene bag or other suitable airtight container.

■ Usage, storage, and transport conditions

During usage, storage, or transportation, avoid locations subject to direct sunlight and maintain normal temperature, humidity, and pressure conditions.

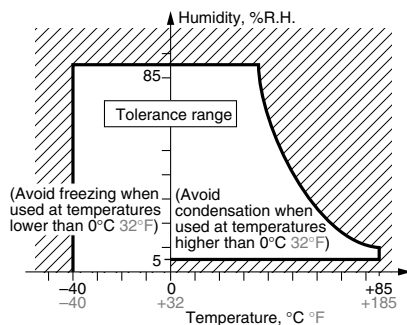
The allowable specifications for environments suitable for usage, storage, and transportation are given below.

1) Temperature: The allowable temperature range differs for each switch, so refer to the switch's individual specifications. In addition, when transporting or storing switches while they are tube packaged, there are cases when the temperature may differ from the allowable range. In this situation, be sure to consult the individual specifications.

2) Humidity: 5 to 85% R.H.

3) Pressure: 86 to 106 kPa

The humidity range varies with the temperature. Use within the range indicated in the graph below.



(The allowable temperature depends on the switch.)

- Condensation will occur inside the switch if there is a sudden change in ambient temperature when used in an atmosphere of high temperature and high humidity. This is particularly likely to happen when being transported by ship, so please be careful of the atmosphere when shipping. Condensation is the phenomenon whereby steam condenses to cause water droplets that adhere to the switch when an atmosphere of high temperature and humidity rapidly changes from a high to low temperature or when the switch is quickly moved from a low humidity location to one of high temperature and humidity. Please be careful because condensation can cause adverse conditions such as deterioration of insulation, coil cutoff, and rust.
- Condensation or other moisture may freeze on the switch when the temperatures is lower than 0°C 32°F. This causes problems such as sticking of movable parts or operational time lags.
- The plastic becomes brittle if the switch is exposed to a low temperature, low humidity environment for long periods of time.
- Storage for extended periods of time (including transportation periods) at high temperatures or high humidity levels or in atmospheres with organic gases or sulfide gases may cause a sulfide film or oxide film to form on the surfaces of the contacts and/or it may interfere with the functions. Check out the atmosphere in which the units are to be stored and transported.
- In terms of the packing format used, make every effort to keep the effects of moisture, organic gases and sulfide gases to the absolute minimum.

■ We reserve the right to modify without notice the materials, internal components, and other parts to improve product quality.

■ Handling precautions

When handling the switches, be careful not to drop them on the floor since this may damage them.

* Select contact sulfurization (clipping) prevention products (FS and Au-clad double layer contacts) for use with extremely small loads or an environment-resistant Turquoise switch.





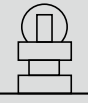



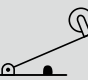
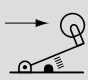

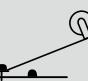

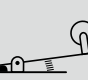

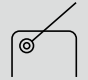
■ Others

1) Failure modes of switches include short-circuiting, open-circuiting and temperature rises. If this switch is to be used in equipment where safety is a prime consideration, examine the possible effects of these failures on the equipment concerned, and ensure safety by providing protection circuits or protection devices. In terms of the systems involved, make provision for redundancy in the design and take steps to achieve safety design.

2) The ambient operating temperature (and humidity) range quoted is the range in which the switch can be operated on a continuous basis: it does not mean that using the switch within the rating guarantees the durability performance and environment withstanding performance of the switch. For details on the performance guarantee, check the specifications of each product concerned.

Technical Terminology & Cautions for Use

■ Types of actuators

| Shape | Classification | Pretravel (PT) | Overtravel (OT) | Operating Force (OF) | Vibration Shock | Features | |
|--|--|----------------|-----------------|----------------------|-----------------|---|--|
|  | Pin plunger | Small | Small | Large | Out-standing | Appropriate for linear short-stroke action. Pin plunger acts directly on snap action mechanism, enabling high-precision positioning. Amount of movement after operation is smallest among all of the actuators, however, so reliable stopper is required. | |
|  | Spring small plunger | Small | Medium | Large | Excellent | Used in much the same way as the pin plunger, but is easier to use because the amount of movement after operation is larger. | |
|  | Spring short plunger | Small | Medium | Large | Good | Pin plunger is short, with large plunger diameter that makes centering easier. Like small spring plunger, amount of movement after operation is large. | |
|  | Panel attachment plunger | Small | Large | Large | Good | Secured to panel with hex or lock nut; used as manual or mechanical plunger. Amount of movement after operation is extremely large and operation point can be adjusted by changing attachment position. Can be used in combination with low-speed cam. | |
|  | Panel attachment roller plunger | Small | Large | Large | Possible | This is the panel attachment type with a roller, and can be used with fast-moving cams and dogs.. | |
|  | Hinge lever | Large | Medium | Small | Possible | Little force required for operation. Appropriate for use with low-speed cams and dogs; has large stroke. Lever available in various shapes to fit operating unit. | |
|  | Simulated roller lever | Large | Medium | Small | Possible | Tip of hinge lever is bent into a semi-circle, enabling use as a simple roller type. | |
|  | Leaf lever | Large | Large | Small | Excellent | Play in lever is used to assure maximum stroke. Construction provides for space where lever is attached, for outstanding resistance to freezing. | |
|  | Hinge roller lever | Large | Medium | Small | Possible | This is a hinge lever with a roller, and can be used with high-speed cams and dogs. The force required for pin plunger action is lighter than that of the lever, and the stroke is longer. | |
|  | One way action hinge roller lever | Medium | Medium | Medium | Possible | This is hinge roller lever type, and can operate in relation to an operating unit from a one way direction, but the roller is bent from the opposite direction and cannot move. This can be used to prevent reverse-direction action. | |
|  | Leaf spring | Medium | Medium | Medium | Good | This has a leaf spring with offset yield force and has a large stroke. Ideal for driving low-speed cams and cylinders. Fulcrum is fixed for high precision. To prevent leaf damage, movement after operation must be within specified value. | |
|  | Roller leaf spring | Medium | Medium | Medium | Good | This is a leaf spring with a roller, and can be used with high-speed cams. | |
|  | (OC reversed action groove type) Reverse-action hinge lever | Large | Small | Medium | Excellent | This is used for low-speed, low-torque cams. The lever comes in various shapes to fit the operating body. | The plunger is constantly pressed down by a coiled spring, and operating the lever induces reverse action. Because the plunger is depressed when not engaged, vibration and shock resistance are excellent. Pressing the plunger too far does not cause abnormal force to be applied to the switch mechanism, so a stable service life is assured. |
|  | (OC reversed action groove type) Reverse-action hinge roller lever | Medium | Medium | Medium | Excellent | This is a reverse-action hinge lever with a roller and is appropriate for cam operation. Excellent resistance to vibration and impact when not engaged. | |
|  | (OC reversed action groove type) Reverse-action hinge roller short lever | Small | Medium | Large | Excellent | This is a shorter version of the reverse-action hinge lever with a roller and has a larger action force, but is appropriate for cam operation with a short stroke. Excellent resistance to vibration and impact when not engaged. | |
|  | Rotating-action type | Large | Large | Small | Possible | This is a rotating, light-action type that is ideal for detecting paper, coins, and similar objects. | |