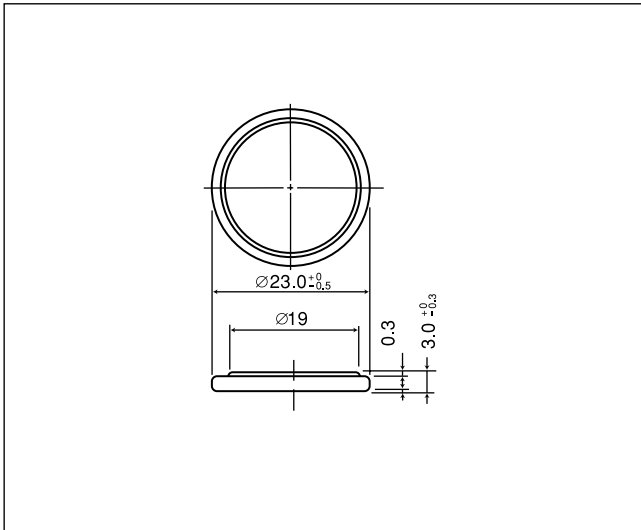


CR2330

■ Dimensions(mm)



■ Specification

| | |
|---------------------------|------------|
| Nominal voltage(V) | 3 |
| Nominal capacity(mAh) | 265 |
| Continuous drain(mA) | 0.2 |
| Operating temperature(°C) | -30 to +60 |

■ Discharge temperature characteristics



■ Operating voltage vs. load resistance(voltage at 50% discharge depth)

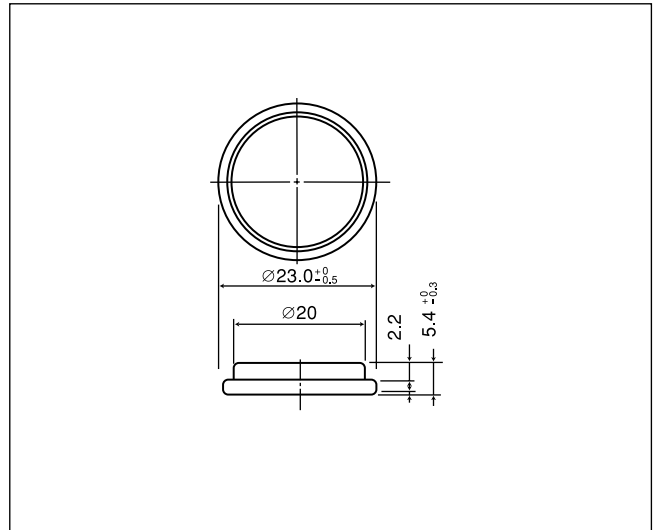


■ Capacity vs. load resistance



CR2354

■ Dimensions(mm)



■ Specification

| | |
|---------------------------|------------|
| Nominal voltage(V) | 3 |
| Nominal capacity(mAh) | 560 |
| Continuous drain(mA) | 0.2 |
| Operating temperature(°C) | -30 to +60 |

■ Discharge temperature characteristics



■ Operating voltage vs. load resistance(voltage at 50% discharge depth)



■ Capacity vs. load resistance

