

PLEASE CHECK WWW.MOLEX.COM FOR LATEST PART INFORMATION

Part Number: [0513460800](#)
Status: **Active**
Description: 3.30mm Pitch Wire-to-Wire Plug Housing, Positive Lock, Dual Row, 8 Circuits

Documents:

[3D Model](#) [Product Specification PS-51347-001-001 \(PDF\)](#)
[Drawing \(PDF\)](#) [RoHS Certificate of Compliance \(PDF\)](#)

General

Product Family Crimp Housings
 Series [51346](#)
 Application Signal, Wire-to-Wire
 Product Name N/A
 UPC 800756598949

Physical

Circuits (maximum) 8
 Color - Resin Natural
 Gender Male
 Glow-Wire Compliant No
 Lock to Mating Part Yes
 Material - Resin Nylon
 Net Weight 2200.000/mg
 Number of Rows 2
 Packaging Type Bag
 Panel Mount No
 Pitch - Mating Interface 3.30mm
 Polarized to Mating Part Yes
 Stackable No
 Temperature Range - Operating -25°C to +85°C

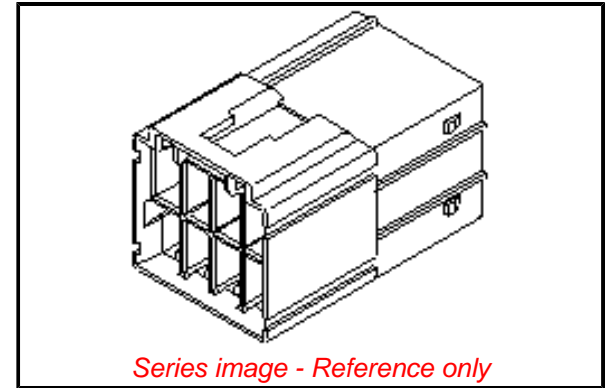
Electrical

Current - Maximum per Contact 4.0A

Material Info

Reference - Drawing Numbers

Product Specification [PS-51347-001-001](#)
 Sales Drawing [SD-51346-001](#)



EU ELV

Not Relevant

EU RoHS

Compliant

REACH SVHC

Not Contained Per -
 ED/21/2016 (20 June
 2016)

Halogen-Free

Status

Low-Halogen

**Need more information on product
 environmental compliance?**

Email productcompliance@molex.com
 Please visit the [Contact Us](#) section for any
 non-product compliance questions.

China ROHS

ELV

RoHS Phthalates

Green Image

Not Relevant

Not Contained

Search Parts in this Series

[51346 Series](#)

Mates With

[51347-0800](#)

Use With

[51348](#) , [56265](#)