


CAMBLOCK PLUS

5.08mm Inverted/Reverse Terminal Blocks

- Horizontal & vertical orientations
- Polarized moldings
- Dual low pins for extra stability
- Also available in 5mm pitch
- Also match able with CTBP9308 and 358 headers
- Molded in green UL94-V0 flame retardant PA 66
- 1.5mm² (28-14AWG)
-  approved

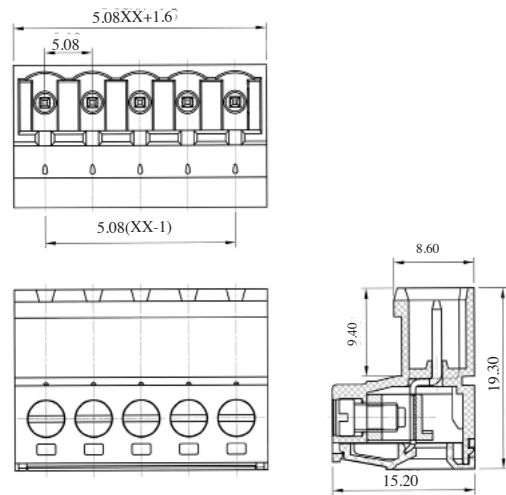
SPECIFICATION

Rating	UL=15A/300V
Insulation resistance	500MΩ/500V
Withstand Voltage	AC2000V/1min
Contact Resistance	20mΩ (max)
Working Temperature	-40°C to 105+°C
Mouldings	UL94-V0 Flame retardant PA66
Pin/Terminal	Brass, Tin plated
Rising Clamp	Brass, nickel plated
Screw/Torque	M3 Steel, zinc plated 0.5Nm
Recommended PCB hole size	ø1.4mm

Male Connector

TYPE NO.	POLES	LENGTH
CTBP96HJ/2	2	11.8mm
CTBP96HJ/3	3	16.8mm
CTBP96HJ/4	4	21.9mm
CTBP96HJ/5	5	27.0mm
CTBP96HJ/6	6	32.1mm
CTBP96HJ/7	7	37.2mm
CTBP96HJ/8	8	42.2mm
CTBP96HJ/9	9	47.3mm
CTBP96HJ/10	10	52.4mm
CTBP96HJ/11	11	57.5mm
CTBP96HJ/12	12	62.6mm

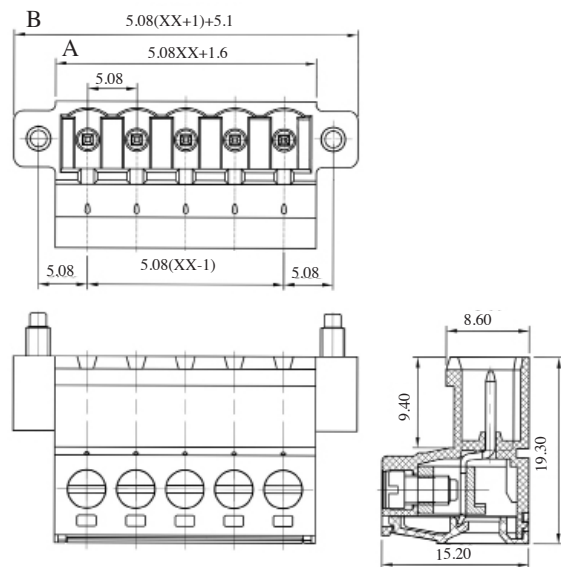
CTBP96HJ



Male Connector, Flanged

TYPE NO.	POLES	LENGTH A	LENGTH B
CTBP96HJ/2FL	2	1.8mm	20.3mm
CTBP96HJ/3FL	3	16.8mm	25.4mm
CTBP96HJ/4FL	4	21.9mm	30.5mm
CTBP96HJ/5FL	5	27.0mm	35.6mm
CTBP96HJ/6FL	6	32.1mm	40.7mm
CTBP96HJ/7FL	7	37.2mm	45.7mm
CTBP96HJ/8FL	8	42.2mm	50.8mm
CTBP96HJ/9FL	9	47.3mm	55.9mm
CTBP96HJ/10FL	10	52.4mm	61.0mm
CTBP96HJ/11FL	11	57.5mm	66.1mm
CTBP96HJ/12FL	12	62.6mm	71.1mm

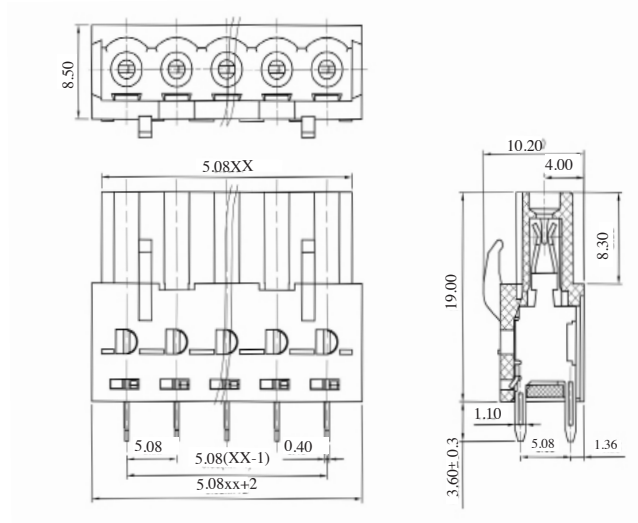
CTBP96HJ/FL



CAMBLOCK PLUS

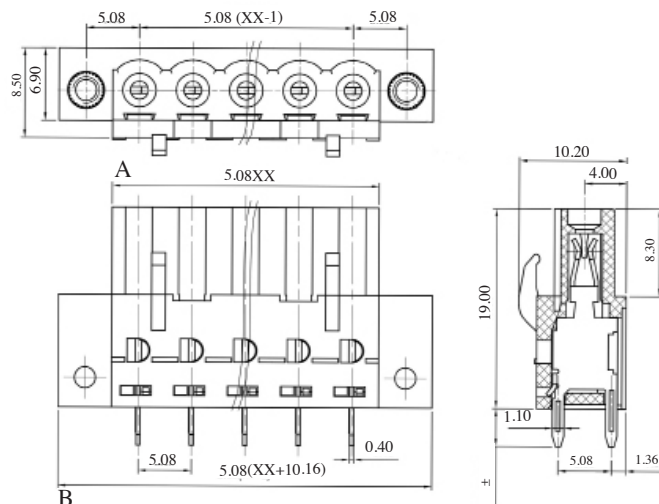
PCB Mounting Female Vertical Connector

TYPE NO.	POLES	LENGTH	CTBP97VJ
CTBP97VJ/2	2	12.2mm	
CTBP97VJ/3	3	17.2mm	
CTBP97VJ/4	4	22.3mm	
CTBP97VJ/5	5	27.4mm	
CTBP97VJ/6	6	32.5mm	
CTBP97VJ/7	7	37.6mm	
CTBP97VJ/8	8	42.6mm	
CTBP97VJ/9	9	47.7mm	
CTBP97VJ/10	10	52.8mm	
CTBP97VJ/11	11	57.9mm	
CTBP97VJ/12	12	63.0mm	



PCB Mounting Female Vertical Connector, Flanged

TYPE NO.	POLES	LENGTH A	LENGTH B	CTBP97VJ/FL
CTBP97VJ/2FL	2	10.2mm	20.32mm	
CTBP97VJ/3FL	3	15.2mm	25.4mm	
CTBP97VJ/4FL	4	20.3mm	30.48mm	
CTBP97VJ/5FL	5	25.4mm	35.56mm	
CTBP97VJ/6FL	6	30.5mm	40.64mm	
CTBP97VJ/7FL	7	35.6mm	45.72mm	
CTBP97VJ/8FL	8	40.6mm	50.8mm	
CTBP97VJ/9FL	9	45.7mm	55.88mm	
CTBP97VJ/10FL	10	50.8mm	60.96mm	
CTBP97VJ/11FL	11	55.9mm	66.04mm	
CTBP97VJ/12FL	12	61.0mm	71.12mm	

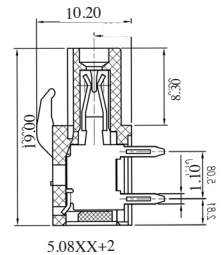
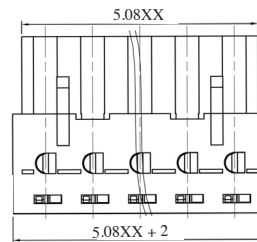
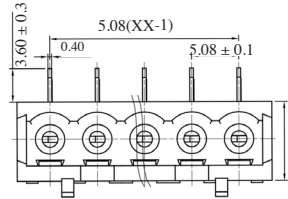


CAMBLOCK PLUS

PCB Mounting Female Horizontal

TYPE NO.	POLES	LENGTH
CTBP97HJ/2	2	12.2mm
CTBP97HJ/3	3	17.2mm
CTBP97HJ/4	4	22.3mm
CTBP97HJ/5	5	27.4mm
CTBP97HJ/6	6	32.5mm
CTBP97HJ/7	7	37.6mm
CTBP97HJ/8	8	42.6mm
CTBP97HJ/9	9	47.7mm
CTBP97HJ/10	10	52.8mm
CTBP97HJ/11	11	57.9mm
CTBP97HJ/12	12	63.0mm

CTBP97HJ



PCB Mounting Female Horizontal, Flanged

TYPE NO.	POLES	LENGTH A	LENGTH B
CTBP97HJ/2FL	2	10.2mm	20.32mm
CTBP97HJ/3FL	3	15.2mm	25.4mm
CTBP97HJ/4FL	4	20.3mm	30.48mm
CTBP97HJ/5FL	5	25.4mm	35.56mm
CTBP97HJ/6FL	6	30.5mm	40.64mm
CTBP97HJ/7FL	7	35.6mm	45.72mm
CTBP97HJ/8FL	8	40.6mm	50.8mm
CTBP97HJ/9FL	9	45.7mm	55.88mm
CTBP97HJ/10FL	10	50.8mm	60.96mm
CTBP97HJ/11FL	11	55.9mm	66.04mm
CTBP97HJ/12FL	12	61.0mm	71.12mm

CTBP97HJ/FL

