

PLEASE CHECK WWW.MOLEX.COM FOR LATEST PART INFORMATION

Part Number: **0747370009**
Status: **Active**
Overview: SFP+ and SFP Interconnect Solutions
Description: SFP One Piece Cage, EMI Shielding, 3.05mm Press-Fit Tails

Documents:

3D Model	Product Specification TS-74737-1011-001 (PDF)
Drawing (PDF)	Application Specification AS-74737-001 (PDF)
Product Specification TS-74737-1010-001 (PDF)	RoHS Certificate of Compliance (PDF)

General

Product Family	EMI Cages
Series	74737
Application	Module-to-Board
Application Tooling Part Link	62202-9745
Application Tooling Part Link	62202-9750
Component Type	Cage Assembly
Mates With	74720 SFP Copper Module, 73929 SFP Cable Assembly, Passive, 2 Gbps, 73930 SFP Cable Assembly, Active, 2 Gbps, 74742 SFP Cable Assembly, Passive, 4 Gbps, 74743 SFP Cable Assembly, Active, 4 Gbps
Overview	SFP+ and SFP Interconnect Solutions
Product Name	SFP
UPC	822350185813
Use With	74441 Connector

Physical

EMI Panel / Bezel Mount	Spring Fingers
Light Pipes per Port	0
Material - Metal	Copper Alloy
Net Weight	4.309/g
Orientation	Horizontal
Packaging Type	Tray
Port Configuration	1x1
Rear Legs	3
Termination Interface: Style	Through Hole - Compliant Pin
Thermal Height	N/A
Thermal Solutions	Closed Top

Solder Process Data

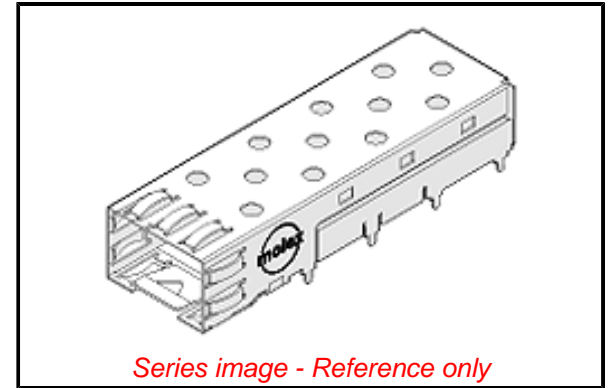
Lead-freeProcess Capability	SMC&WAVE
Process Temperature max. C	265

Material Info

Engineering Number	73927-0009
--------------------	------------

Reference - Drawing Numbers

Application Specification	AS-74737-001
Product Specification	TS-74737-1010-001, TS-74737-1011-001
Sales Drawing	SD-74737-009, SD-74737-020



Series image - Reference only

EU ELV

Compliant

EU RoHS

Compliant

REACH SVHC

Not Contained Per
-ED/01/2017 (12
January 2017)

Halogen-Free

Status

Low-Halogen

Need more information on product environmental compliance?

Email productcompliance@molex.com
Please visit the [Contact Us](#) section for any non-product compliance questions.

China ROHS

ELV

RoHS Phthalates

Green Image

Compliant

Not Contained

Search Parts in this Series

[74737](#) Series