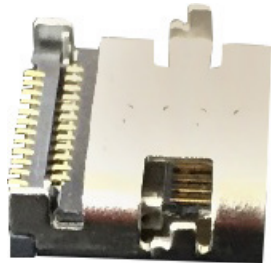


USB Type C Female Mid-Mount Type

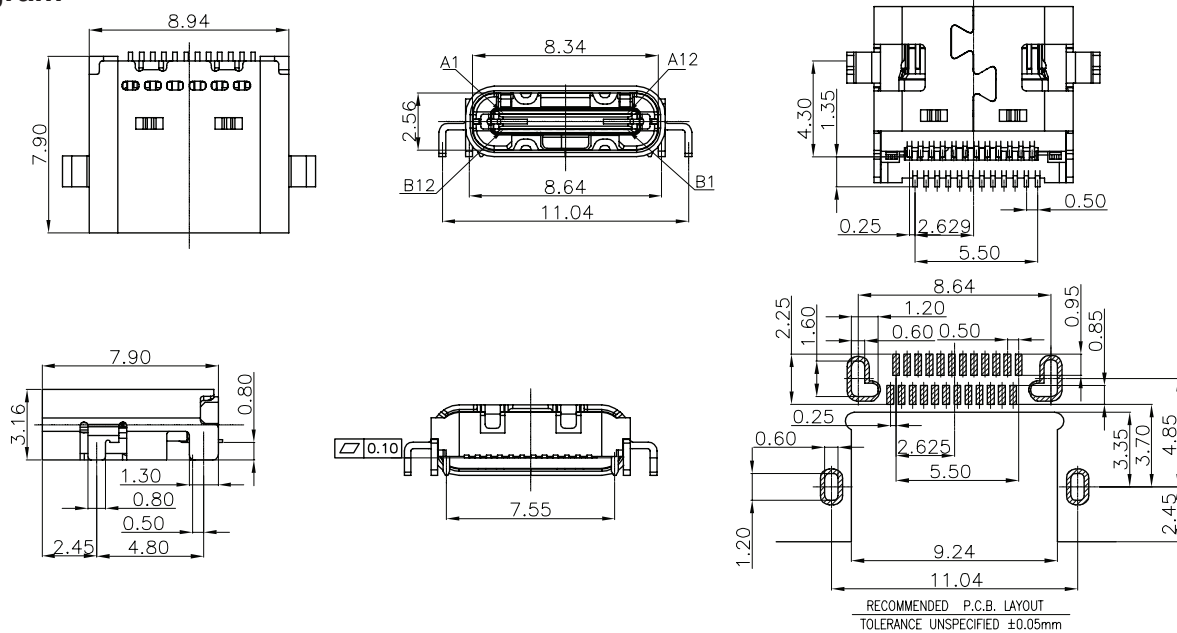


Specifications

Current Rating	: 3A Max.
Voltage	: 100V AC
Temperature Range	: -30°C to +85°C
Contact Resistance	: 40mΩ Max.
Insulation Resistance	: 100MΩ Min.
Insertion Force	: 5N to 20N
Unmating Force	: 8N to 20N
Durability	: 10,000 Cycles

**RoHS
Compliant**

Diagram



Dimensions : Millimetres

No.	Description	Material	Remarks	Qty.
1	Housing	High Temperature Plastic	Black	1
2	Contact	Copper Alloy	Au/Ni Plated	1
3	Shielding Plate	Stainless Steel	Ni Plated	1
4	Spring	Stainless Steel	-	1
5	Shell	Stainless Steel	Ni/Sn Plated	1

Part Number Table

Description	Part Number
USB Type C, Female Mid-Mount Type	MC001666

Important Notice : This data sheet and its contents (the "Information") belong to the members of the Premier Farnell group of companies (the "Group") or are licensed to it. No licence is granted for the use of it other than for information purposes in connection with the products to which it relates. No licence of any intellectual property rights is granted. The Information is subject to change without notice and replaces all data sheets previously supplied. The Information supplied is believed to be accurate but the Group assumes no responsibility for its accuracy or completeness, any error in or omission from it or for any use made of it. Users of this data sheet should check for themselves the Information and the suitability of the products for their purpose and not make any assumptions based on information included or omitted. Liability for loss or damage resulting from any reliance on the Information or use of it (including liability resulting from negligence or where the Group was aware of the possibility of such loss or damage arising) is excluded. This will not operate to limit or restrict the Group's liability for death or personal injury resulting from its negligence. Multicomp is the registered trademark of the Group. © Premier Farnell Limited 2016.

www.element14.com
www.farnell.com
www.newark.com

