

Description

The KAPPA Arduino shield provides a enables the features of the KAPPA on Arduino platform. This is available in two versions:

KAPPA-T868

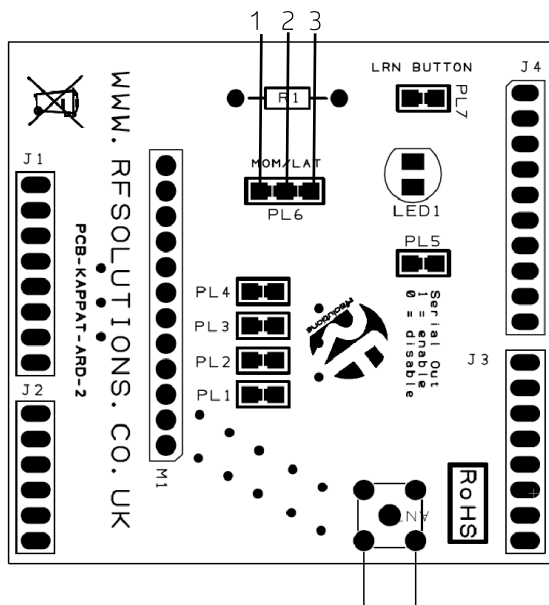
This provides a Telemetry receiver and is compatible with other RF Solutions' compatible transmitter keyfobs. Using these together provides a remote Control Link.

ZULU2-T868, BRAVO-T868, FOBBER-Tn868, ELITE-(Tn,XTn)868, SABRE-Tn868



Ordering Information

Part No	Description
KAPPAT-ARD	Arduino Shield with KAPPAM Telemetry Module



Examples for PL1 – 7 operation

PL1-4 KAPPAT output option links to Arduino inputs

PL5 RX mode serial output

PL6: Momentary/ Latching option link:
 Pins 1, 2 Closed = (LOW) all outputs latching
 Pins 1, 2 Open = (HIGH) all outputs momentary
 Pins 2, 3 Closed = controlled via Arduino

PL7: Optional 0V external learn switch

Link	Action	Description
PL1-4	Closed	Inputs / outputs controlled via the Arduino
	Open	Inputs / outputs disconnected from Arduino
PL 5	Closed/open	RX serial output to Arduino
PL 6	Closed/open/Arduino control	Momentary / latching option
PL 7	Learn switch	Optional external

Resources / Further Reading

- KAPPA-T datasheet: Containing technical information including; pin description, dimensions and set-up of the KAPPA modem module.
<http://www.rfsolutions.co.uk/acatalog/DS-KAPPA.pdf>
- Build Pack: Containing schematic, Gerbers, Design Spark project file and the BOM for the shield.

Note: Serial link must be removed to program Arduino board

Please go to the page below on our website for our Arduino Uno demo downloads
<http://www.rfsolutions.co.uk/downloads/Arduino.php>

RF Solutions Ltd. Recycling Notice

Meets the following EC Directives:

DO NOT

Discard with normal waste, please recycle.



ROHS Directive 2002/95/EC

Specifies certain limits for hazardous substances.



WEEE Directive 2002/96/EC

Waste electrical & electronic equipment. This product must be disposed of through a licensed WEEE collection point.

RF Solutions Ltd., fulfils its WEEE obligations by membership of an approved compliance scheme.

Waste Batteries and Accumulators Directive 2006/66/EC

Where batteries are fitted, before recycling the product, the batteries must be removed and disposed of at a licensed collection point.

Environment Agency producer registration number:
 WEE/JB0104WV.