

XS918RWPAM12

inductive sensor XS9 M18 - L64mm - full SS
303 - Sn10 mm - 12..24VDC - M12



Main

| | |
|-------------------------------|---|
| Range of product | OsiSense XS |
| Series name | Application |
| Sensor type | Inductive proximity sensor |
| Device application | Welding machine |
| Sensor name | XS9 |
| Sensor design | Cylindrical M18 |
| Size | 64 mm |
| Body type | Single piece body |
| Enclosure material | Stainless steel 303 |
| Type of output signal | Discrete |
| Wiring technique | 3-wire |
| [Sn] nominal sensing distance | 10 mm |
| Discrete output function | 1 NO |
| Discrete output type | PNP |
| Electrical connection | 4 pins M12 male connector |
| [Us] rated supply voltage | 12...24 V DC with reverse polarity protection |
| Switching capacity in mA | <= 200 mA with overload and short-circuit protection |
| IP degree of protection | IP68 conforming to IEC 60529 IP69K conforming to DIN 40050 |

Buy online

Complementary

| | |
|------------------------------------|-------------------------------|
| Thread type | M18 x 1 |
| Detection face | Frontal |
| Detector flush mounting acceptance | Flush mountable |
| Material | Stainless steel 303 |
| Front material | Stainless steel 303 |
| Operating zone | > 0...8 mm |
| Differential travel | 1...15 % of Sr |
| Repeat accuracy | <= 5 % of Sr |
| Output circuit type | DC |
| Status LED | 1 LED yellow for output state |
| Supply voltage limits | 10...30 V DC |
| Residual current | <= 0.1 mA for open state |
| Switching frequency | <= 15 Hz |
| Voltage drop | <= 2 V at closed state |
| Current consumption | <= 10 mA at no-load |
| Delay first up | <= 80 ms |
| Delay response | <= 0.0001 ms |
| Delay recovery | <= 0.015 ms |
| Marking | CE |
| Threaded length | 42 mm |
| Height | 18 mm |
| Length | 64 mm |
| Product weight | 0.051 kg |

Environment

| | |
|---------------------------------------|---|
| Product certifications | CULus |
| Ambient air temperature for operation | -25...70 °C |
| Ambient air temperature for storage | -25...70 °C |
| Vibration resistance | 25 gn amplitude = +/- 1 mm (f = 10...55 Hz) conforming to IEC 60068-2-6 |
| Shock resistance | 30 gn for 11 ms conforming to IEC 60068-2-27 |

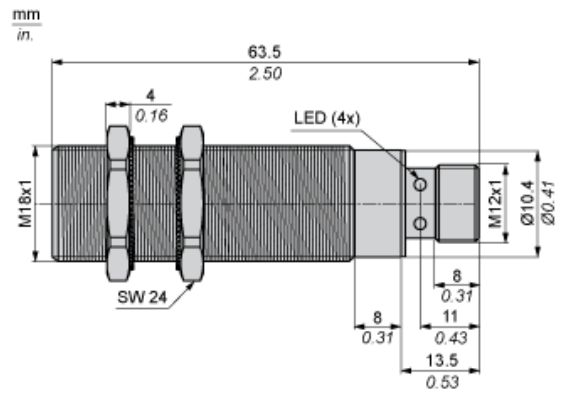
Offer Sustainability

| | |
|--------------------------|--|
| Sustainable offer status | Not Green Premium product |
| RoHS (date code: YYWW) | Compliant - since 1206 - Schneider Electric declaration of conformity Schneider Electric declaration of conformity |
| REACH | Reference not containing SVHC above the threshold |

Contractual warranty

| | |
|-----------------|-----------|
| Warranty period | 18 months |
|-----------------|-----------|

Dimensions



Minimum Mounting Distances

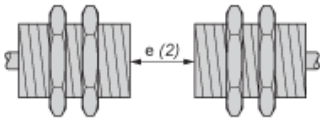
Side by side



e (1) 42 mm/1.65 in.

≥

Face to face



e (2) 40 mm/1.57 in.

≥

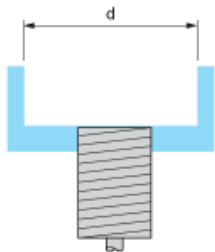
Facing a metal object



e (3) 30 mm/1.18 in.

≥

Mounted in a metal support



d ≥ 50 mm/1.97 in

Wiring Schemes

M12 connector



PNP

