

Modem - PSI-GPRS/GSM-MODEM/RS232-QB - 2313106

Please be informed that the data shown in this PDF Document is generated from our Online Catalog. Please find the complete data in the user's documentation. Our General Terms of Use for Downloads are valid (<http://phoenixcontact.com/download>)




Industrial GPRS/GSM modem for mounting on EN DIN rails. GSM and GPRS. 850 + 900 + 1800 + 1900 MHz. Serial V.24 (RS-232) interface. TCP/IP stack. Alarm input and output. 24 V DC supply voltage.

Why buy this product

- ✓ Fixed latency
- ✓ High electromagnetic compatibility
- ✓ Can be used worldwide
- ✓ Can be used regardless of controller manufacturer
- ✓ Firewall
- ✓ One switching output on backplane, can be activated via SMS with password protection
- ✓ Encryption of SIM card PINs
- ✓ Connection establishment with password protection
- ✓ GSM mobile phone network: 850, 900, 1800, and 1900 MHz
- ✓ IPT-compatible
- ✓ Integrated TCP/IP stack for integrating devices without a TCP/IP stack into a network
- ✓ Data rates of up to 53.6 kbps
- ✓ Connection establishment via data phone number (CSD)
- ✓ Client/server functionality
- ✓ Connection establishment via IP addresses



Key Commercial Data

Packing unit	1 STK
GTIN	 4 046356 166034
GTIN	4046356166034
Weight per Piece (excluding packing)	100.000 g
Custom tariff number	85176200
Country of origin	Germany

Modem - PSI-GPRS/GSM-MODEM/RS232-QB - 2313106

Technical data

Note

Utilization restriction	EMC: class A product, see manufacturer's declaration in the download area
-------------------------	---------------------------------------------------------------------------

Dimensions

Width	22.5 mm
Height	99 mm
Depth	118.6 mm

Ambient conditions

Ambient temperature (operation)	-25 °C ... 60 °C
Altitude	5000 m (For restrictions see manufacturer's declaration) 2000 m (With UL approval)
Degree of protection	IP20
Noise immunity	EN 61000-6-2:2005

General

Electrical isolation	VCC // RS-232 // GSM
Test voltage data interfaces	1500 V
Test voltage data interface/power supply	1.5 kV (50 Hz, 1 min.)
Electromagnetic compatibility	Conformance with R&TTE directive 1999/5/EC
Noise emission	EN 55022
Net weight	100 g
Housing material	PA V0
Color	green
Degree of pollution	2
Conformance	CE-compliant
UL, USA/Canada	cULus listed UL 508 Class I, Zone 2, AEx nA IIC T4 Class I, Zone 2, Ex nA IIC T4 Gc X

Power supply

Nominal supply voltage	24 V DC \pm 5 % (as an alternative or redundant, via backplane bus contact and system current supply)
Supply voltage range	10 V DC ... 30 V DC (via pluggable COMBICON screw terminal block)
Typical current consumption	< 350 mA (24 V DC) < 80 mA (stand by)

Serial interface

Interface 1	V.24 (RS-232) interface in acc. with ITU-T V.28, EIA/TIA-232, DIN 66259-1
Connection method	D-SUB 9 plug
File format/coding	Serial asynchronous UART/NRZ, 7/8 data, 1/2 stop, 1 parity, 10/11-bit character length
Transmission length	15 m

Modem - PSI-GPRS/GSM-MODEM/RS232-QB - 2313106

Technical data

Serial interface

Data flow control/protocols	Software handshake, Xon/Xoff or hardware handshake RTS/CTS
-----------------------------	------------------------------------------------------------

Radio interface

Interface description	GSM / GPRS
Frequency	850 MHz (2 W (EGSM))
	900 MHz (2 W (EGSM))
	1800 MHz (1 W (EGSM))
	1900 MHz (1 W (EGSM))
Data rate	≤ 85.6 kbps
Antenna	50 Ω impedance SMA antenna socket
SIM interface 1	1.8 volt, 3 volt
GPRS	Class 10, Class B
	CS1 ... CS4
GSM	CSD 9.6/14.4 kbps
Network function	4 time slots for receiving data, 2 time slot for transmitting data. The PIN is saved in the modem. After a voltage interruption, there is automatic redialing into the network Integrated TCP/IP Stack, independent connection establishment.
Network check	LED to show data signal quality

Digital outputs

Output name	Digital output
Number of outputs	1
Voltage output signal	10 V DC ... 30 V DC
Current output signal	≤ 80 mA (24 V)
Connection method	DIN rail bus connectors

Digital inputs

Description of the input	Digital input
Number of inputs	2
Voltage input signal	9 V DC ... 60 V DC
Current input signal	5 mA

Standards and Regulations

Electromagnetic compatibility	Conformance with R&TTE directive 1999/5/EC
Type of test	Free fall in acc. with IEC 60068-2-32
Test result	1 m
Type of test	Vibration resistance in acc. with EN 60068-2-6/IEC 60068-2-6
Test result	5g in each space direction
Type of test	Shock in acc. with EN 60068-2-27/IEC 60068-2-27
Test result	Operation: 15g, 11 ms period, half-sine shock pulse
Type of test	Shock in acc. with EN 60068-2-27/IEC 60068-2-27
Test result	Storage: 30g, 11 ms period, half-sine shock pulse
Noise emission	EN 55022

Modem - PSI-GPRS/GSM-MODEM/RS232-QB - 2313106

Technical data

Standards and Regulations

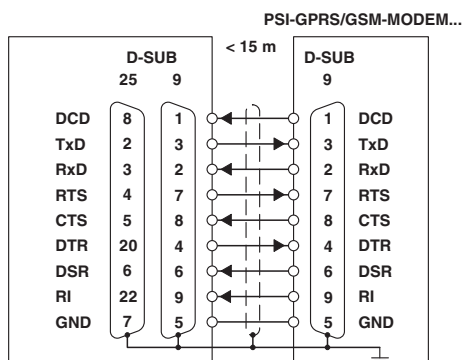
Noise immunity	EN 61000-6-2:2005
Standards/regulations	EN 61000-4-2
	EN 61000-4-3
	EN 61000-4-4
	EN 61000-4-5
	EN 61000-4-6
Conformance	CE-compliant
UL, USA/Canada	cULus listed UL 508
	Class I, Zone 2, AEx nA IIC T4
	Class I, Zone 2, Ex nA IIC T4 Gc X

Environmental Product Compliance

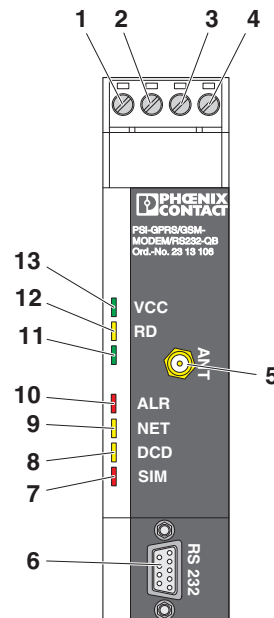
China RoHS	Environmentally Friendly Use Period = 50
	For details about hazardous substances go to tab "Downloads", Category "Manufacturer's declaration"

Drawings

Connection diagram



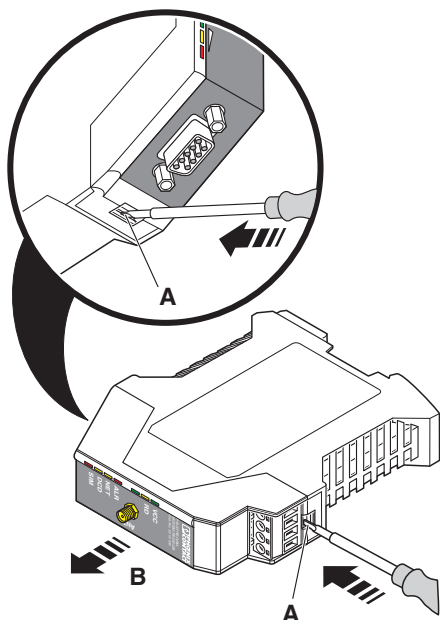
Schematic diagram



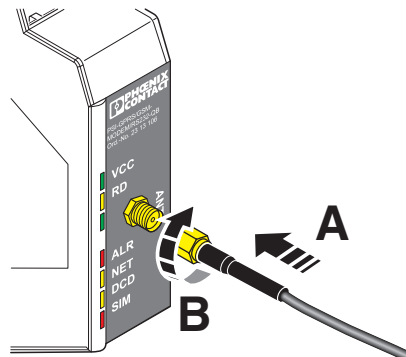
Front view

Modem - PSI-GPRS/GSM-MODEM/RS232-QB - 2313106

Schematic diagram



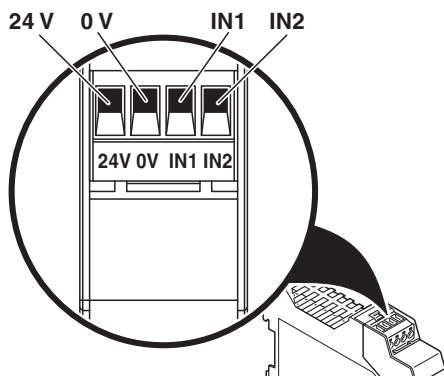
Schematic diagram



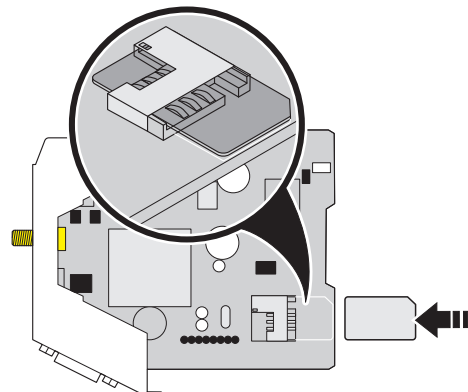
Connect the antenna

Opening the housing

Schematic diagram



Schematic diagram



Device connections

Insert the SIM card

Classifications

eCl@ss

eCl@ss 4.0	27230207
eCl@ss 4.1	27230207
eCl@ss 5.0	27230207
eCl@ss 5.1	27230207
eCl@ss 6.0	27230207
eCl@ss 7.0	27230207

Modem - PSI-GPRS/GSM-MODEM/RS232-QB - 2313106

Classifications

eCl@ss

eCl@ss 8.0	19060590
eCl@ss 9.0	19060590

ETIM

ETIM 2.0	EC000310
ETIM 3.0	EC000310
ETIM 4.0	EC000310
ETIM 5.0	EC000740
ETIM 6.0	EC000740

UNSPSC

UNSPSC 6.01	30211506
UNSPSC 7.0901	39121008
UNSPSC 11	39121008
UNSPSC 12.01	39121008
UNSPSC 13.2	43222628

Approvals

Approvals

Approvals


UL Listed / cUL Listed / EAC / EAC / cULus Listed

Ex Approvals

UL Listed / cUL Listed / cULus Listed

Approval details

UL Listed		http://database.ul.com/cgi-bin/XYV/template/LISEXT/1FRAME/index.htm	FILE E 238705
-----------	-------------------------------------------------------------------------------------	-------------------------------------------------------------------------------------------------------------------------------------------------------	---------------

cUL Listed		http://database.ul.com/cgi-bin/XYV/template/LISEXT/1FRAME/index.htm	FILE E 238705
------------	-------------------------------------------------------------------------------------	-------------------------------------------------------------------------------------------------------------------------------------------------------	---------------

EAC		EAC-Zulassung
-----	-------------------------------------------------------------------------------------	---------------

Modem - PSI-GPRS/GSM-MODEM/RS232-QB - 2313106

Approvals

EAC		RU *- DE.A*30.B.01735
-----	--	--------------------------

cULus Listed	
--------------	--

Accessories

Accessories

Adapter

Adapter - PSM-AD-D9-NULLMODEM - 2708753



V.24 (RS-232) zero modem connector

Adapter cable

Data cable - PSM-KA9SUB9/BB/2METER - 2799474



RS-232 cable, 9-pos. D-SUB socket on 9-pos. D-SUB socket, 9-wire, 1:1

Data cable - PSM-KA9SUB9/BB/0,5METER - 2708520



RS-232 cable, 9-pos. D-SUB socket on 9-pos. D-SUB socket, 9-wire, 1:1

Adapter cable - PSM-KAD-IL RS232/9SUB/B/0,8M - 2319200



Adapter cable to connect the IB IL RS232 and IB IL RS232-PRO Inline communication terminals to the interface converter, e.g. modem, Com server, Bluetooth or fiber optics.

Modem - PSI-GPRS/GSM-MODEM/RS232-QB - 2313106

Accessories

Arrester test system

Cable - CM-KBL-RS232/USB - 2881078



Connecting cable D-9-SUB to USB, with adapter D-9-SUB to D-25-SUB.

DIN rail connector

DIN rail bus connectors - ME 22,5 TBUS 1,5/ 5-ST-3,81 GN - 2707437



Plug component, Nominal current: 8 A, Nominal current (Ex): 8 A, Nominal voltage (Ex): 125 V, Number of positions: 5, Pitch: 3.81 mm, Articles with gold-plated contacts, bus connectors for connecting with electronic housings

Power supply

Power supply unit - MINI-SYS-PS-100-240AC/24DC/1.5 - 2866983



Primary-switched MINI POWER supply for DIN rail mounting, input: 1-phase, output: 24 V DC/1.5 A

Surge protection for transceiver systems

Surge protection device - CSMA-LAMBDA/4-2.0-BS-SET - 2800491



Attachment plug with Lambda/4 technology as surge protection for coaxial signal interfaces. Connection: Male/female SMA connectors.
