

Printed-circuit board connector - DMC 1,5/ 9-G1-3,5 P20THR - 1786905

Please be informed that the data shown in this PDF Document is generated from our Online Catalog. Please find the complete data in the user's documentation. Our General Terms of Use for Downloads are valid (<http://phoenixcontact.com/download>)

Header, Nominal current: 8 A, Rated voltage (III/2): 160 V, Number of positions: 9, Pitch: 3.5 mm, Color: black, Contact surface: Tin, Mounting: THR soldering




The figure shows a 10-pos. version with 20 contacts

Why buy this product

- Designed for integration into the SMT soldering process
- Conductor connection on several levels enables higher contact density
- Small component size for applications where space is at a premium



Key Commercial Data

| | |
|--------------------------------------|---|
| Packing unit | 50 STK |
| GTIN |  4 046356 595131 |
| GTIN | 4046356595131 |
| Weight per Piece (excluding packing) | 4.480 g |
| Custom tariff number | 85366990 |
| Country of origin | Germany |

Technical data

Dimensions

| | |
|--------------------------|-----------|
| Length | 11.6 mm |
| Pitch | 3.5 mm |
| Dimension a | 28 mm |
| Width | 32.3 mm |
| Constructional height | 10.8 mm |
| Height | 12.8 mm |
| Length of the solder pin | 2 mm |
| Pin dimensions | 0,8 x 0,8 |
| Pin spacing | 2.50 mm |

Printed-circuit board connector - DMC 1,5/ 9-G1-3,5 P20THR - 1786905

Technical data

Dimensions

| | |
|---------------|--------|
| Hole diameter | 1.4 mm |
|---------------|--------|

General

| | |
|--|-------------------|
| Range of articles | DMC 1,5/...G1-THR |
| Insulating material group | IIIa |
| Rated surge voltage (III/3) | 2.5 kV |
| Rated surge voltage (III/2) | 2.5 kV |
| Rated surge voltage (II/2) | 2.5 kV |
| Rated voltage (III/3) | 160 V |
| Rated voltage (III/2) | 160 V |
| Rated voltage (II/2) | 250 V |
| Connection in acc. with standard | EN-VDE |
| Nominal current I_N | 8 A |
| Maximum load current | 8 A |
| Insulating material | LCP |
| Flammability rating according to UL 94 | V0 |
| Color | black |
| Number of positions | 9 |

Standards and Regulations

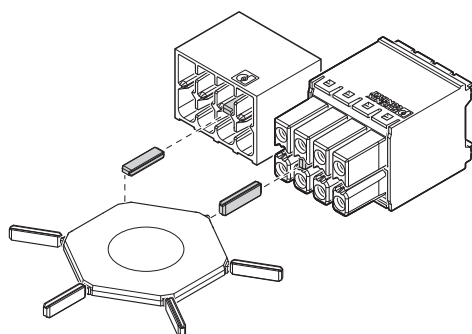
| | |
|--|--------|
| Connection in acc. with standard | EN-VDE |
| | CUL |
| Flammability rating according to UL 94 | V0 |

Environmental Product Compliance

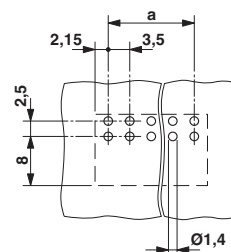
| | |
|------------|---|
| China RoHS | Environmentally friendly use period: unlimited = EFUP-e |
| | No hazardous substances above threshold values |

Drawings

Schematic diagram



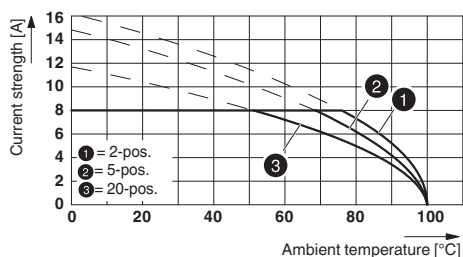
Drilling diagram



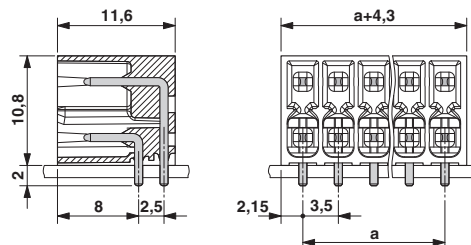
Use of the CP-DMC... coding profile

Printed-circuit board connector - DMC 1,5/ 9-G1-3,5 P20THR - 1786905

Diagram



Dimensional drawing



Classifications

eCl@ss

| | |
|------------|----------|
| eCl@ss 4.0 | 272607xx |
| eCl@ss 4.1 | 27260701 |
| eCl@ss 5.0 | 27260701 |
| eCl@ss 5.1 | 27260701 |
| eCl@ss 6.0 | 27260704 |
| eCl@ss 7.0 | 27440402 |
| eCl@ss 8.0 | 27440402 |
| eCl@ss 9.0 | 27440402 |

ETIM

| | |
|----------|----------|
| ETIM 4.0 | EC002637 |
| ETIM 5.0 | EC002637 |
| ETIM 6.0 | EC002637 |

UNSPSC

| | |
|---------------|----------|
| UNSPSC 6.01 | 30211810 |
| UNSPSC 7.0901 | 39121409 |
| UNSPSC 11 | 39121409 |
| UNSPSC 12.01 | 39121409 |
| UNSPSC 13.2 | 39121409 |

Approvals

Approvals

Approvals

VDE Gutachten mit Fertigungsüberwachung / IEC CB Scheme / cULus Recognized / EAC

Ex Approvals

Printed-circuit board connector - DMC 1,5/ 9-G1-3,5 P20THR - 1786905

Approvals

Approval details

| | | | |
|---|-------|---|----------|
| VDE Gutachten mit Fertigungsüberwachung | | http://www.vde.com/en/Institute/OnlineService/VDE-approved-products/Pages/Online-Search.aspx | 40038423 |
| | | | |
| Nominal current I _N | 8 A | | |
| Nominal voltage U _N | 160 V | | |

| | | | |
|--------------------------------|-------|---|-----------------|
| IECEE CB Scheme | | http://www.iecee.org/ | DE1-56070_B1_B2 |
| | | | |
| Nominal current I _N | 8 A | | |
| Nominal voltage U _N | 160 V | | |

| | | | |
|--------------------------------|-------|---|-----------------|
| cULus Recognized | | http://database.ul.com/cgi-bin/XYV/template/LISEXT/1FRAME/index.htm | E60425-20110128 |
| | B | C | |
| Nominal current I _N | 8 A | 8 A | |
| Nominal voltage U _N | 150 V | 50 V | |

| | | |
|-----|--|---------|
| EAC | | B.01742 |
|-----|--|---------|

Accessories

Accessories

Coding element

Coding profile - CP-DMC 1,5 NAT - 1790647

Coding profile, for insertion between the coding ribs of the connector and the header following the reflow soldering process, insulating material, color: natural

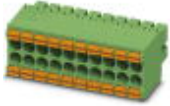


Additional products

Printed-circuit board connector - DMC 1,5/ 9-G1-3,5 P20THR - 1786905

Accessories

Printed-circuit board connector - DFMC 1,5/ 9-ST-3,5 - 1790179



Plug, nominal current: 8 A, rated voltage (III/2): 160 V, number of positions: 9 with 18 contacts, pitch: 3.5 mm, connection method: spring-cage connection, color: green, contact surface: tin