

Solid-state relay terminal block - DEK-OV- 24DC/ 24DC/ 3 - 2941374

Please be informed that the data shown in this PDF Document is generated from our Online Catalog. Please find the complete data in the user's documentation. Our General Terms of Use for Downloads are valid (<http://phoenixcontact.com/download>)



Power solid-state relay terminal block, input: 24 V DC, output: 3 - 30 V DC/3 A, terminal block width: 6.2 mm

Why buy this product

- EB-DIK insertion bridges
- Actuator version available
- Labeling and mounting with user-friendly modular terminal blocks
- Wear-free switching of up to 24 V DC/10 A or 240 V AC/800 mA
- Integrated output protective circuit
- Status indicator
- Integrated input circuit
- Zero voltage switch at AC output
- Electrical isolation between input and output at up to 2.5 kVrms



Key Commercial Data

Packing unit	10 STK
GTIN	 4 017918 080396
GTIN	4017918080396
Weight per Piece (excluding packing)	18.000 g
Custom tariff number	85364190
Country of origin	China

Technical data

Note

Utilization restriction	EMC: class A product, see manufacturer's declaration in the download area
-------------------------	---

Dimensions

Width	6.2 mm
-------	--------

Solid-state relay terminal block - DEK-OV- 24DC/ 24DC/ 3 - 2941374

Technical data

Dimensions

Height	80 mm
Depth	56 mm

Ambient conditions

Ambient temperature (operation)	-20 °C ... 60 °C
Ambient temperature (storage/transport)	-20 °C ... 70 °C

Input data

Nominal input voltage U_N	24 V DC
Input voltage range in reference to U_N	0.8 ... 1.2
Input voltage range	19.2 V DC ... 28.8 V DC
Switching threshold "0" signal in reference to U_N	≤ 0.4
Switching threshold "1" signal in reference to U_N	≥ 0.8
Typical input current at U_N	7 mA
Typical response time	40 μ s
Typical turn-off time	200 μ s
Operating voltage display	Yellow LED
Type of protection	Reverse polarity protection
Transmission frequency	300 Hz
Power dissipation for nominal condition	0.6 W

Output data

Output voltage range	3 V DC ... 30 V DC
Limiting continuous current	3 A (see derating curve)
Voltage drop at max. limiting continuous current	≤ 0.2 V
Output circuit	2-wire, floating
Type of protection	Reverse polarity protection
	Surge protection
Protective circuit/component	Polarity protection diode

Connection data, input side

Connection name	Input side
Connection method	Screw connection
Stripping length	8 mm
Screw thread	M3
Conductor cross section solid	0.2 mm ² ... 2.5 mm ²
Conductor cross section flexible	0.2 mm ² ... 2.5 mm ²
Conductor cross section AWG	24 ... 14
Torque	0.5 Nm

Connection data, output side

Connection name	Output side
Connection method	Screw connection

Solid-state relay terminal block - DEK-OV- 24DC/ 24DC/ 3 - 2941374

Technical data

Connection data, output side

Stripping length	8 mm
Screw thread	M3
Conductor cross section solid	0.2 mm ² ... 2.5 mm ²
Conductor cross section flexible	0.2 mm ² ... 2.5 mm ²
Conductor cross section AWG	24 ... 14
Torque	0.5 Nm

General

Test voltage input/output	2.5 kV AC
Mounting position	any
Assembly instructions	In rows with zero spacing
Operating mode	100% operating factor
Designation	Standards/regulations
Standards/regulations	IEC 60664
	EN 50178
	IEC 62103
Rated surge voltage/insulation	Basic insulation
Degree of pollution	2
Overvoltage category	III

Standards and Regulations

Designation	Standards/regulations
Standards/regulations	IEC 60664
	EN 50178
	IEC 62103
Rated surge voltage/insulation	Basic insulation
Degree of pollution	2
Overvoltage category	III

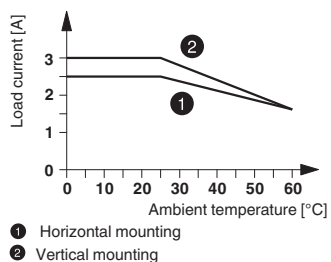
Environmental Product Compliance

China RoHS	Environmentally Friendly Use Period = 50
	For details about hazardous substances go to tab "Downloads", Category "Manufacturer's declaration"

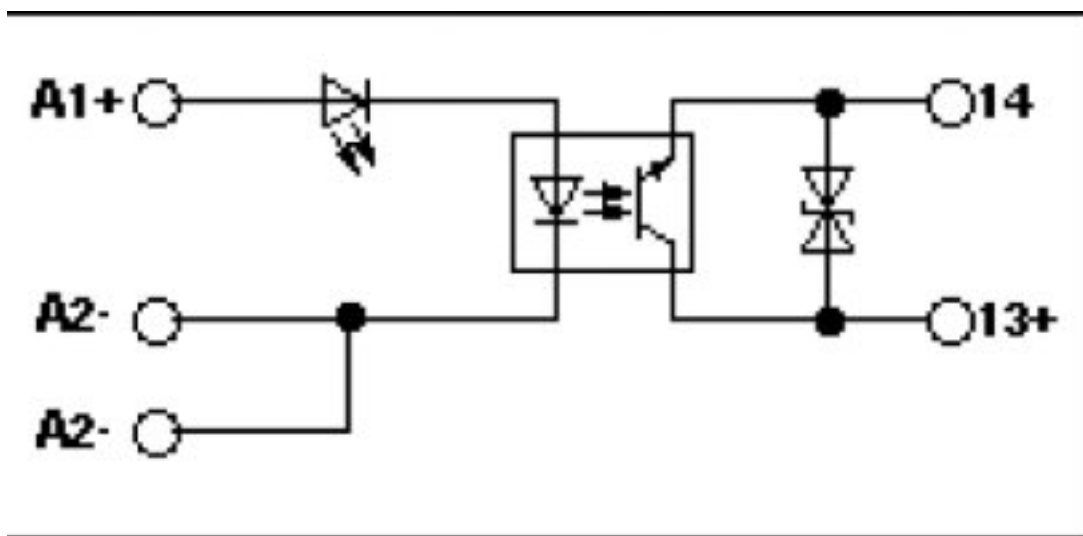
Drawings

Solid-state relay terminal block - DEK-OV- 24DC/ 24DC/ 3 - 2941374

Diagram



Circuit diagram



Classifications

eCl@ss

eCl@ss 5.0	27371001
eCl@ss 5.1	27371001
eCl@ss 6.0	27371604
eCl@ss 7.0	27371604
eCl@ss 8.0	27371604
eCl@ss 9.0	27371604

ETIM

ETIM 2.0	EC001504
ETIM 3.0	EC001504
ETIM 4.0	EC001504
ETIM 5.0	EC001504
ETIM 6.0	EC001504

UNSPSC

UNSPSC 6.01	30211916
-------------	----------

Solid-state relay terminal block - DEK-OV- 24DC/ 24DC/ 3 - 2941374

Classifications

UNSPSC

UNSPSC 7.0901	39121542
UNSPSC 11	39121542
UNSPSC 12.01	39121542
UNSPSC 13.2	39122326

Approvals

Approvals

Approvals

EAC / EAC

Ex Approvals

Approval details

EAC		7500651.22.01.00244
-----	--	---------------------

EAC		EAC-Zulassung
-----	--	---------------

Accessories

Accessories

Insertion bridge

Insertion bridge - EB 80- DIK WH - 2715788



Insertion bridge, Pitch: 6.15 mm, Number of positions: 80, Color: white

Solid-state relay terminal block - DEK-OV- 24DC/ 24DC/ 3 - 2941374

Accessories

Insertion bridge - EB 80- DIK RD - 2715953



Insertion bridge, Pitch: 6.2 mm, Number of positions: 80, Color: red

Insertion bridge - EB 80- DIK BU - 2715940



Insertion bridge, Pitch: 6.2 mm, Number of positions: 80, Color: blue

Insertion bridge - EB 10- DIK BU - 2716680



Insertion bridge, Pitch: 6.15 mm, Number of positions: 10, Color: blue

Insertion bridge - EB 5- DIK BU - 2716677



Insertion bridge, Pitch: 6.15 mm, Number of positions: 5, Color: blue

Insertion bridge - EB 4- DIK BU - 2716664



Insertion bridge, Pitch: 6.15 mm, Number of positions: 4, Color: blue

Solid-state relay terminal block - DEK-OV- 24DC/ 24DC/ 3 - 2941374

Accessories

Insertion bridge - EB 3- DIK BU - 2716651



Insertion bridge, Pitch: 6.15 mm, Number of positions: 3, Color: blue

Insertion bridge - EB 2- DIK BU - 2716648



Insertion bridge, Pitch: 6.15 mm, Number of positions: 2, Color: blue

Insertion bridge - EB 10- DIK RD - 2716774



Insertion bridge, Pitch: 6.15 mm, Number of positions: 10, Color: red

Insertion bridge - EB 5- DIK RD - 2716761



Insertion bridge, Pitch: 6.15 mm, Number of positions: 5, Color: red

Insertion bridge - EB 4- DIK RD - 2716758



Insertion bridge, Pitch: 6.15 mm, Number of positions: 4, Color: red

Solid-state relay terminal block - DEK-OV- 24DC/ 24DC/ 3 - 2941374

Accessories

Insertion bridge - EB 3- DIK RD - 2716745



Insertion bridge, Pitch: 6.15 mm, Number of positions: 3, Color: red

Insertion bridge - EB 2- DIK RD - 2716693



Insertion bridge, Pitch: 6.15 mm, Number of positions: 2, Color: red

Labeled terminal marker

Zack marker strip - ZB 6,LGS:FORTL.ZAHLEN - 1051016



Zack marker strip, Strip, white, labeled, can be labeled with: Plotter, Printed horizontally: Consecutive numbers 1 - 10, 11 - 20, etc. up to 491 - 500, Mounting type: Snap into tall marker groove, for terminal block width: 6.2 mm, Lettering field: 6.15 x 10.5 mm

Partition plate

Separating plate - D-DEK 1,5 GN - 2716949



Cover for setting the end of a terminal row, color: green

Sensor/actuator terminal block

Sensor/actuator terminal block - DIKD 1,5 - 2715979



Sensor/actuator terminal block, Connection type: Screw connection, Cross section: 0.2 mm² - 4 mm², AWG: 24 - 12, Width: 6.2 mm, Color: gray, Mounting type: NS 35/7,5, NS 35/15

Terminal marking

Solid-state relay terminal block - DEK-OV- 24DC/ 24DC/ 3 - 2941374

Accessories

Zack marker strip - ZB 6:UNBEDRUCKT - 1051003



Zack marker strip, Strip, white, unlabeled, can be labeled with: Plotter, Mounting type: Snap into tall marker groove, for terminal block width: 6.2 mm, Lettering field: 6.15 x 10.5 mm

Zack marker strip - ZB 6/WH-100:UNBEDRUCKT - 5060935



Zack marker strip, Strip, white, unlabeled, can be labeled with: Plotter, Mounting type: Snap into tall marker groove, for terminal block width: 6.2 mm, Lettering field: 6.15 x 10.5 mm
