

RJ45 socket insert - CUC-V04-BU-90 - 1407408


Please be informed that the data shown in this PDF Document is generated from our Online Catalog. Please find the complete data in the user's documentation. Our General Terms of Use for Downloads are valid (<http://phoenixcontact.com/download>)



RJ45 socket insert, Design: RJ45, IP20, Degree of protection: IP20, Number of positions: 8, CAT5, Material: Copper alloy, Connection method: Solder connection



Key Commercial Data

Packing unit	1 STK
GTIN	 4 046356 772280
GTIN	4046356772280
Weight per Piece (excluding packing)	6.400 g
Custom tariff number	85366990
Country of origin	Germany
Note	Made to Order (non-returnable)

Technical data

Mechanical characteristics

Standards/specifications	IEC 60603-7
Number of positions	8
Connection profile	RJ45
Insertion/withdrawal cycles	≥ 750
Connection method	Solder connection
Degree of protection	IP20
Design	Female

Ambient conditions

Ambient temperature (operation)	-40 °C ... 70 °C
Ambient temperature (storage/transport)	-40 °C ... 70 °C
Degree of protection	IP20

Material data

Flammability rating according to UL 94	V0
--	----

RJ45 socket insert - CUC-V04-BU-90 - 1407408

Technical data

Material data

Housing material	Copper alloy
------------------	--------------

Electrical characteristics

Number of positions	8
Nominal voltage U_N	50 V
Nominal current I_N	1.5 A
GRP transmission properties	CAT5

Standards and Regulations

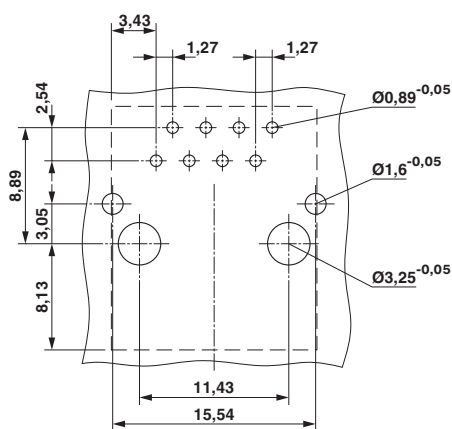
Standards/regulations	IEC 60603-7
Flammability rating according to UL 94	V0

Environmental Product Compliance

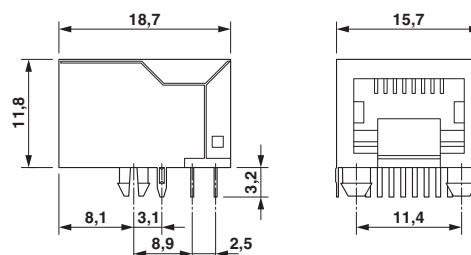
China RoHS	Environmentally Friendly Use Period = 50
	For details about hazardous substances go to tab "Downloads", Category "Manufacturer's declaration"

Drawings

Drilling diagram



Dimensional drawing



Classifications

eCl@ss

eCl@ss 4.0	272607xx
eCl@ss 4.1	27260701
eCl@ss 5.0	27260701
eCl@ss 5.1	27260701
eCl@ss 6.0	27260708
eCl@ss 7.0	27440312
eCl@ss 8.0	27440205
eCl@ss 9.0	27440205

RJ45 socket insert - CUC-V04-BU-90 - 1407408

Classifications

ETIM

ETIM 3.0	EC001121
ETIM 4.0	EC001121
ETIM 5.0	EC000438
ETIM 6.0	EC000438

UNSPSC

UNSPSC 6.01	31261501
UNSPSC 7.0901	31261501
UNSPSC 11	31261501
UNSPSC 12.01	31261501
UNSPSC 13.2	39121522

Approvals

Approvals

Approvals

EAC

Ex Approvals

Approval details

EAC		B.01742
-----	--	---------

Accessories

Accessories

Panel mounting frame

Panel mounting frames - CUC-V04-F-POBK-90 - 1407411



Panel mounting frames, Degree of protection: IP65/67, Material: Plastic

