

# Housing screw connection - SACC-BP-F-M12/ VAR-1,7/2,5-9TIP - 1414232

Please be informed that the data shown in this PDF Document is generated from our Online Catalog. Please find the complete data in the user's documentation. Our General Terms of Use for Downloads are valid (<http://phoenixcontact.com/download>)



M12 housing screw connection with tolerance-compensating function, for straight, THR solderable M12 socket contact inserts. Suitable for 1.7 mm ... 2.5 mm thick front plates.



## Key Commercial Data

Packing unit	10 STK
Minimum order quantity	10 STK
GTIN	 4 055626 022734
GTIN	4055626022734
Weight per Piece (excluding packing)	10.890 g
Custom tariff number	79070000
Country of origin	Germany

## Technical data

### Ambient conditions

Ambient temperature (operation)	-25 °C ... 85 °C (Plug / socket)
	-40 °C ... 85 °C (without mechanical actuation)
Degree of protection	IP67 (correctly plugged in and locked)

### General

Note	The electrical and mechanical data specified assume that the connector pair is correctly locked and mounted. If the connector is unlocked and if there is a danger of pollution, the connector must be sealed using a protective cap > IP54. The M12 housing screw connection can only be used in conjunction with mating connectors and protective caps with M12 standard thread. Mating connectors with SPEEDCON thread cannot be used.
Standards/regulations	M12 connector IEC 61076-2-101
Insertion/withdrawal cycles	> 100
Torque	0.6 Nm (Tightening torque of mating connector)

# Housing screw connection - SACC-BP-F-M12/ VAR-1,7/2,5-9TIP - 1414232

## Technical data

### General

Mounting type	Rear mounting 2-section, lockable
---------------	-----------------------------------

### Material

Flammability rating according to UL 94	V0
Sealing material	FKM (Form seal)
	FKM (O-ring (pin connector pattern))
Additional material specifications	PA 66 (Fixing sleeve)
	Zinc die-cast, nickel-plated (Threaded sleeve)
Color	black (Fixing sleeve)

### Cable

Standards/specifications	M12 connector IEC 61076-2-101
--------------------------	-------------------------------

### Standards and Regulations

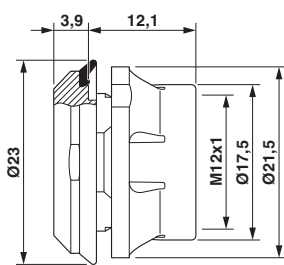
Standard designation	M12 connector
Standards/regulations	IEC 61076-2-101
Flammability rating according to UL 94	V0

### Environmental Product Compliance

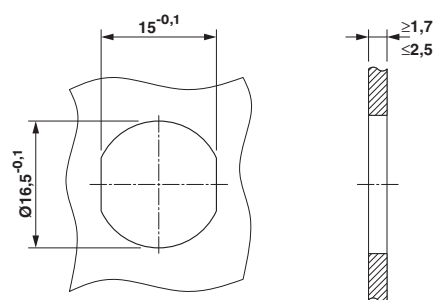
China RoHS	Environmentally Friendly Use Period = 50
	For details about hazardous substances go to tab "Downloads", Category "Manufacturer's declaration"

## Drawings

Dimensional drawing



Dimensional drawing



Panel cutout

## Classifications

eCl@ss

eCl@ss 5.1	27143423
eCl@ss 6.0	27143423
eCl@ss 8.0	23100602

# Housing screw connection - SACC-BP-F-M12/ VAR-1,7/2,5-9TIP - 1414232

## Classifications

### eCl@ss

eCl@ss 9.0	23100602
------------	----------

### ETIM

ETIM 4.0	EC001855
ETIM 5.0	EC002350

### UNSPSC

UNSPSC 13.2	31171603
-------------	----------

## Approvals

### Approvals

---

### Approvals

EAC

---

### Ex Approvals

---

## Approval details

EAC		B.01742
-----	--	---------

## Accessories

### Accessories

#### Panel mounting base

#### Housing screw connection - SACC-BP-F-FIX/NUT-BL-THR - 1417782



Fixing sleeve for M12 housing screw connection with tolerance-compensating function, for THR solderable M12 socket contact inserts.

## Housing screw connection - SACC-BP-F-M12/ VAR-1,7/2,5-9TIP - 1414232

### Accessories

Housing screw connection - SACC-BP-F-FIX/NUT-CY-THR - 1417783



Fixing sleeve for M12 housing screw connection with tolerance-compensating function, for THR solderable M12 socket contact inserts.

---

Housing screw connection - SACC-BP-F-FIX/NUT-RD-THR - 1417784



Fixing sleeve for M12 housing screw connection with tolerance-compensating function, for THR solderable M12 socket contact inserts.

---

Housing screw connection - SACC-BP-F-FIX/NUT-YE-THR - 1417785



Fixing sleeve for M12 housing screw connection with tolerance-compensating function, for THR solderable M12 socket contact inserts.

---

Housing screw connection - SACC-BP-F-FIX/NUT-GN-THR - 1417787



Fixing sleeve for M12 housing screw connection with tolerance-compensating function, for THR solderable M12 socket contact inserts.

---

Housing screw connection - SACC-BP-F-FIX/NUT-VT-THR - 1417788



Fixing sleeve for M12 housing screw connection with tolerance-compensating function, for THR solderable M12 socket contact inserts.

---

## Housing screw connection - SACC-BP-F-M12/ VAR-1,7/2,5-9TIP - 1414232

### Accessories

Housing screw connection - SACC-BP-F-FIX/NUT-OR-THR - 1417789



Fixing sleeve for M12 housing screw connection with tolerance-compensating function, for THR solderable M12 socket contact inserts.

---

Housing screw connection - SACC-BP-F-FIX/NUT-BK-THR - 1419697



Fixing sleeve for M12 housing screw connection with tolerance-compensating function, for THR solderable M12 socket contact inserts.

---