

**40**mm sq.

# San Ace 40



## General Specifications

- Material ..... Frame: Plastics (Flammability: UL94V-0),  
Impeller: Plastics (Flammability: UL94V-1)
- Expected Life ..... Refer to specifications (L10:Survival rate:90% at 60°C ,  
rated voltage, and continuously run in a free air state)
- Lead Wire ..... ⊕red ⊖black or blue (Sensor) yellow
- Storage Temperature ..... -30°C to +70°C (Non-condensing)

**40×40×15**mm (Mass : 32g) **9P** type

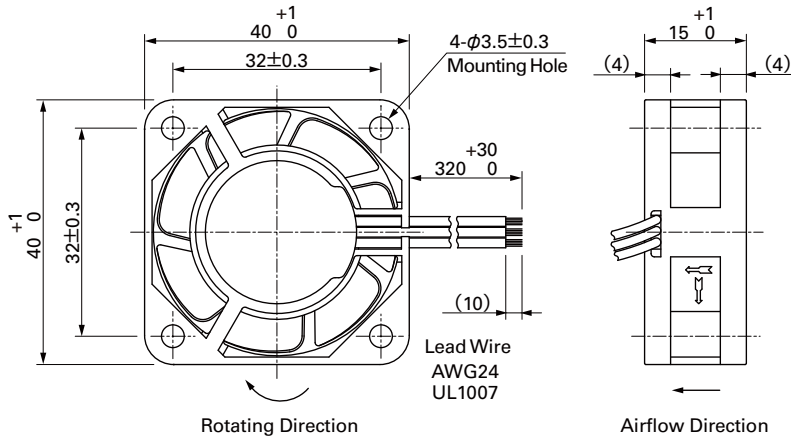
## Specifications

The following nos. **have pulse sensors and ribs.**

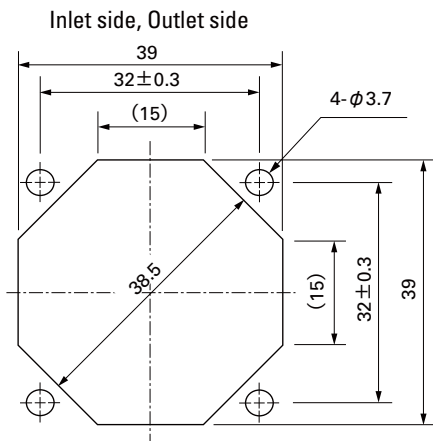
Model No.	Rated Voltage [V]	Operating Voltage Range [V]	Rated Current [A]	Rated Input [W]	Rated Speed [min <sup>-1</sup> ]	Max. Airflow [m <sup>3</sup> /min] [CFM]	Max. Static Pressure [Pa] [inchH <sub>2</sub> O]	SPL [dB(A)]	Operating Temperature [°C]	Expected Life [h]		
109P0405H701	5	4.5 to 5.5	0.28	1.4	7,700	0.18	6.4	75.5	0.303	28	-20 to +60	60,000/60°C
109P0405M701			0.21	1.05	6,500	0.15	5.3	53	0.213	24		
109P0412R701	12	7 to 13.8	0.13	1.56	9,700	0.227	8.0	111.9	0.449	34	-20 to +70	60,000/60°C
109P0412S701			0.18	2.16	8,600	0.2	7.06	92.1	0.369	32		
109P0412H701			0.13	1.56	7,700	0.18	6.4	75.5	0.303	28		
109P0412M701			0.095	1.14	6,500	0.15	5.3	53	0.213	24		
109P0424H701			0.08	1.92	7,700	0.18	6.4	75.5	0.303	28		

Models without sensors or with lock sensors are available as options. Please refer to the index (pp. 466 to 467).

## Dimensions (unit: mm)



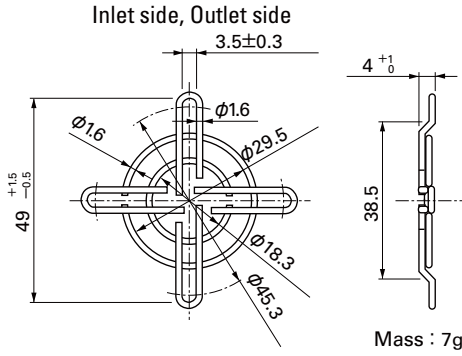
## Reference Dimensions of Mounting Holes and Vent Opening (unit: mm)



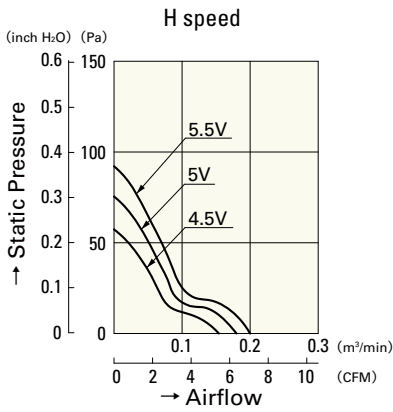
**Finger Guards**

Model : 109-059 Surface treatment : Nickel-chrome plating (silver)  
 : 109-059H : Cation electropainting (black)

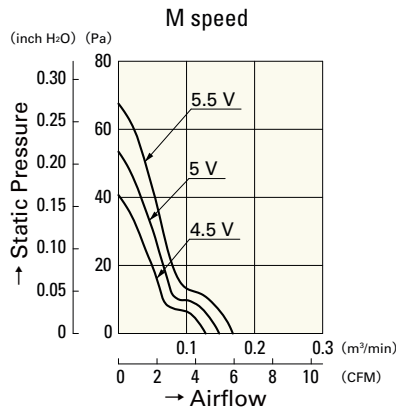
Color



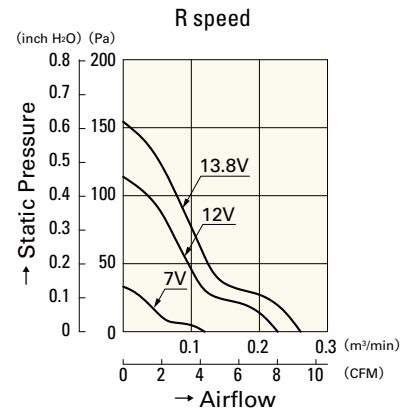
**Airflow - Static Pressure Characteristics**



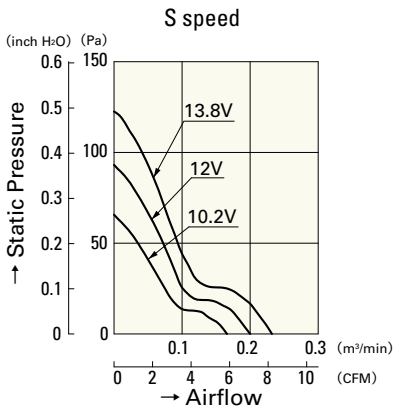
**109P0405H701**



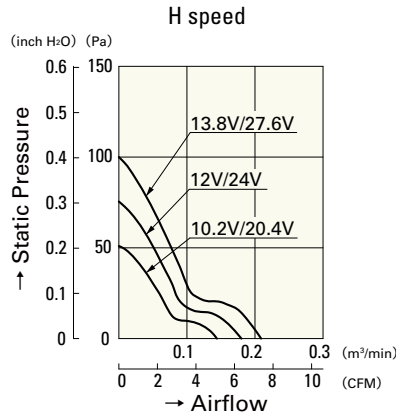
**109P0405M701**



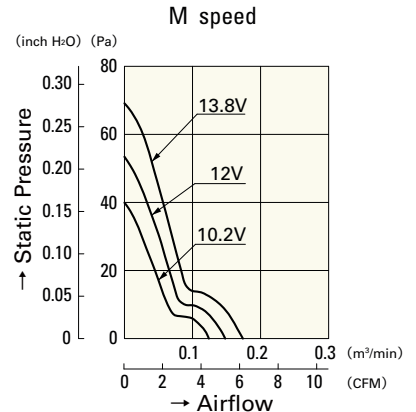
**109P0412R701**



**109P0412S701**



**109P0412H701**  
**109P0424H701**



**109P0412M701**