

**60**mm sq.

# San Ace 60



## General Specifications

- Material ..... Frame: Plastics (Flammability: UL94V-0),  
Impeller: Plastics (Flammability: UL94V-1)
- Expected Life ..... Refer to specifications (L10:Survival rate:90% at 60°C ,  
rated voltage, and continuously run in a free air state)
- Lead Wire ..... ⊕red ⊖black or blue (Sensor) yellow
- Storage Temperature ..... -30°C to +70°C (Non-condensing)

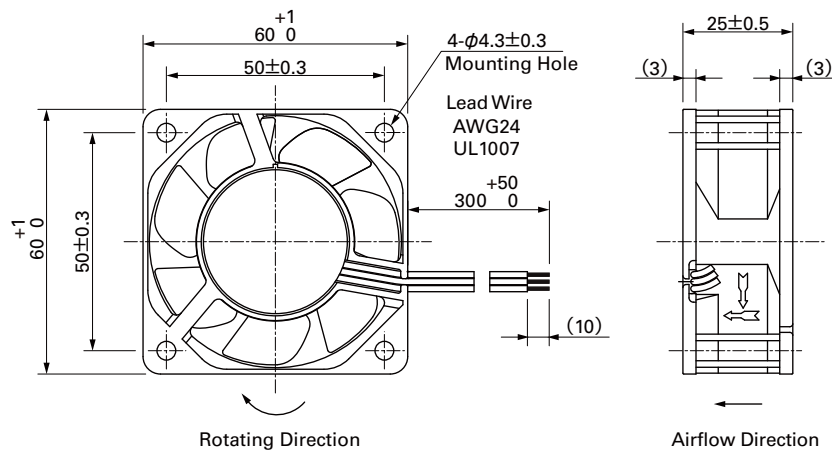
## 60×60×25mm (Mass : 90g) 9R type

**Specifications** The following nos. **have pulse sensors and ribs.** For ribless, append "1" to the model no.

| Model No.    | Rated Voltage [V] | Operating Voltage Range [V] | Rated Current [A] | Rated Input [W] | Rated Speed [min <sup>-1</sup> ] | Max. Airflow [m <sup>3</sup> /min] [CFM] | Max. Static Pressure [Pa] [inchH <sub>2</sub> O] | SPL [dB(A)] | Operating Temperature [°C] | Expected Life [h] |            |             |
|--------------|-------------------|-----------------------------|-------------------|-----------------|----------------------------------|--|--|-------------|----------------------------|-------------------|------------|-------------|
| 109R0605H401 | 5                 | 4.5 to 5.5                  | 0.34              | 1.70            | 3,800                            | 0.53 18.7                                | 40.2 0.161                                       | 28          | -20 to +70                 | 60,000/60°C       |            |             |
| 109R0605F401 |                   |                             | 0.20              | 1.00            | 3,200                            | 0.44 15.5                                | 29.4 0.118                                       | 24          |                            |                   |            |             |
| 109R0605M401 |                   |                             | 0.13              | 0.65            | 2,600                            | 0.36 12.7                                | 19.6 0.079                                       | 20          |                            |                   |            |             |
| 109R0612J401 | 12                | 10.8 to 13.2                | 0.47              | 5.64            | 7,600                            | 1.06 37.1                                | 155.0 0.622                                      | 44          | -20 to +70                 | 40,000/60°C       |            |             |
| 109R0612G401 |                   | 0.24                        | 2.88              | 5,600           | 0.78 27.5                        | 87.3 0.351                               | 39   |             |                            |                   |            |             |
| 109R0612D401 |                   | 10.2 to 13.8                | 0.21              | 2.52            | 5,150                            | 0.72 25.4                                | 73.5 0.295                                       | 37          |                            |                   |            |             |
| 109R0612S401 |                   | 0.17                        | 2.04              | 4,600           | 0.65 23.0                        | 56.8 0.228                               | 33   |             |                            |                   |            |             |
| 109R0612H401 |                   | 6 to 13.8                   | 0.11              | 1.32            | 3,800                            | 0.53 18.7                                | 40.1 0.161                                       | 28          |                            |                   |            |             |
| 109R0612F401 |                   | 0.09                        | 1.08              | 3,200           | 0.44 15.5                        | 29.4 0.118                               | 24   |             |                            |                   |            |             |
| 109R0612M401 |                   | 7 to 13.8                   | 0.06              | 0.72            | 2,600                            | 0.36 12.7                                | 19.6 0.079                                       | 20          |                            |                   |            |             |
| 109R0624J401 |                   | 21.6 to 26.4                | 0.24              | 5.76            | 7,600                            | 1.06 37.1                                | 155.0 0.622                                      | 44          |                            |                   | -20 to +70 | 40,000/60°C |
| 109R0624G401 |                   | 20.4 to 27.6                | 0.13              | 3.12            | 5,600                            | 0.78 27.5                                | 87.3 0.351                                       | 39          |                            |                   |            |             |
| 109R0624D401 | 0.12              | 2.88                        | 5,150             | 0.72 25.4       | 73.5 0.295                       | 37                                       |  |             |                            |                   |            |             |
| 109R0624S401 | 12 to 27.6        | 0.08                        | 1.92              | 4,600           | 0.65 23.0                        | 56.8 0.228                               | 33   |             |                            |                   |            |             |
| 109R0624H401 | 0.06              | 1.44                        | 3,800             | 0.53 18.7       | 40.2 0.161                       | 28                                       |  |             |                            |                   |            |             |
| 109R0624F401 | 0.05              | 1.20                        | 3,200             | 0.44 15.5       | 29.4 0.118                       | 24                                       |  |             |                            |                   |            |             |
| 109R0624M401 | 14 to 27.6        | 0.04                        | 0.96              | 2,600           | 0.36 12.7                        | 19.6 0.079                               | 20   |             |                            |                   |            |             |
| 109R0648J401 | 48                | 43.2 to 52.8                | 0.12              | 5.76            | 7,600                            | 1.06 37.1                                | 155.0 0.622                                      | 44          | -20 to +70                 | 40,000/60°C       |            |             |
| 109R0648G401 | 43 to 53          | 0.07                        | 3.36              | 5,600           | 0.78 27.5                        | 87.3 0.351                               | 39   |             |                            |                   |            |             |
| 109R0648H401 | 40 to 53          | 0.04                        | 1.92              | 3,800           | 0.53 18.7                        | 40.2 0.161                               | 28   |             |                            |                   |            |             |

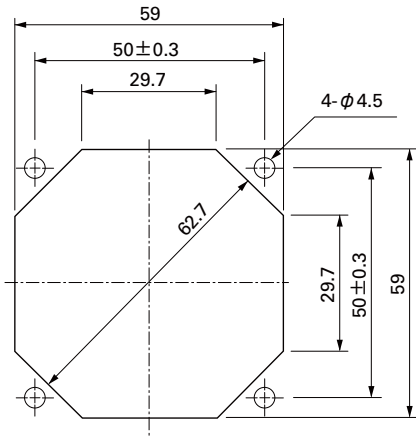
Models without sensors, or with lock sensors, or PWM control function are available as options. Please refer to the index (pp. 468 to 469).

## Dimensions (unit: mm) (With ribs)



**Reference Dimensions of Mounting Holes and Vent Opening (unit: mm)**

Inlet side, Outlet side

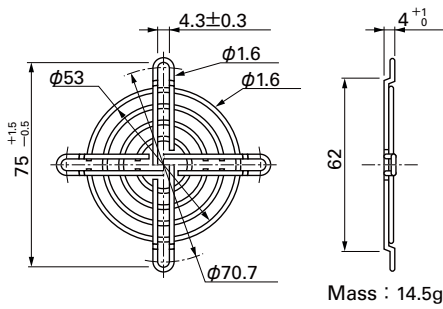


**Options (unit: mm)**

**Finger Guards**

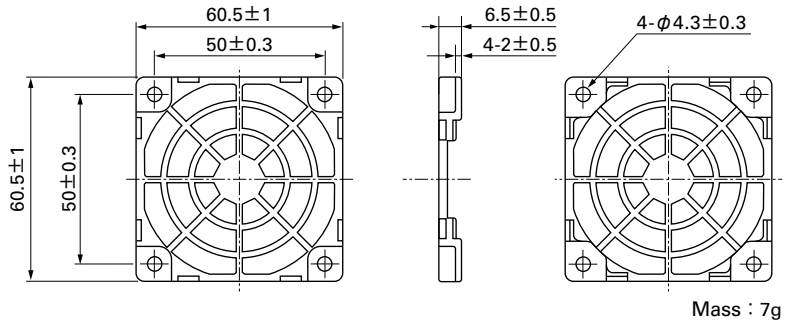
Model : 109-139E Surface treatment : Nickel-chrome plating (silver) Color : 109-139H : Cation electropainting (black)

Inlet side, Outlet side



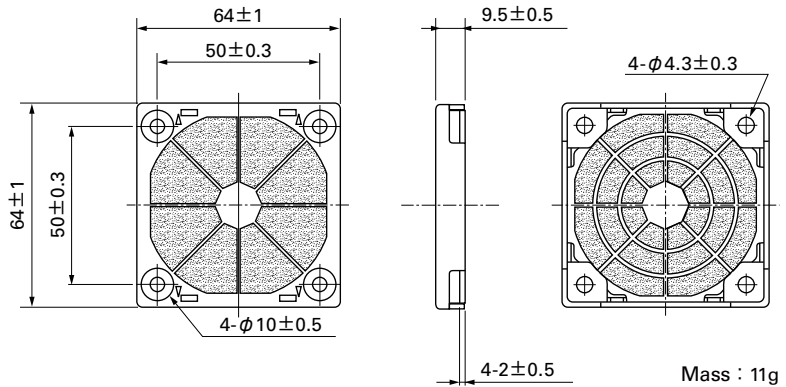
**Resin Finger Guards**

Model : 109-1003G



**Resin Filter Kits**

Model : 109-1003F13 (13PPI), 109-1003F20 (20PPI)  
: 109-1003F30 (30PPI), 109-1003F40 (40PPI)

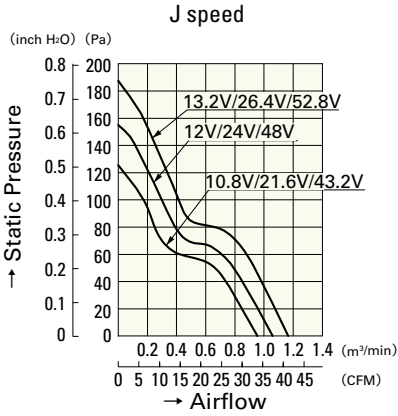


**60**mm sq.

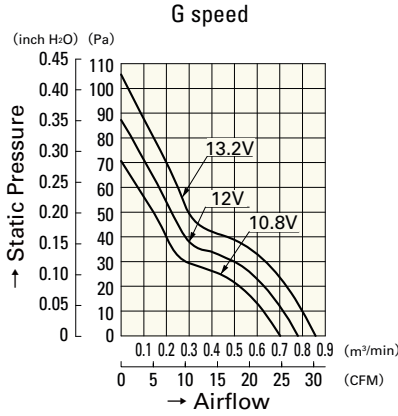
# San Ace 60

**60×60×25**mm [Mass : 90g]

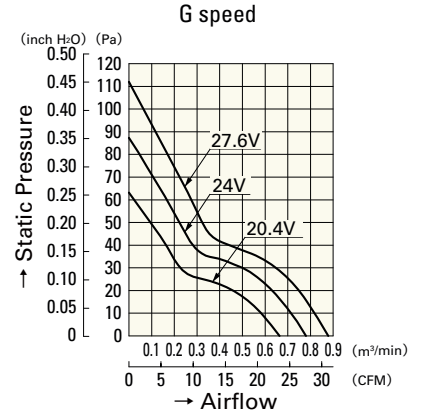
## Airflow - Static Pressure Characteristics



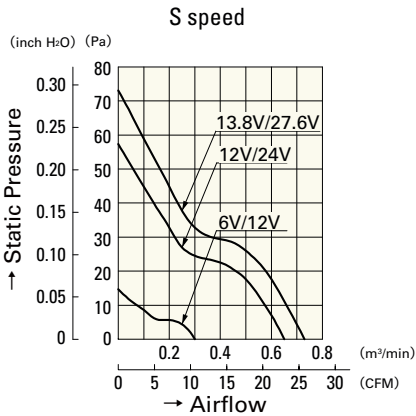
**109R0612J401**  
**109R0624J401**  
**109R0648J401**



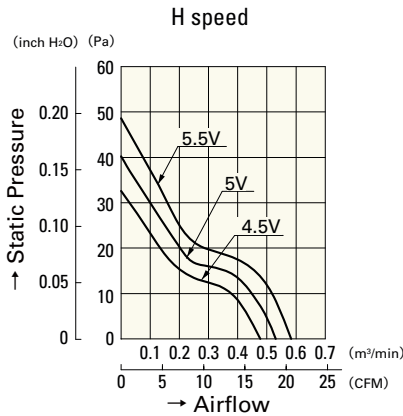
**109R0612G401**



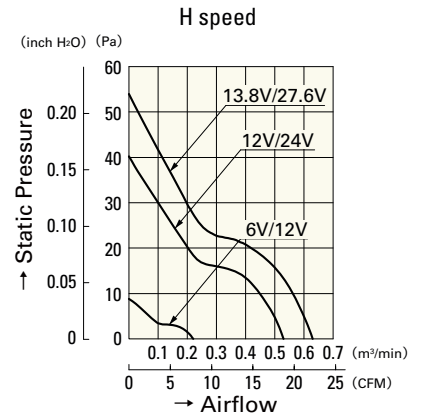
**109R0624G401**



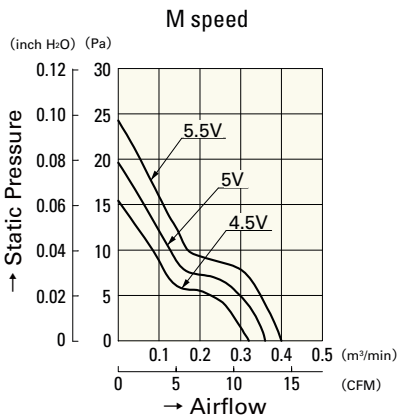
**109R0612S401**  
**109R0624S401**



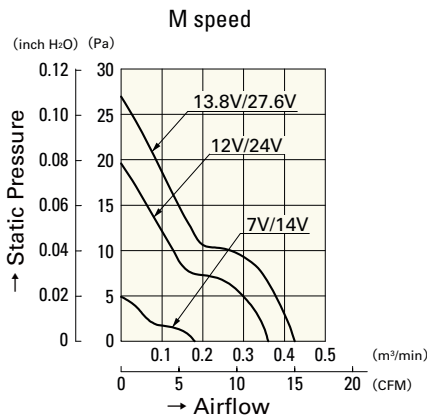
**109R0605H401**



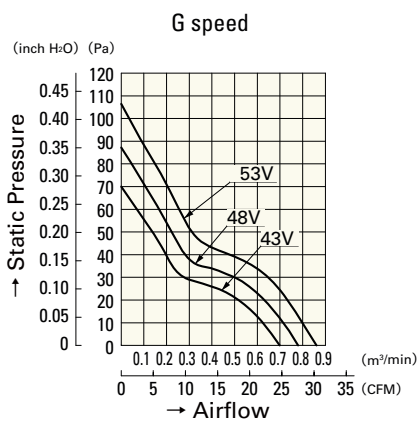
**109R0612H401**  
**109R0624H401**



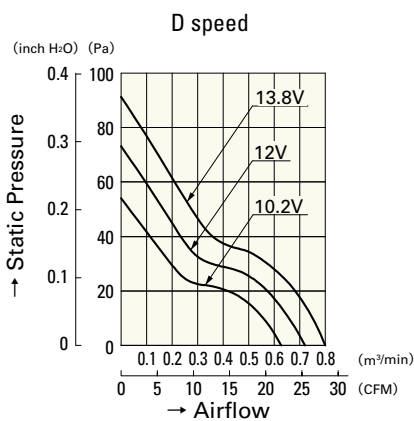
**109R0605M401**



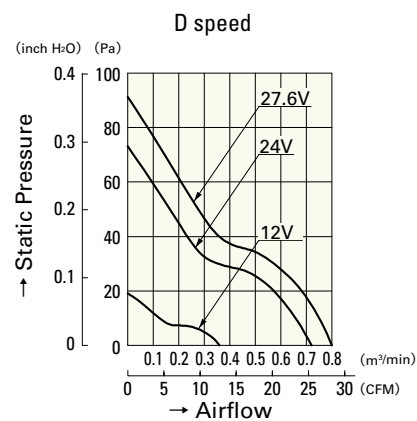
**109R0612M401**  
**109R0624M401**



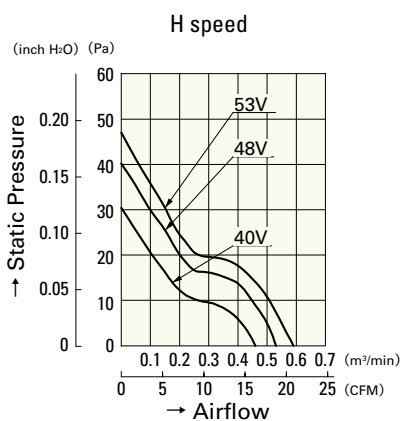
**109R0648G401**



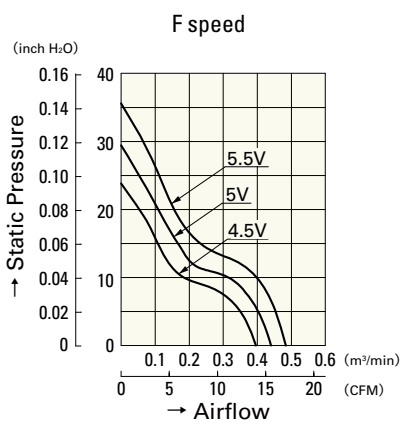
**109R0612D401**



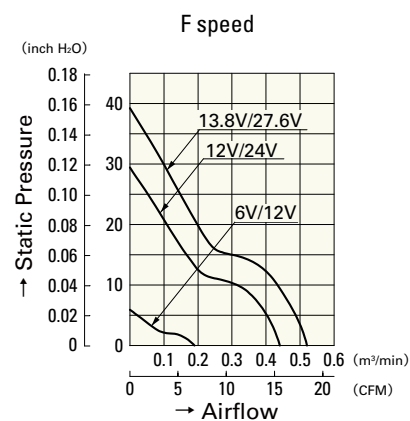
**109R0624D401**



**109R0648H401**



**109R0605F401**



**109R0612F401**

**109R0624F401**