

120mm sq.

San Ace 120



General Specifications

- Material Frame: Plastics (Flammability: UL94V-0),
Impeller: Plastics (Flammability: UL94V-1)
- Expected Life Refer to specifications (L10:Survival rate:90% at 60°C ,
rated voltage, and continuously run in a free air state)
- Lead Wire ⊕red ⊖black or blue (Sensor) yellow
- Storage Temperature -30°C to +70°C (Non-condensing)

120×120×38mm (Mass : 330g) **9G type**

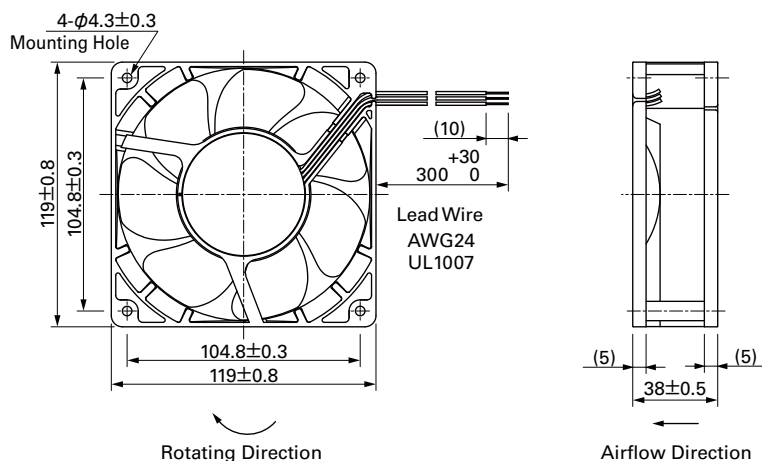
Specifications

The following nos. **have pulse sensors and ribs.** For ribless, append "1" to the model no.

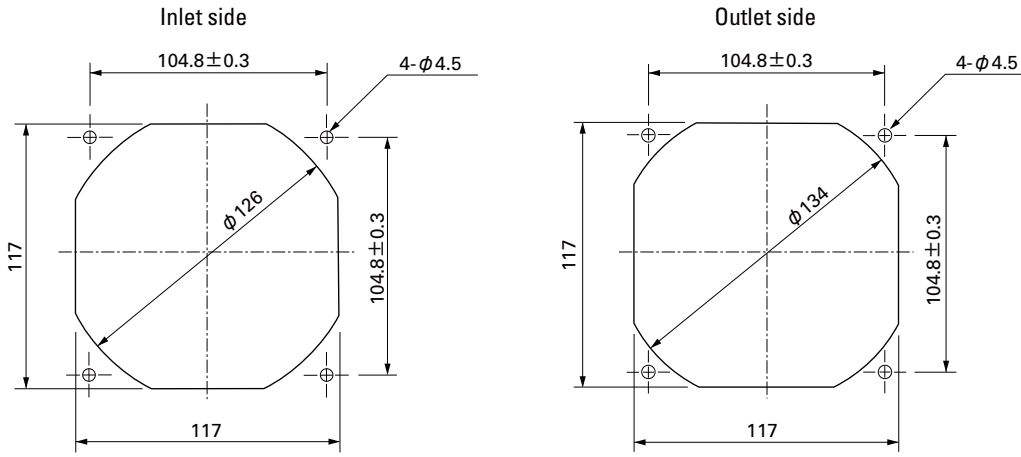
Model No.	Rated Voltage [V]	Operating Voltage Range [V]	Rated Current [A]	Rated Input [W]	Rated Speed [min ⁻¹]	Max. Airflow [m ³ /min] [CFM]	Max. Static Pressure [Pa] [inchH ₂ O]	SPL [dB(A)]	Operating Temperature [°C]	Expected Life [h]
9G1212G101	12	10.2 to 13.8	0.98	11.76	3,600	3.88 137	135 0.542	49	-20 to +70	40,000/60°C
9G1212E101			0.61	7.32	3,100	3.34 118	100 0.402	46		
9G1212H101		7 to 13.8	0.38	4.56	2,600	2.80 99	70.4 0.283	39		
9G1212F101			0.28	3.36	2,280	2.45 87	54.2 0.218	36		
9G1212M101			0.21	2.52	1,950	2.10 74	39.6 0.159	32		
9G1224G101	24	20.4 to 27.6	0.50	12	3,600	3.88 137	135 0.542	49		
9G1224E101			0.34	8.16	3,100	3.34 118	100 0.402	46		
9G1224H101		14 to 27.6	0.22	5.28	2,600	2.80 99	70.4 0.283	39		
9G1224F101			0.16	3.84	2,280	2.45 87	54.2 0.218	36		
9G1224M101			0.11	2.64	1,950	2.10 74	39.6 0.159	32		
9G1248G101	48	40.8 to 55.2	0.25	12	3,600	3.88 137	135 0.542	49		
9G1248E101			0.17	8.16	3,100	3.34 118	100 0.402	46		
9G1248H101			0.11	5.28	2,600	2.80 99	70.4 0.283	39		
9G1248F101			0.09	4.32	2,280	2.45 87	54.2 0.218	36		
9G1248M101			0.07	3.36	1,950	2.10 74	39.6 0.159	32		

Models without sensors, or with lock sensors, or PWM control function are available as options. Please refer to the index (pp. 473 to 474).

Dimensions (unit: mm) (With ribs)



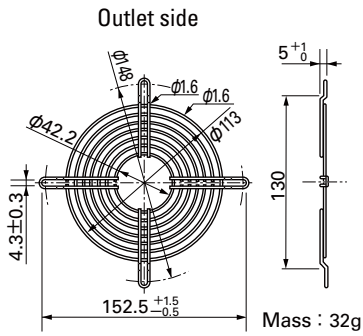
Reference Dimensions of Mounting Holes and Vent Opening (unit: mm)



Options (unit: mm)

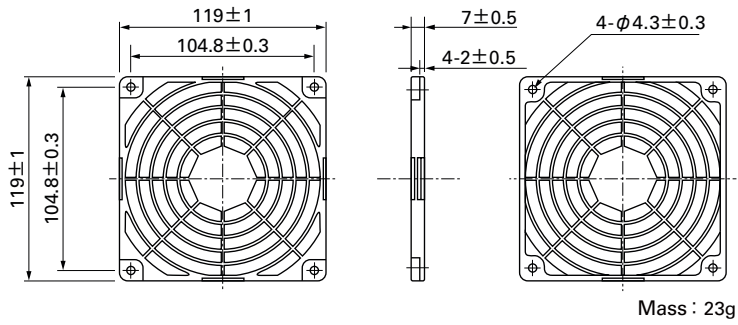
Finger Guards

Model : 109-019C Surface treatment : Nickel-chrome plating (silver) Color
 : 109-019H : Cation electropainting (black)

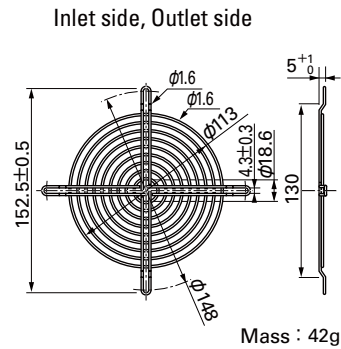


Resin Finger Guards

Model : 109-1000G

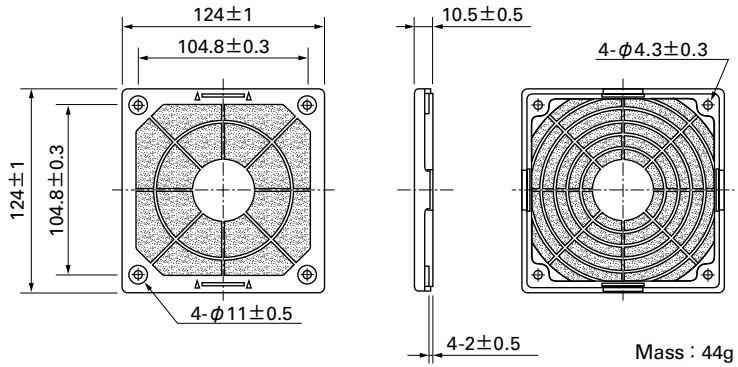


Model : 109-019E Surface treatment : Nickel-chrome plating (silver) Color
 : 109-019K : Cation electropainting (black)



Resin Filter Kits

Model : 109-1000F13 (13PPI), 109-1000F20 (20PPI)
 : 109-1000F30 (30PPI), 109-1000F40 (40PPI)

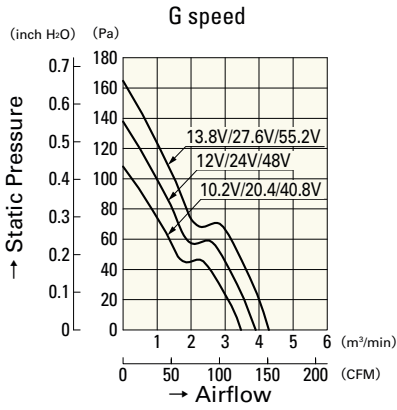


120mm sq.

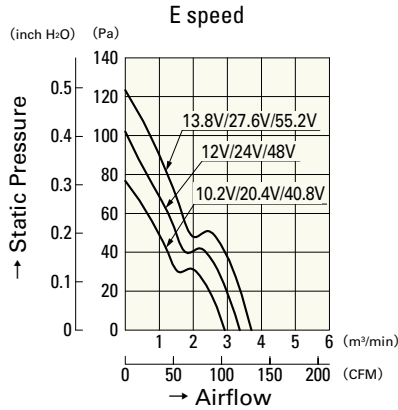
San Ace 120

120×120×38mm [Mass : 330g]

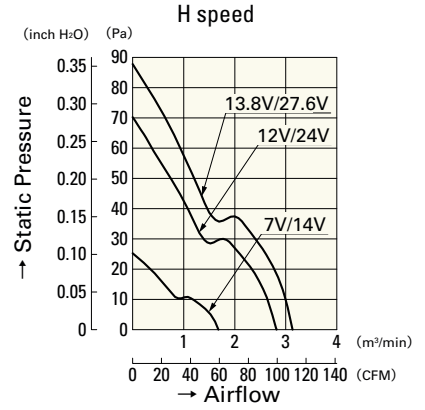
Airflow - Static Pressure Characteristics



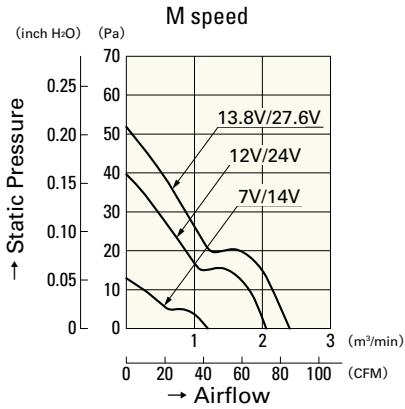
- 9G1212G101**
- 9G1224G101**
- 9G1248G101**



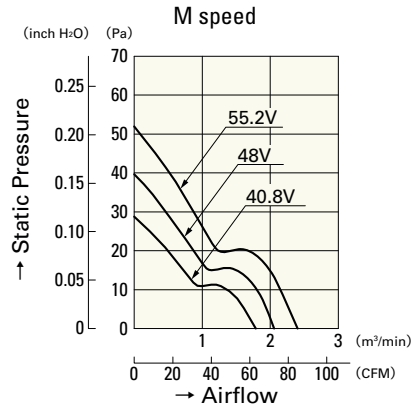
- 9G1212E101**
- 9G1224E101**
- 9G1248E101**



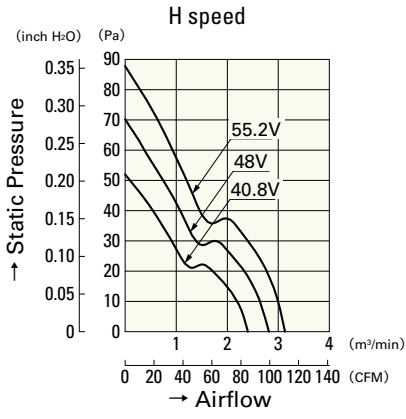
- 9G1212H101**
- 9G1224H101**



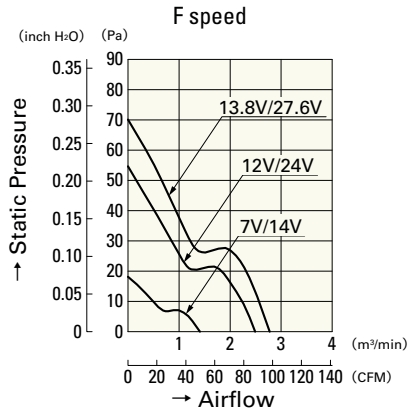
- 9G1212M101**
- 9G1224M101**



- 9G1248M101**

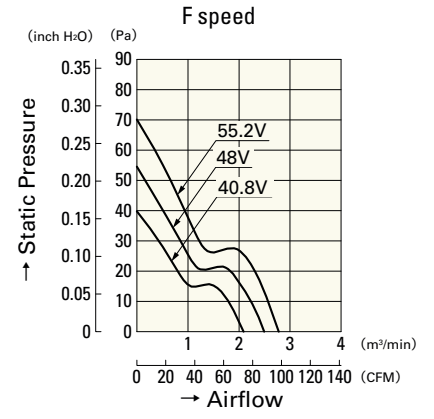


9G1248H101



9G1212F101

9G1224F101



9G1248F101