

**Push-Pull Connectors  
Female Fixed Socket**

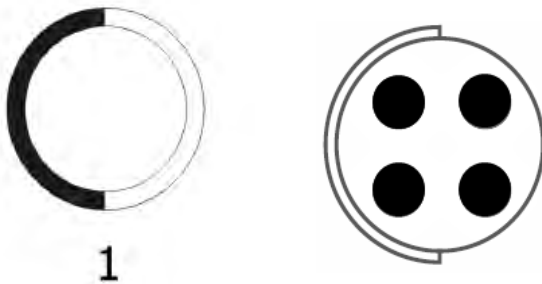
**CCB Series**

**Part Number: CCB2S1/04  
Pole: 4**

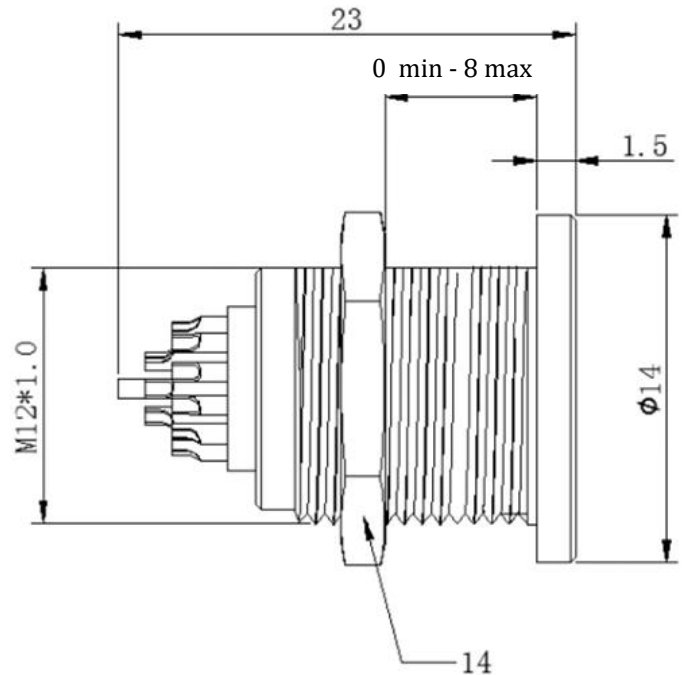
**Illustration**



**Insert Configuration**



**Size Drawing**



**Technical Data**

**Common Values**

|                    |                                     |
|--------------------|-------------------------------------|
| Shell Style/Model: | D type fixed socket, female contact |
| Codes:             | Code 1                              |
| Contact Type:      | Solder type                         |
| Contact Diameter:  | 0.9mm                               |

**Material**

|                   |   |
|-------------------|---|
| Housing Material: | Brass shell; natural chrome plated; brass mid pieces; nickel plated |
| Insulator:        | PPS   |
| Contacts:         | Brass (Gold plated)   |

**Electrical Values**

|                          |                     |
|--------------------------|---------------------|
| Max. Stranded Conductor  | AWG21-22            |
| Max Diameter:            | 1.18mm              |
| Vtest (contact-shell):   | 1100V(AC) 1900V(DC) |
| Vtest (contact-contact): | 1400V(AC) 2200V(DC) |
| Rated Current:           | 7.0A                |
| Rated Voltage:           | ≤ 250V              |
| Mechanical Operation:    | 5000 mating cycles  |

**Others**

|                       |                           |
|-----------------------|---------------------------|
| Humidity (max):       | ≤95% [at 60 deg C /140 F] |
| Vibration:            | 15 g [10 Hz - 2000 Hz]    |
| Shock Resistance:     | 100 g [ 6 ms]             |
| Salt Spray Corrosion: | >72 hr                    |
| Climatical Category:  | 50/175/21                 |
| Shielding (min):      | 75 dB (10 MHz)            |
| Shielding (min):      | 40 dB (1 GHz)             |
| IP Rating:            | 68                        |