



NORP-11, 12, 13 Series

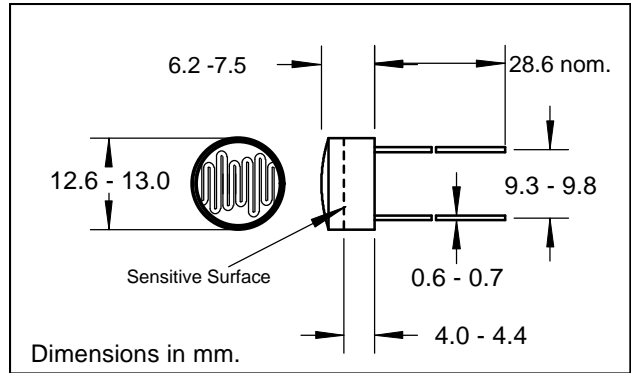
CdS Photocells Plastic Package

Description

The NORP series are CdS photoconductive cells with a spectral response similar to that of the human eye. This series is available in three resistance ranges. It is packaged in an epoxy filled plastic casing.

Absolute Maximum Ratings

Operating Temperature	-60°C to +75°C
Storage Temperature	-60°C to +75°C
Voltage (peak AC or DC)	320 Volts
Power Dissipation @ 30°C (2)	250 mW



Electrical Characteristics (T_A=25°C, source at 2854°K)

Silonex Part No	Sensitive Peak (nm)	On Resistance			Off Resistance
		1 Ftc (K Ω)		100 Ftc (Ω)	(3) (MΩ)
		Min	Max	Typ	Min
NORP-11	515	12.0	28.0	800	2.5
NORP-12		5.4	12.6	400	1.0
NORP-13		2.4	5.6	200	0.5

Specifications subject to change without notice

103158 REV 2

- Notes: (1) Cells are light adapted @ 30 - 50 Ftc. for 16 hours minimum prior to test.
 (2) Derate linearly to 0 at 75°C.
 (3) 15 sec after removal of test light

2 Cogan Ave, Plattsburgh
 NY, 12901, USA
 Tel: 518-561-3160
 Fax: 514-747-3906

Northwich, Cheshire
 CW9 7TN, United Kingdom
 Tel: 01606-41999
 Fax: 01606-49706

2150 Ward, Montreal
 QC, H4M 1T7, Canada
 Tel: 514-744-5507
 Fax: 514-747-3906