



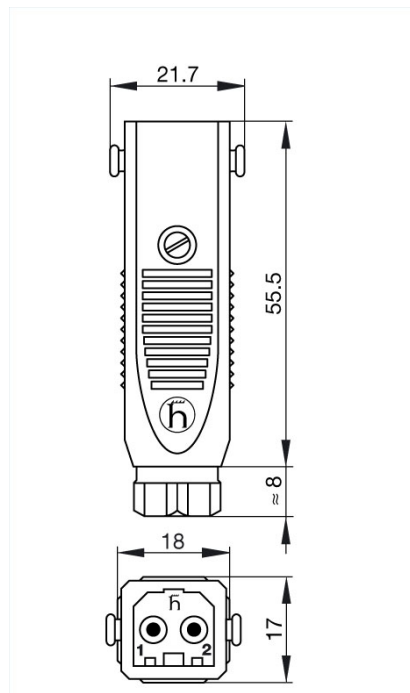
## STAS 20 grau/grey

Industrial Connectors:Rectangular connectors ST-series:Cable plug

### Product description

|                      |                               |
|----------------------|-------------------------------|
| Description          | Cable plug with strain relief |
| Type                 | STAS 20 grau/grey             |
| Order No.            | 931 265-106                   |
| Type of contact      | male                          |
| Number of contacts   | 2 + PE                        |
| Cable gland          | PG 7                          |
| Cable diameter       | 4 mm to 6.5 mm                |
| Conductor size       | max. 1.5 mm <sup>2</sup>      |
| Housing Color        | grey                          |
| Contact bearer color | black                         |

### Drawing



### Technical data

|                     |                   |
|---------------------|-------------------|
| Pin dimensions      | 2 mm              |
| Rated voltage       | AC/DC 250 V       |
| Rated current       | DC 10 A / AC 16 A |
| Contact resistance  | $\leq 5$ mOhm     |
| Type of termination | screw             |

### Material

|                  |       |
|------------------|-------|
| Contact material | Cu Zn |
|------------------|-------|

|                                          |                                                   |
|------------------------------------------|---------------------------------------------------|
| Contact surface material                 | Sn                                                |
| Contact bearer material                  | PA                                                |
| Housing material                         | PA                                                |
| <b>Environmental conditions</b>          |                                                   |
| Protection class (IEC 60529)             | IP 54                                             |
| Pollution severity                       | 3                                                 |
| Temperature range                        | -30 °C to +90 °C                                  |
| <b>Inflammability class</b>              |                                                   |
| Housing                                  | UL 94 HB                                          |
| Contact bearer                           | UL 94 V-0                                         |
| <b>Approvals</b>                         |                                                   |
| UL                                       | UL                                                |
| <b>Packing unit</b>                      |                                                   |
| Packaging unit                           | 100 pieces                                        |
| <b>Scope of delivery and accessories</b> |                                                   |
| Accessories to order separately          | safety brackets STASI 2,<br>order no. 732 044-000 |