

D-SUB bus connector - SUBCON 15/M-SH - 2761606

Please be informed that the data shown in this PDF Document is generated from our Online Catalog. Please find the complete data in the user's documentation. Our General Terms of Use for Downloads are valid (<http://phoenixcontact.com/download>)



D-SUB connector, 15-pos, male connector, one cable entry < 35°, universal type for all systems, pin assignment: 1, 2, 3, ..., 14, 15 to screw connection terminal block

Why buy this product

- Easy assembly thanks to knurled screws
- High level of EMC
- Assembly under field conditions
- Flexibility in terms of cable entry selection
- For universal use

Key Commercial Data

Packing unit	1 STK
GTIN	 4 017918 101671
GTIN	4017918101671
Weight per Piece (excluding packing)	15.900 g
Custom tariff number	85366990
Country of origin	Germany

Technical data

Dimensions

Max. cable diameter	10 mm
Min. cable diameter	4 mm
Width	16 mm
Height	55 mm
Length	65 mm

Ambient conditions

Ambient temperature (operation)	-20 °C ... 75 °C
Ambient temperature (storage/transport)	-25 °C ... 80 °C

D-SUB bus connector - SUBCON 15/M-SH - 2761606

Technical data

Ambient conditions

Altitude	5000 m (For restrictions see manufacturer's declaration)
----------	--

General

Nominal voltage U_N	50 V
Nominal current I_N	100 mA
Signal	Modbus
Insertion/withdrawal cycles	> 200
SUBCON fixing screws	4-40 UNC
Tightening torque	0.4 Nm
Housing material	ABS, metal-plated
Pin assignment	All connections are 1:1 on the screw terminal block
MTTF	6706 Years (SN 29500 standard, temperature 25°C, operating cycle 21 % (5 days a week, 8 hours a day))
	1817 Years (SN 29500 standard, temperature 40 °C, operating cycle 34.25 % (5 days a week, 12 hours a day))
	155 Years (SN 29500 standard, temperature 40°C, operating cycle 100 % (7 days a week, 24 hours a day))

Connection data

Connection	D-SUB connection
Number of positions	15
Connection method	D-SUB connector
Connection	PCB connection
Connection method	Screw connection
Conductor cross section flexible min.	0.14 mm ²
Conductor cross section flexible max.	1 mm ²
Conductor cross section solid min.	0.14 mm ²
Conductor cross section solid max.	1.5 mm ²
Min. AWG conductor cross section, flexible	26
Max. AWG conductor cross section, flexible	18
Conductor cross section AWG min.	26
Conductor cross section AWG max.	16
Stripping length	5 mm
Tightening torque	0.4 Nm

Standards and Regulations

Free from substances that could impair the application of coating	according to P-VW 3.10.7 57 65 0 VW-AUDI-Seat central standard
Connection in acc. with standard	CUL
ATEX	# II 3 G Ex nA IIC T4 Gc X

Environmental Product Compliance

China RoHS	Environmentally Friendly Use Period = 50
------------	--

D-SUB bus connector - SUBCON 15/M-SH - 2761606

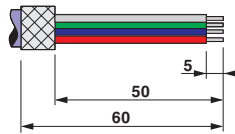
Technical data

Environmental Product Compliance

	For details about hazardous substances go to tab "Downloads", Category "Manufacturer's declaration"
--	---

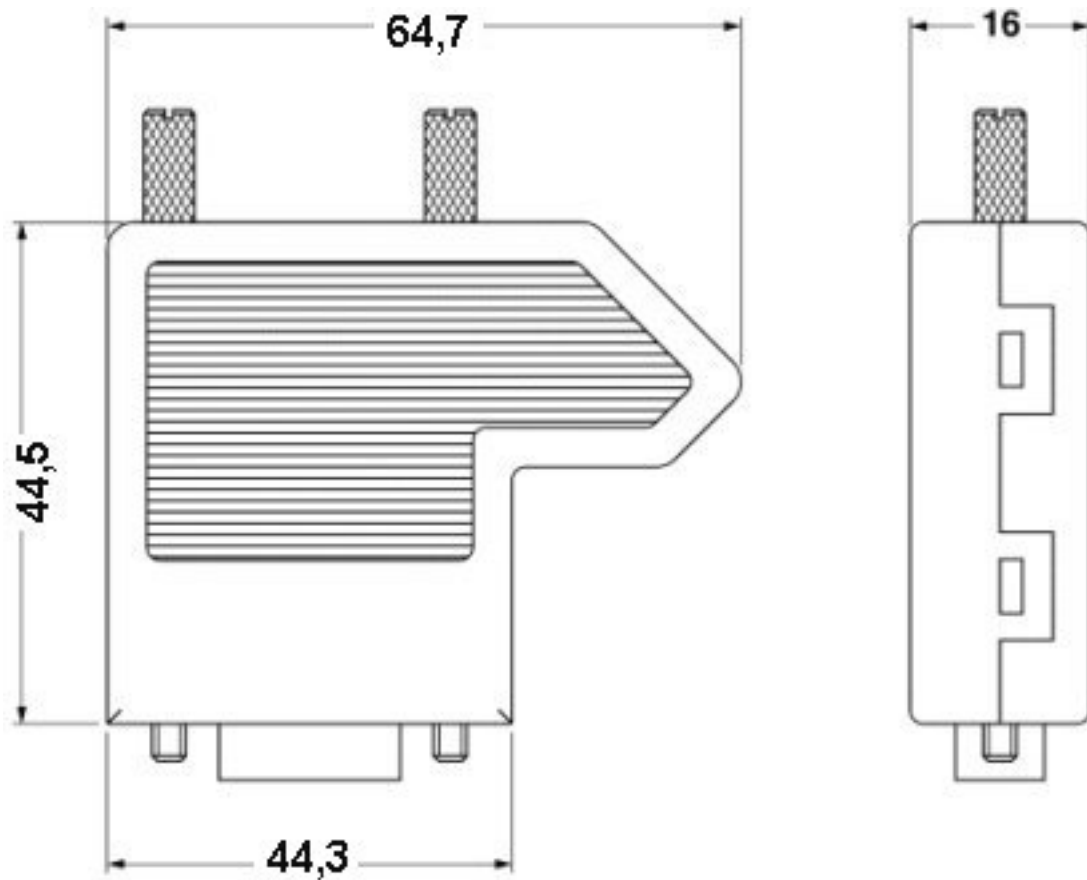
Drawings

Schematic diagram



Stripping specifications

Dimensional drawing



D-SUB bus connector - SUBCON 15/M-SH - 2761606

Classifications

eCl@ss

eCl@ss 4.0	27140816
eCl@ss 4.1	27140816
eCl@ss 5.0	27143424
eCl@ss 5.1	27143424
eCl@ss 6.0	27143424
eCl@ss 7.0	27440209
eCl@ss 8.0	27440302
eCl@ss 9.0	27440302

ETIM

ETIM 2.0	EC001132
ETIM 3.0	EC001132
ETIM 4.0	EC001132
ETIM 5.0	EC001132
ETIM 6.0	EC001132

UNSPSC

UNSPSC 6.01	30211802
UNSPSC 7.0901	39121402
UNSPSC 11	39121402
UNSPSC 12.01	39121402
UNSPSC 13.2	39121522

Approvals

Approvals

Approvals

UL Recognized / cUL Recognized / CSA / EAC / cULus Recognized

Ex Approvals

Approval details

UL Recognized		http://database.ul.com/cgi-bin/XYV/template/LISEXT/1FRAME/index.htm	FILE E 238705
---------------	--	---	---------------

D-SUB bus connector - SUBCON 15/M-SH - 2761606

Approvals

cUL Recognized		http://database.ul.com/cgi-bin/XYV/template/LISEXT/1FRAME/index.htm	FILE E 238705
----------------	--	---	---------------

CSA		http://www.csagroup.org/services/testing-and-certification/certified-product-listing/	2437602
-----	--	---	---------

EAC			EAC-Zulassung
-----	--	--	---------------

cULus Recognized		http://database.ul.com/cgi-bin/XYV/template/LISEXT/1FRAME/index.htm	
------------------	--	---	--

Accessories

Accessories

Data plug

D-SUB bus connector - SUBCON 15/F-SH - 2761596



D-SUB connector, 15-pos. female connector, one cable entry <math>< 35^\circ</math>, universal type for all systems, pin assignment: 1, 2, 3, ..., 14, 15 to screw connection terminal block

Mounting material

Screw - SUBCON-SHORT-SCREW - 2799694



Optional mounting screw, without knurl for narrow installation conditions, slotted head, length: 40 mm, UNC 4-40 thread Supplied as standard: 1 bag of 20 screws

Screw - SUBCON-RAENDEL-SCREW-3MM - 2310387



Optional mounting screw, with knurl for mounting by hand or using a screwdriver, bladed, length: 56 mm, metric M3 thread

D-SUB bus connector - SUBCON 15/M-SH - 2761606

Accessories

Bend protection sleeve - CPH 4-12 - 3212028



Bend protection sleeve, for cable diameter of 4 mm ... 12 mm, Diameter: 12 mm, Color: black

Screwdriver tools

Screwdriver - SZF 0-0,4X2,5 - 1204504



Actuation tool, for ST terminal blocks, also suitable for use as a bladed screwdriver, size: 0.4 x 2.5 x 75 mm, 2-component grip, with non-slip grip