

NETWORKING PC CABINET, TYPE 1



INDUSTRY STANDARDS

UL 508A Listed; Type 1; File Number E61997
cUL Listed per CSA C22.2 No 94; Type 1; File No. E61997

NEMA Type 1
EIA 310-D (when rack angle accessory is installed)

APPLICATION

Used for remote network access from a factory floor or warehouse, the Networking PC Cabinet is built to house PCs, keyboards and printers for data entry as well as LAN and WAN equipment. Key-lock doors provide security and physical protection for equipment that is passively cooled by air taken in from the front of the cabinet and expelled through fan cutouts in the rear. Optional fans may be installed for added cooling.

FEATURES

- Keylocking flush door handles on both upper and lower front doors
- Quarter-turn keylocks on rear door, side panels and keyboard door
- All locks keyed alike; two keys supplied with cabinet
- Front doors hinged on left; rear door can be hinged right or left
- Side panels easily removable
- Base is pre-punched for casters which are recessed when installed. Caster kit available as an accessory.
- Adjustable gland plate with strain relief at bottom rear of cabinet provides easy, secure cable entry

SPECIFICATIONS

- Welded steel frame with accessory mounting struts
- Steel keyboard with ball-bearing pull-out slides and keylock
- Clear safety-glass window in upper front door
- Louvers on lower quarter of rear door
- Top has one 4-in. cable entry port knockout with cap included and one 6-in. fan-ready cutout with integral finger guard
- Doors and side panels inset flush with frame

FINISH

Pretreated steel coated with RAL 9005 black textured, low-gloss polyester powder paint. Other finishes available—contact Hoffman Customer Service.

ACCESSORIES

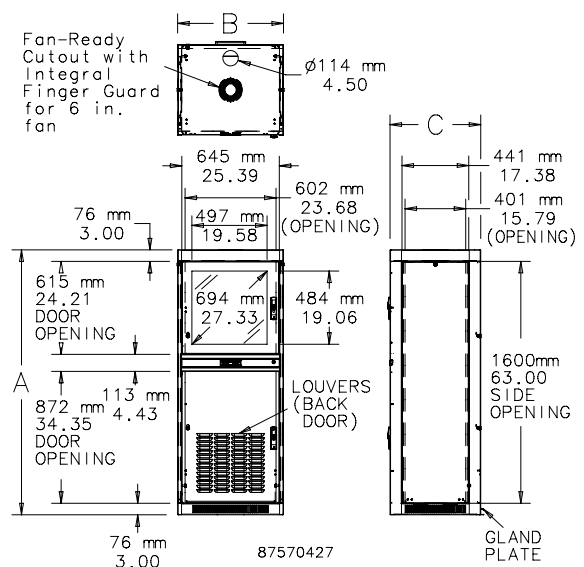
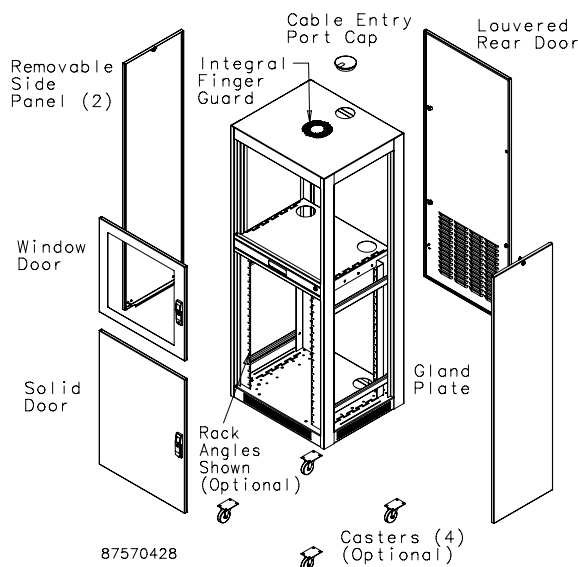
Network Cabinet Caster Kit
Networking PC Cabinet Rack Angle
Networking PC Cabinet Shelf

Rack Angle and Shelf cannot be used together.

BULLETIN: DNCS

Standard Product

Catalog Number	AxBxC in.	AxBxC mm	Description
ENC1776PC	66.93 x 27.56 x 23.62	1700 x 700 x 600	19-in. Networking PC Cabinet

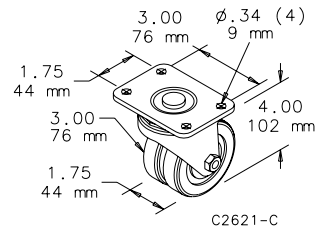


NETWORK CABINET CASTER KIT

Package of four. Fits Network Cabinet and Networking PC Cabinet. Mounts to predrilled holes in base. Recessed when installed. Load rating: 350 lb. (159 kg) per caster.

BULLETIN: DNC

Catalog Number	Description
DLCASTERS	Set of four double casters



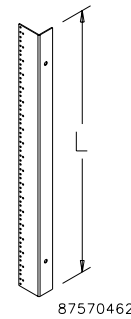
NETWORKING PC CABINET RACK ANGLE



Provides 19 RU. Allows use of most 19-in. rack-mount accessories. See Selected Networking PC Cabinet Accessories. Package includes two rack angles and mounting hardware. Required for accessories noted in Selected Networking PC Cabinet Accessories table; not compatible with EPCEQS Shelf.

BULLETIN: DNCY

Catalog Number	Length (mm)	Length (in.)	Rack Units	Kit Qty.
ERA1910TPL	848	33.37	19	2



NETWORKING PC CABINET SHELF

Steel shelf for use in the lower compartment of the Networking PC Cabinet. Compartment accommodates up to two shelves. Shelf mounts to accessory mounting struts and can be adjusted in 1-in. (25-mm) intervals inside cabinet. Shelf installs without rack angles. Not compatible with ERA1910TPL.

BULLETIN: DNCS

Catalog Number	Description
EPCEQS	Shelf for lower compartment

