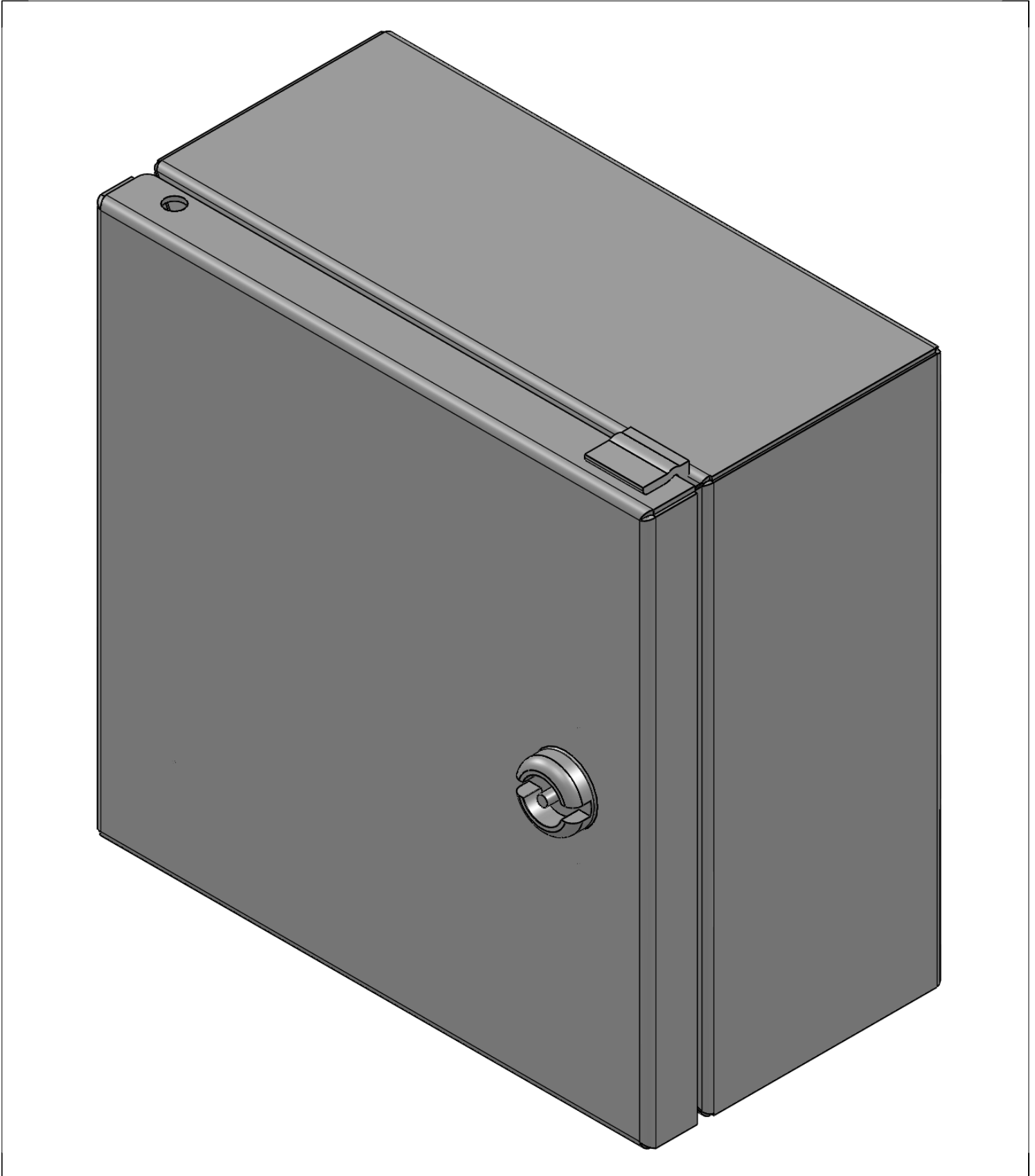
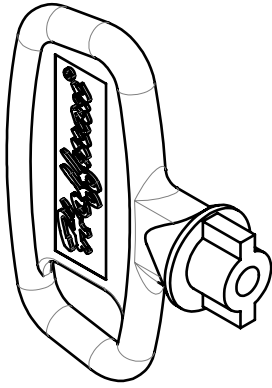
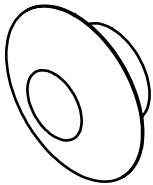
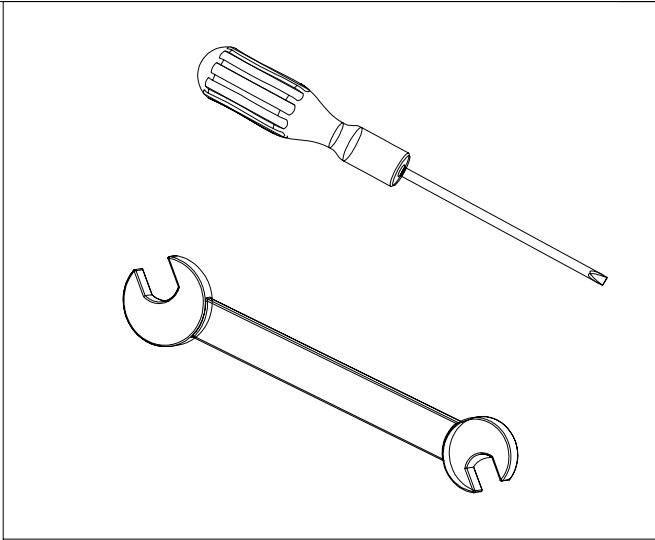


**USER MANUAL  
WALL-MOUNTED ENCLOSURE  
GL66 MHC**

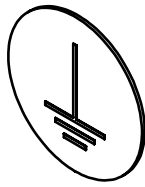




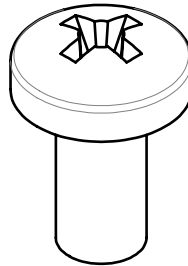
1 (1x)



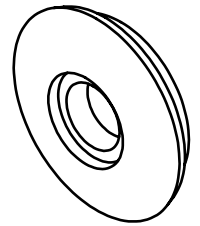
2 (4x)



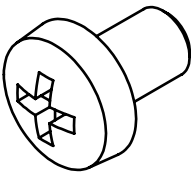
3 (2x)



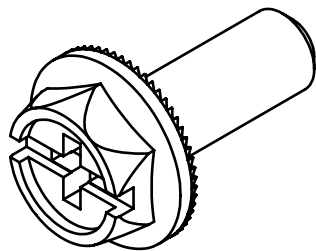
4 (4x)



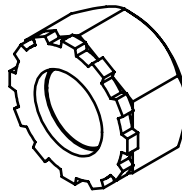
5 (4x)



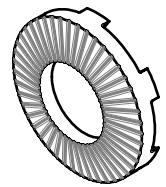
6 (0x)



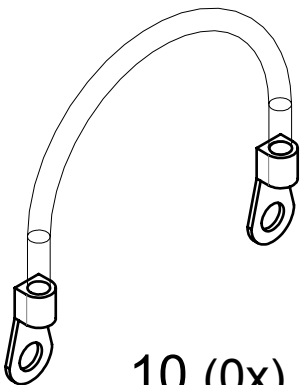
7 (1x)



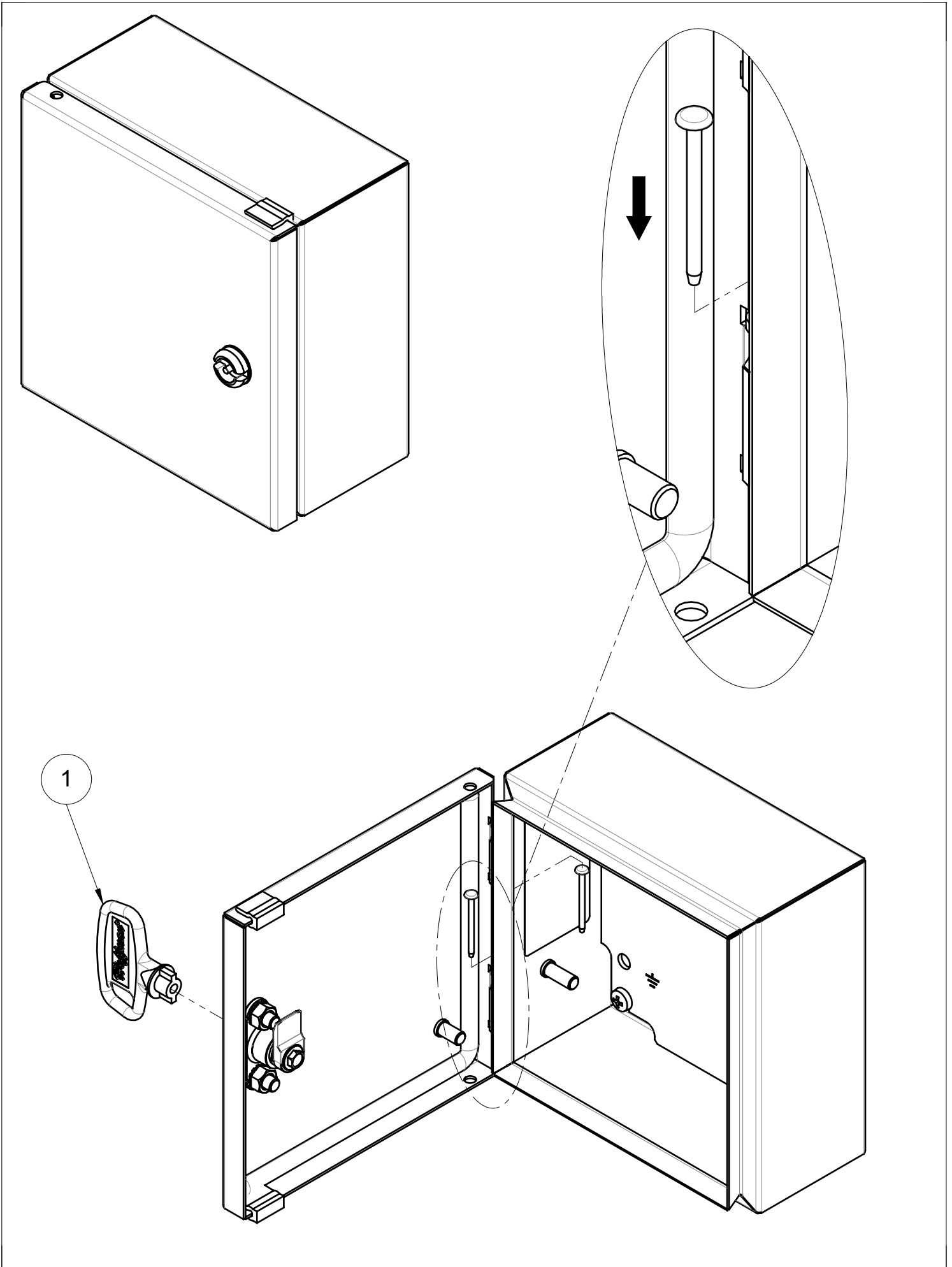
8 (7x)

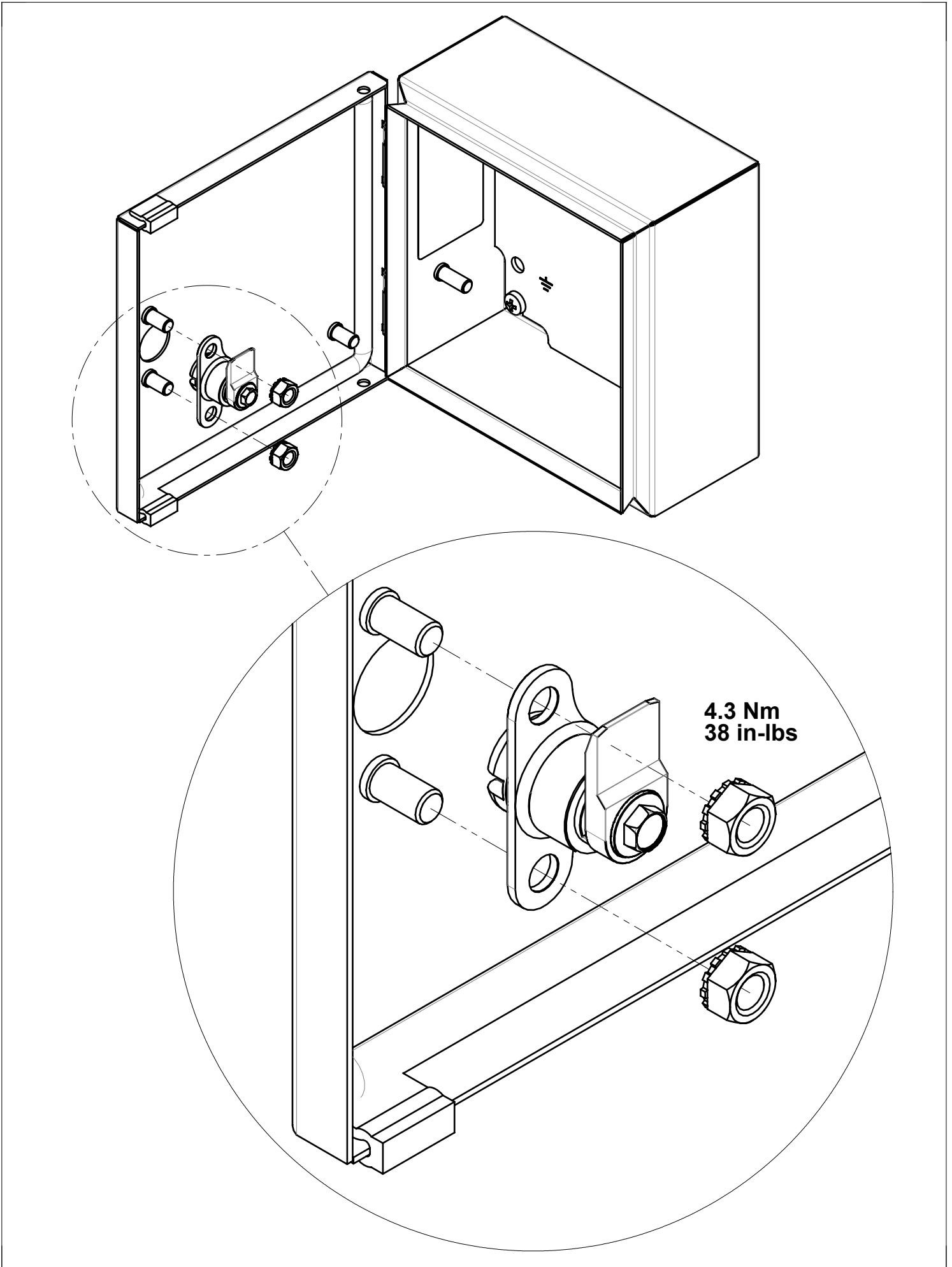


9 (3x)

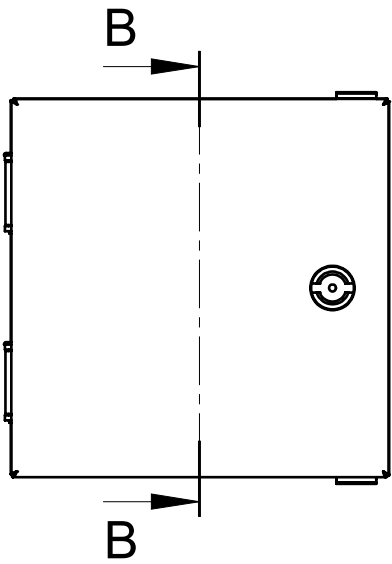


10 (0x)

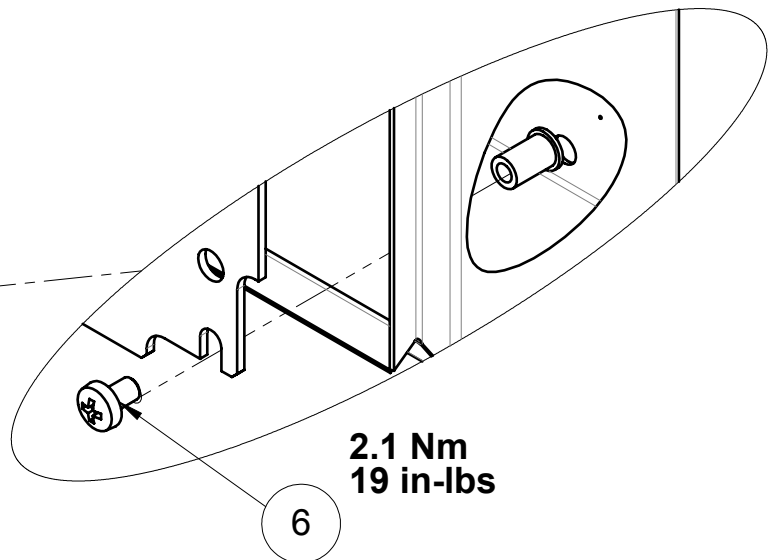
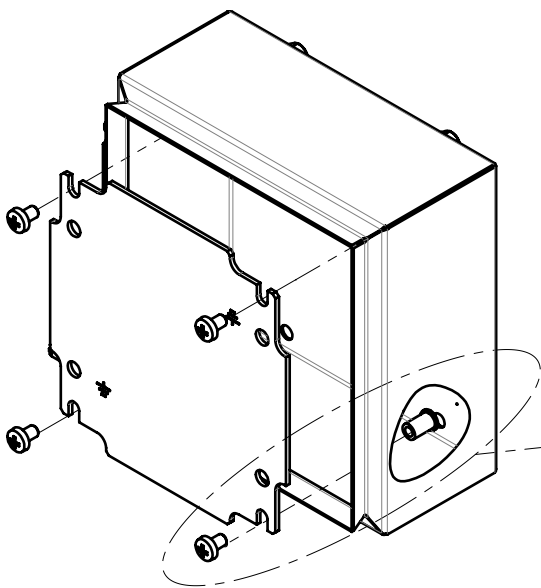
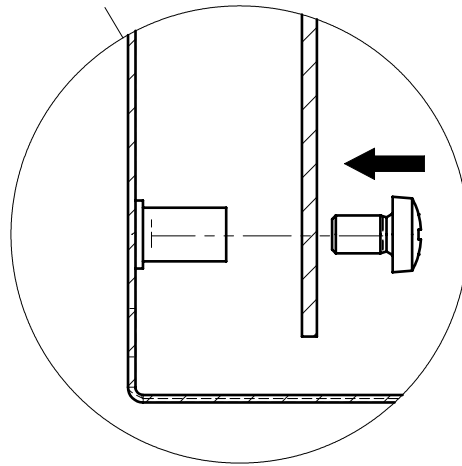
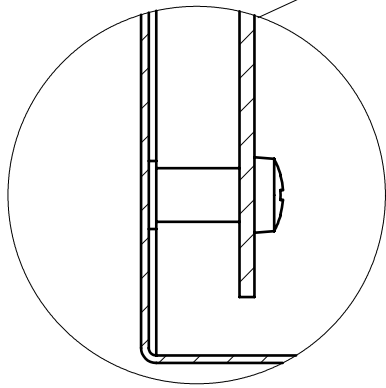
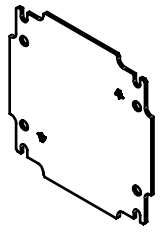
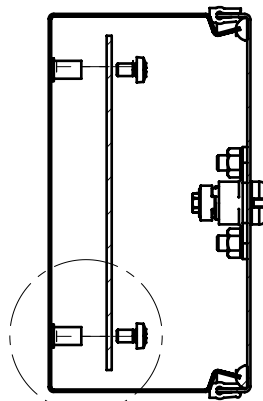




M...PE

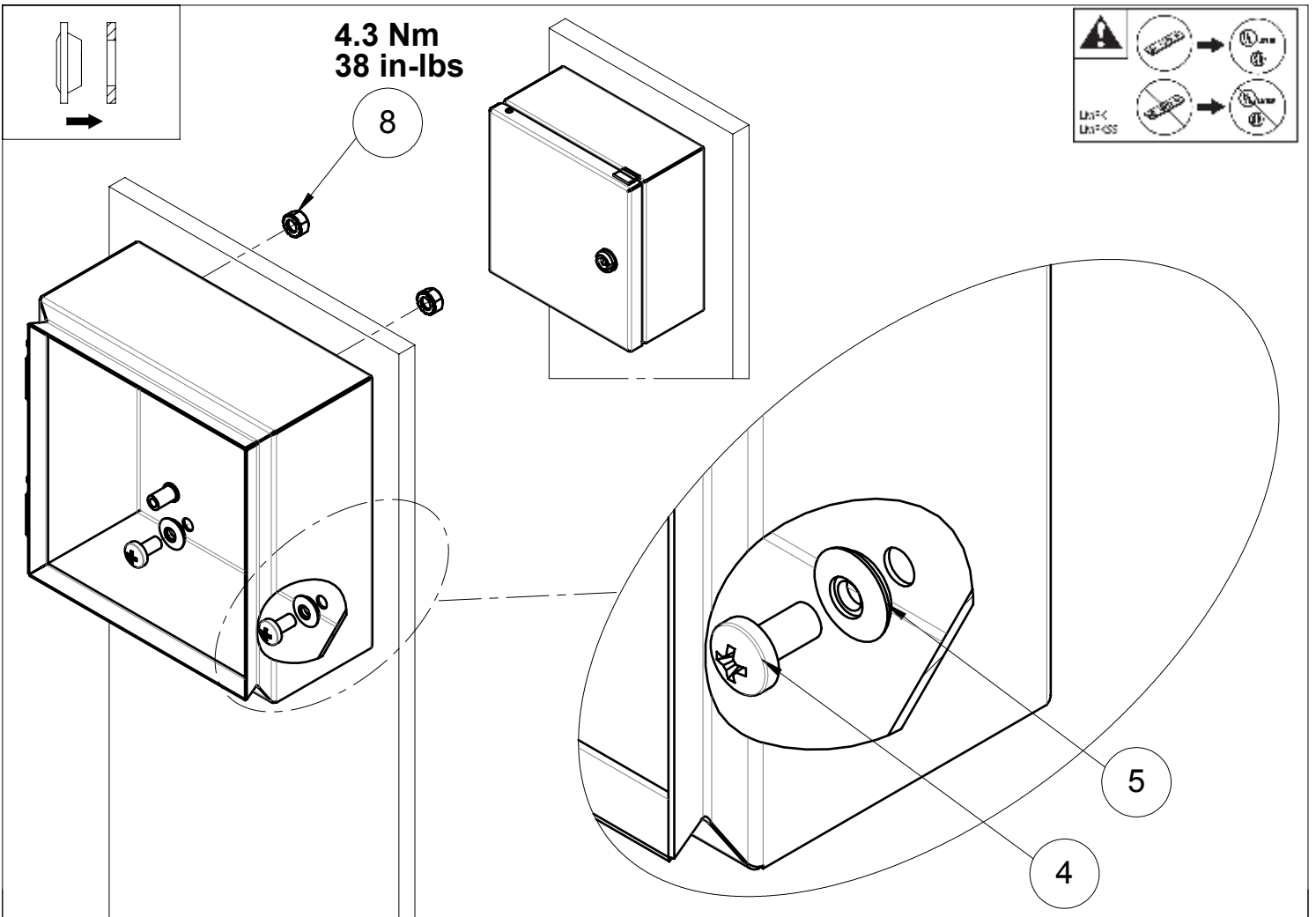
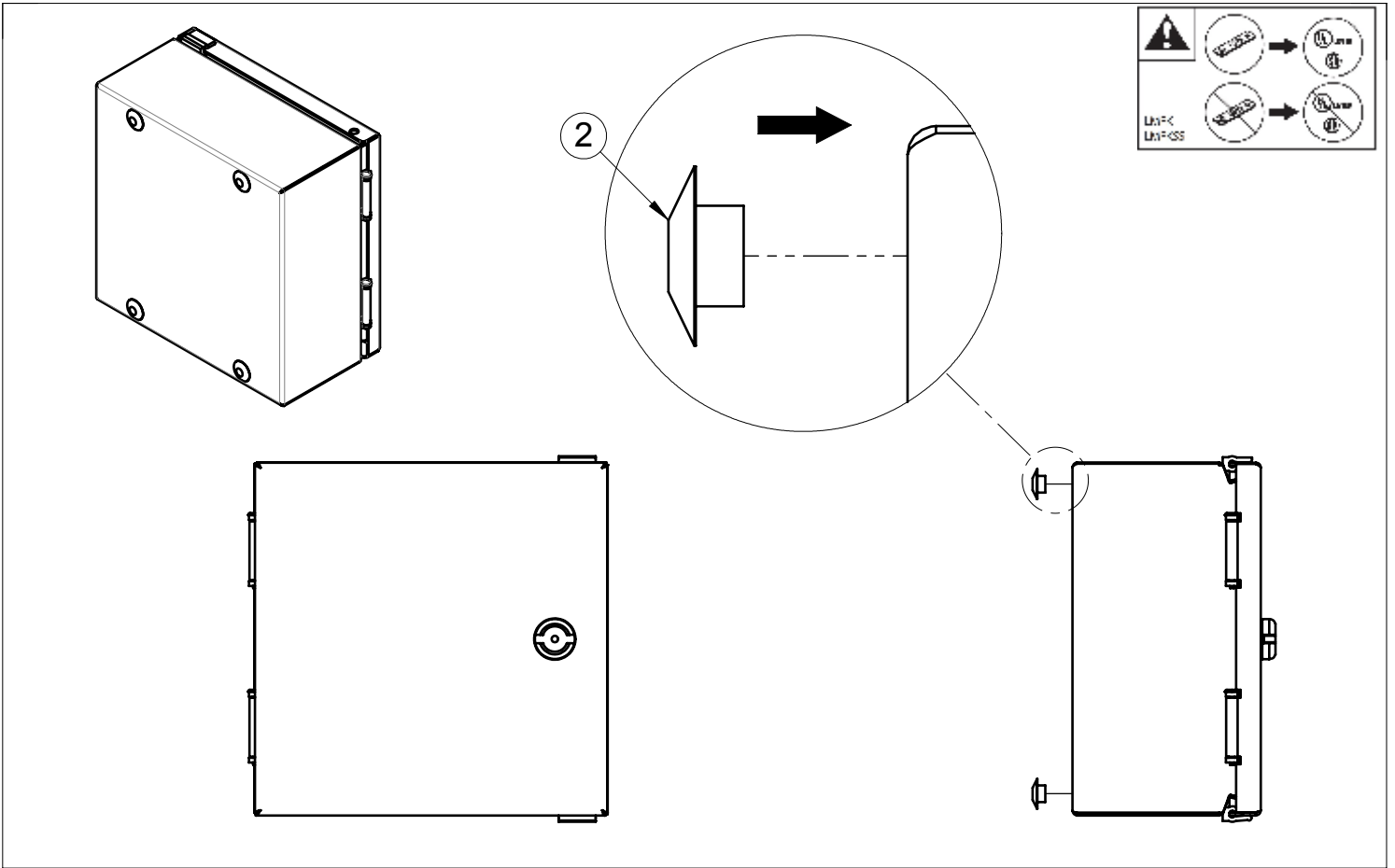


B-B

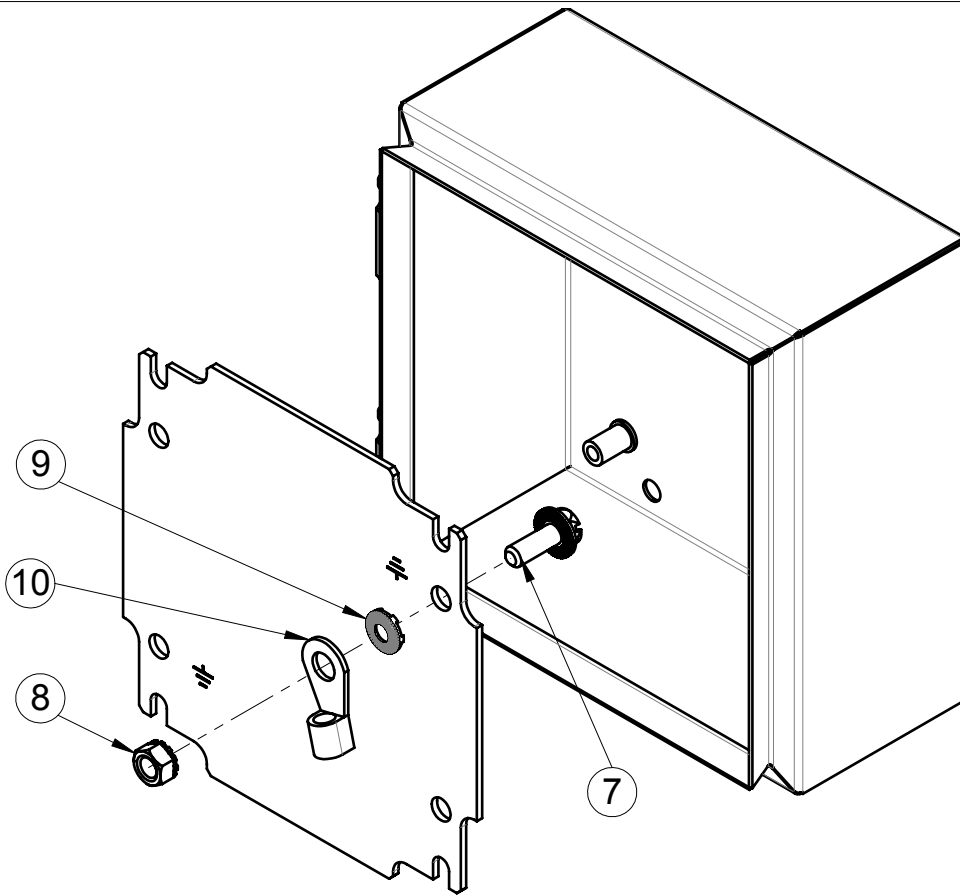


2.1 Nm  
19 in-lbs

6



4.3 Nm  
38 in-lbs



4.3 Nm  
38 in-lbs

