

RJ45 connector - VS-08-RJ45-10G/Q - 1419001

Please be informed that the data shown in this PDF Document is generated from our Online Catalog. Please find the complete data in the user's documentation. Our General Terms of Use for Downloads are valid (<http://phoenixcontact.com/download>)




RJ45 connector, IP20, CAT6_A, 8-pos., with QUICKON fast connection technology, for 26 ... 24 AWG 1-wire and 7-wire conductors, color: black

Why buy this product

- assembly without special tools
- UL
- Solid and stranded wires (1- and 7-wire)



Key Commercial Data

Packing unit	1 STK
GTIN	 4 046356 521567
GTIN	4046356521567
Weight per Piece (excluding packing)	12.000 g
Custom tariff number	85366990
Country of origin	Germany

Technical data

Mechanical characteristics

Number of positions	8
Connection profile	RJ45
Shielded	yes
Insertion/withdrawal cycles	≥ 750
Connection method	IDC fast connection
Conductor cross section	0.13 mm ² ... 0.21 mm ² (solid) 0.14 mm ² ... 0.23 mm ² (7-wire)
Connection cross section AWG	26 ... 24 (solid) 26 ... 24 (7-wire)

RJ45 connector - VS-08-RJ45-10G/Q - 1419001

Technical data

Mechanical characteristics

Max. cable diameter	4.5 mm ... 8 mm
External cable diameter	4.5 mm ... 8 mm
Cable exit	straight
Color	yellow
Degree of protection	IP20
Design	RJ45, IP20
No. of cable outlets	1

Ambient conditions

Ambient temperature (operation)	-40 °C ... 70 °C
---------------------------------	------------------

Material data

Flammability rating according to UL 94	V2
Housing material	PA 6.6
Contact carrier material	PC
Contact material	CuSn
Contact surface material	Gold over nickel

Electrical characteristics

Number of positions	8
Nominal voltage U_N	50 V
Nominal current I_N	1.75 A
Transmission speed	10 Gbps
Transmission characteristics (category)	CAT6 _A (IEC 60512-27-100:2008, TIA-568-C.2:2009)
GRP transmission properties	CAT6 _A (IEC 60512-27-100:2008, TIA-568-C.2:2009)
Frequency range	to 500 MHz
Rated current	1.75 A
Overvoltage category	I
Degree of pollution	2

Standards and Regulations

Flammability rating according to UL 94	V2
--	----

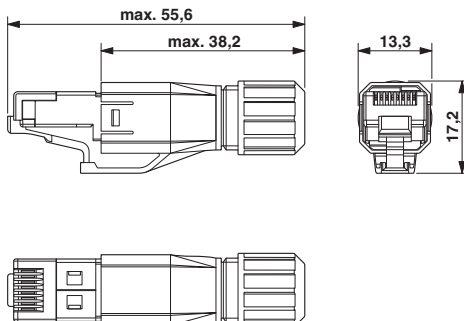
Environmental Product Compliance

REACH SVHC	DOTe 15571-58-1
China RoHS	Environmentally Friendly Use Period = 50
	For details about hazardous substances go to tab "Downloads", Category "Manufacturer's declaration"

Drawings

RJ45 connector - VS-08-RJ45-10G/Q - 1419001

Dimensional drawing



RJ45 connector, IP20

Classifications

eCl@ss

eCl@ss 4.0	27140816
eCl@ss 4.1	27260701
eCl@ss 5.0	27260701
eCl@ss 5.1	27260701
eCl@ss 6.0	27260705
eCl@ss 7.0	27440309
eCl@ss 8.0	27440101
eCl@ss 9.0	27440101

ETIM

ETIM 2.0	EC000764
ETIM 3.0	EC001121
ETIM 4.0	EC002641
ETIM 5.0	EC002636
ETIM 6.0	EC002636

UNSPSC

UNSPSC 6.01	30211824
UNSPSC 7.0901	31261501
UNSPSC 11	31261501
UNSPSC 12.01	31261501
UNSPSC 13.2	39121409

Approvals

Approvals

RJ45 connector - VS-08-RJ45-10G/Q - 1419001

Approvals

Approvals

UL Listed / cUL Listed / EAC / cULus Listed

Ex Approvals

Approval details

UL Listed		http://database.ul.com/cgi-bin/XYV/template/LISEXT/1FRAME/index.htm E335024-20150529
Nominal current IN	1.75 A	
Nominal voltage UN	57 V	

cUL Listed		http://database.ul.com/cgi-bin/XYV/template/LISEXT/1FRAME/index.htm E335024-20150529
Nominal current IN	1.75 A	
Nominal voltage UN	57 V	

EAC		B.01742
-----	--	---------

cULus Listed		
--------------	--	--

Accessories

Accessories

Stripping tool - VS-CABLE-STRIP-VARIO - 1657407

Stripping tool, for the multi-level stripping of shielded cables



