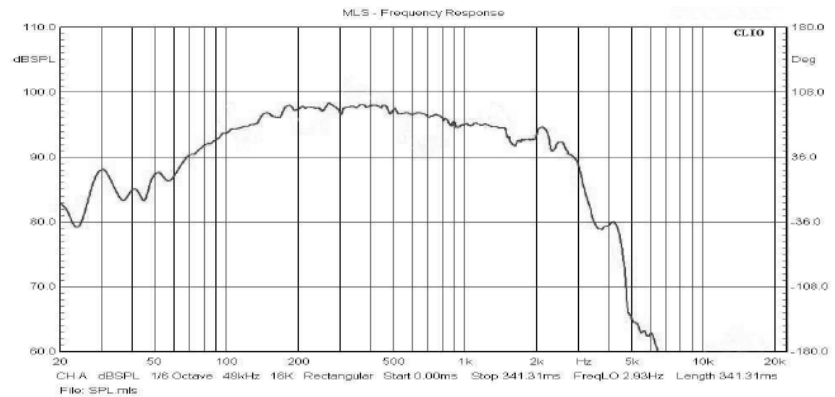
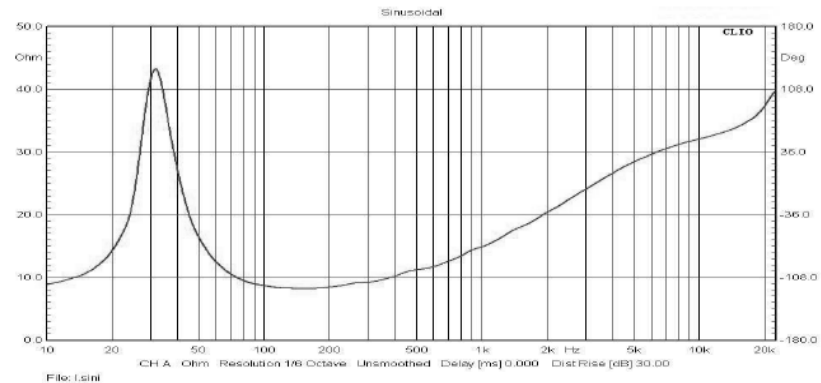
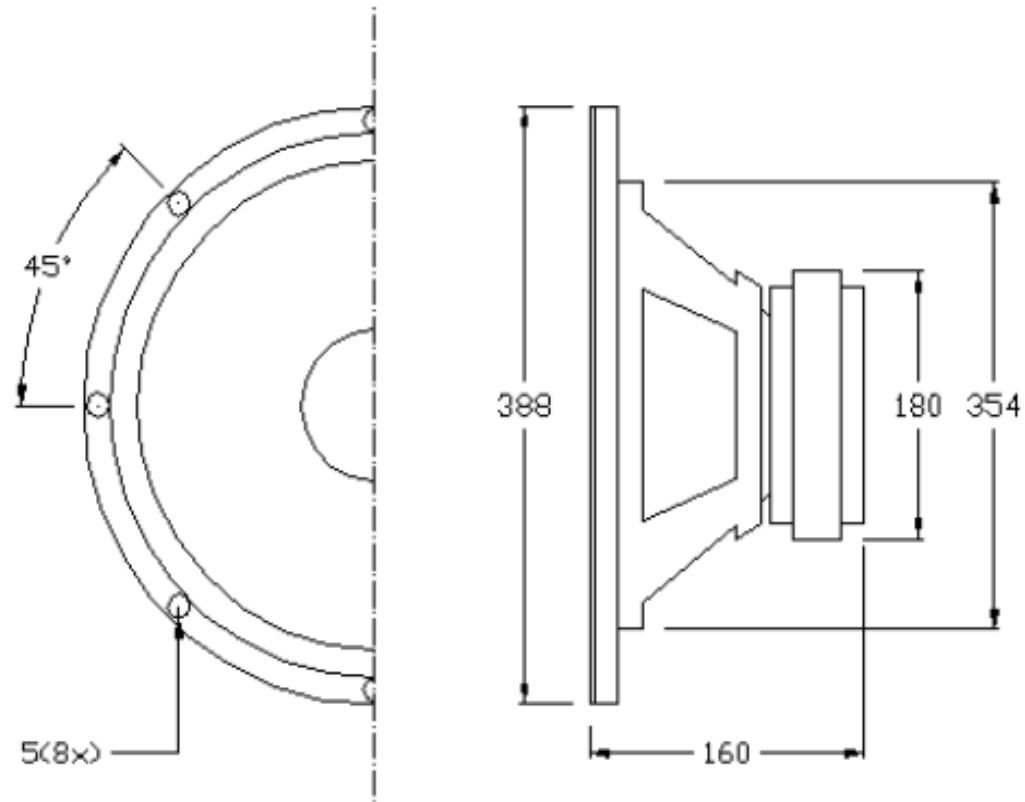


<b>Model Number:</b>	<b>55-2963</b>	
<b>GENERAL SPECIFICATIONS</b>		
Nominal Diameter:	15 inch	
Rated Impedance:	8 ohms	
Operating Bandwidth:	32Hz ~ 3KHz	
Power Handling Capacity:	200W RMS	
Sensitivity (1W/M):	97 dB	
Voice Coil Diameter:	3 inch	
<b>THIELE-SMALL PARAMETER</b>		
Resonance Frequency	Fs:	32 Hz
DC Resistance	Re:	7.2 ohm
Mechanical Q Factor	Qms:	3.3
Electrical Q Factor	Qes:	0.437
Total Q Factor	Qts:	0.39
Equivalent Cas air load	Vas:	286 liters
Coil Inductance	Le:	1.6188 mH
Efficiency Bandwidth Product	EBP	73.23
Voice Coil Over Hang	X-max	7.5mm
<b>PHYSICAL INFORMATION</b>		
Basket:	Cast Aluminium	
Magnet Type:	67 OZ	
Cone Material:	None press paper	
Surround:	cloth	
Dust Cap:	paper	
Damper:	cloth	





ALL DIMENSIONS ARE IN MILLIMETERS