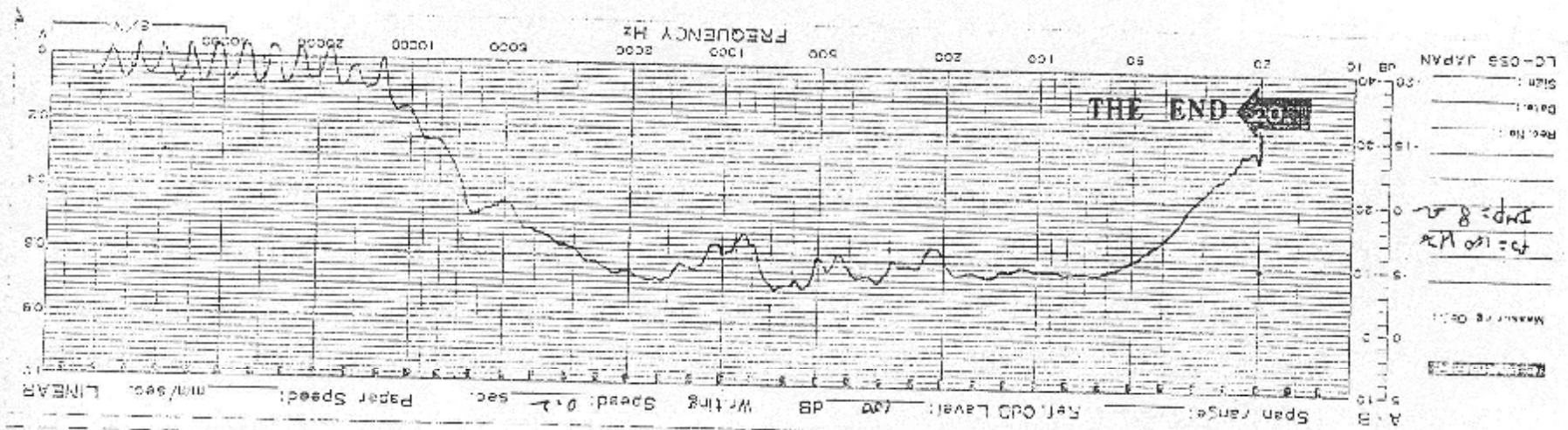


MCM Custom Audio
 Model 55-1240
 Clear Polypropylene Woofer

ITEMS	SPECIFICATIONS
1 DIMENSIONS	205 MM (8 INCH)
2 IMPEDANCE	8 ± 1.2 OHM(0.4 KHZ 1.0 V)
3 INPUT	RATED - W , MAX 80 W
4 LOWEST RESONANT FREQUENCY	40 ± 8 Hz (1.0 V)
5 SOUND PRESSURE LEVEL	91 ± 2 dB/W (2.83 V , 0.5 M) AVERAGE
6 EFFECTIVE FREQUENCY RANGE	AT 0.2 , 0.3 , 0.4 , 0.5 KHZ
7 DISTORTION FACTOR	FO ~ 5000 Hz
8 FLUX DENSITY	5.0 % MAX (AT 0.4 KHZ , 10 W , 0.5 M)
9 TOTAL FLUX	— ± — GAUSS
10 POLARITY	— ± — MAXWELL
11 SINE WAVE TEST	WHEN A POSITIVE DC CURRENT IS APPLIED TO THE TERMINAL MARKED + , THE DIAPHRAGM SHALL MOVE FORWARD .
12 MAGNET	8 V
13 WEIGHT	100 . 60 . 15 MM(377 GRAMS) (13.3 HOZ)
14 DROP TEST	. . . MM(GRAMS) (OZ)
15 LIFE TEST	1280 GRAMS (45.15 OZ)
16 HUMIDITY TEST	THE SPEAKER SHALL BE DROPPED ALONG A FLAT PLATE 15° INCLINED FROM THE VERTICAL. THEN LET THE MAGNETIC FIELD PART IMPACT THE MAGNETIC BLOCK AT THE BOTTOM OF THE SLIDE. NO ANY STRUCTURAL OR ACOUSTIC DEFECT SHALL OCCUR AS A RESULT OF THIS TEST. THE DROP DISTANCE IS 1 METER.
17 TEMPERATURE TEST	80 W 96 H EIA WHITE NOISE
	43 °C 92 2 % RH 96 H
	70 °C 96 H



LC-055 JAPAN
 Size: _____
 Date: _____
 Rec. No.: _____

to 150 Hz
 DHP = 8.2

Measuring Osc.: _____

REVERSE

REVERSE



SCIENTIFIC DESIGN SOFTWARE
Driver Parameters From Measurement Data

Date: 12-10-1993
Data for driver:

Entered Data as follows:

Entered driver DC resistance (Re) 5.90 ohms
Entered driver resonance frequency (Fs) 38.00 hertz
Entered driver maximum impedance at Fs 25.60 ohms
Entered driver F1 frequency 27.00 hertz at 12.30 ohms
Entered driver F2 frequency 51.00 hertz at 12.30 ohms
Calculated Square root of F1*F2 37.10 hertz
Calculated error factor 2.40 percent
Compliance calculated by ADDED MASS method
Entered added mass 10.00 grams
Entered driver new resonance frequency 30.00 hertz
Entered driver piston diameter 164.00 mm
Entered driver magnet gap depth 6.00 mm
Entered driver voice coil length 14.50 mm

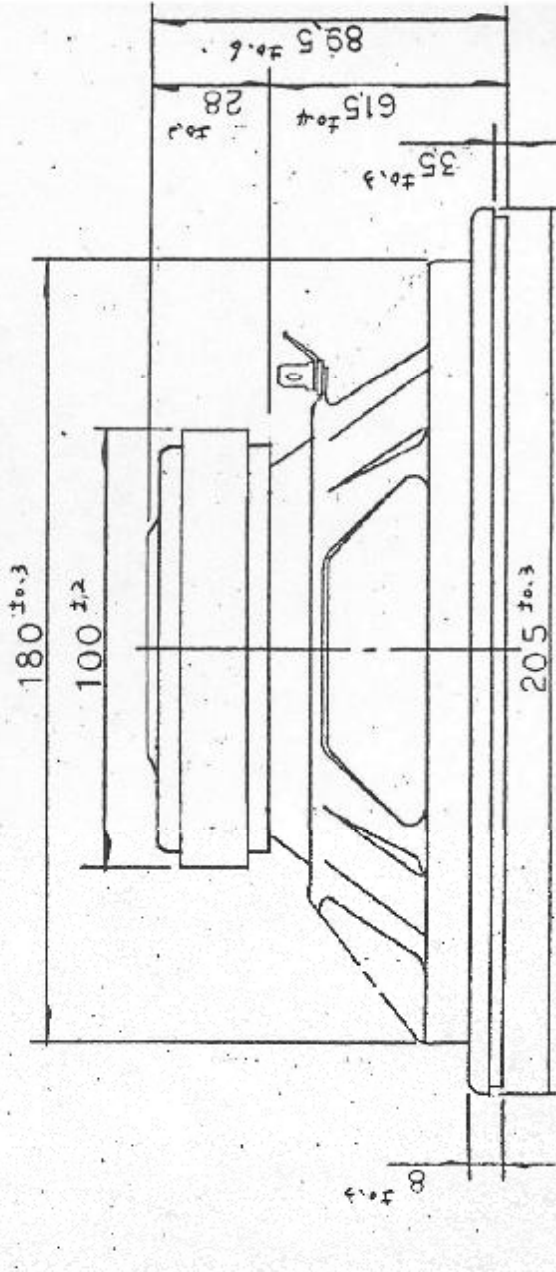
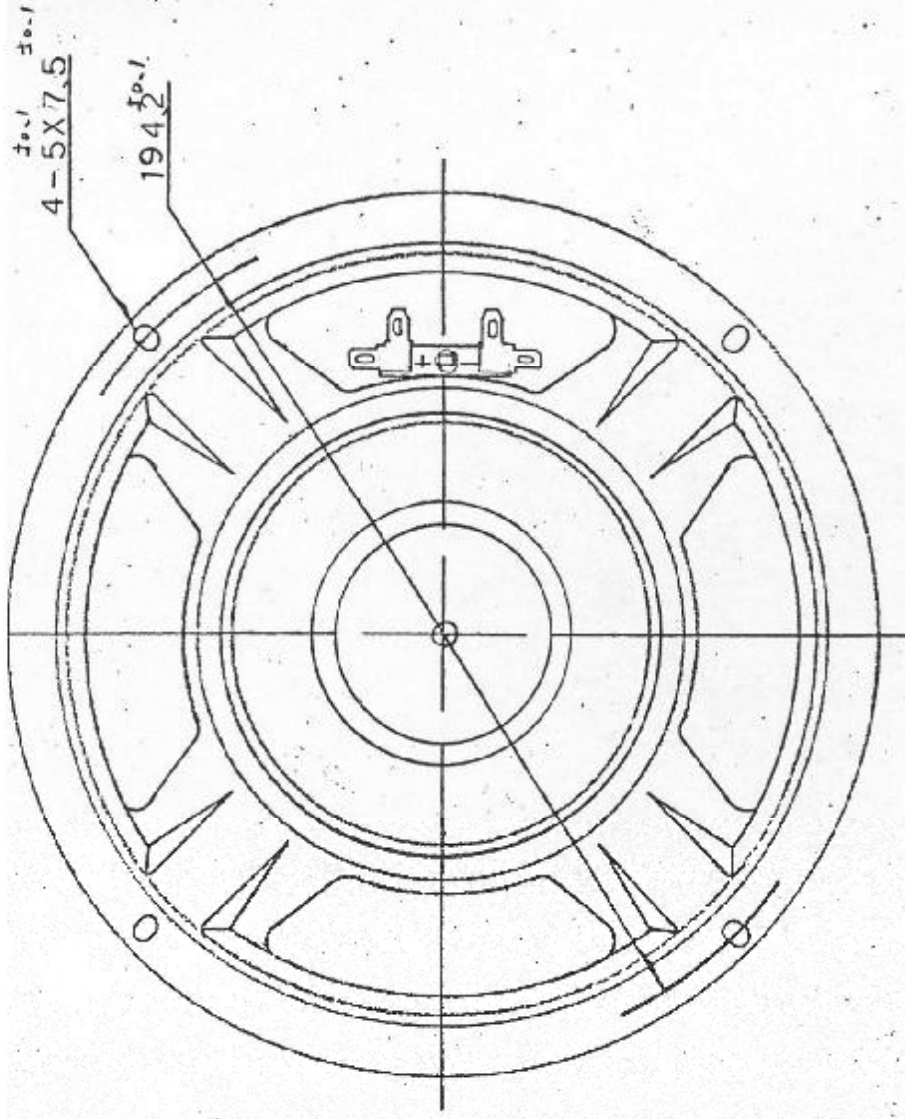
Calculated Thiele/Small Parameters:

Free Air Resonance (Fs) = $\text{SQRT}(F1*F2)$ 37.10 hertz
Qts 0.7421
Qes 0.9644
Qms 3.22
Equivalent acoustic compliance (Vas) 61.05 liters
Piston area (Sd) 0.0211 square meters
DC resistance (Re) 5.90 ohms
Volume displacement (Vd) 89.78 ccm
Linear displacement (Xmax) 4.25 mm
Power handling (Pe) 40W/80W RMS/peak
Coil Inductance (Le) 0.74mH
Reference Efficiency (Ref Eff) 0.31 percent
Efficiency Bandwidth Product (EBP) 38.47 hertz

Other Calculated Data:

Moving Mass of Diaphragm only (Mmd) 17.15 grams
Moving Mass of Diaphragm & Air Load (Mms) 18.89 grams
Mass of Air load on diaphragm (Ma) 1.74 grams
Compliance (Cms) 0.00098 m/N
BL product (BL) 5.19 N/A
Sensitivity (SPL 1w/1m) 86.92 dB

END OF REPORT



89.5
28
61.5
35

MATERIAL	SCALE	QUANTITY
	0.6	
FINISH	TOLERANCE	ANGLE
	\pm	\pm
TITLE 8" Woofer Model 55-1240		
ON 5		