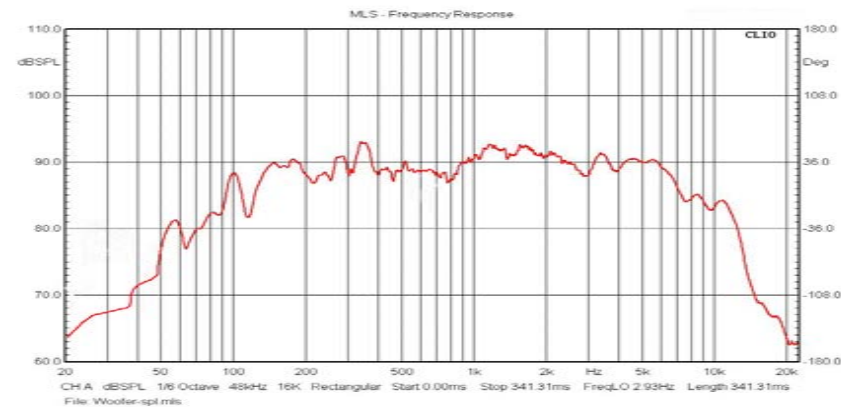
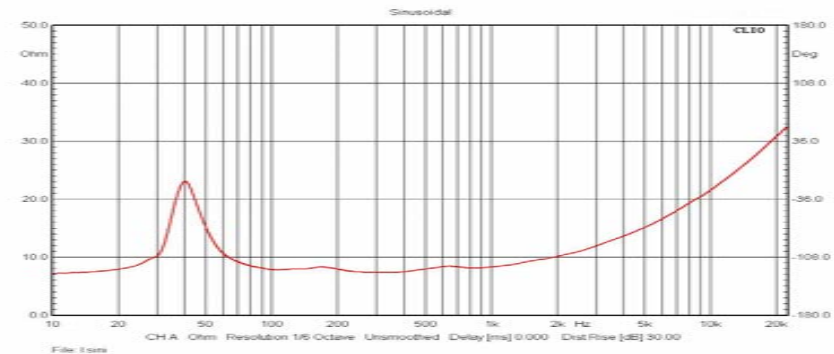


MCM AUDIO SELECT™

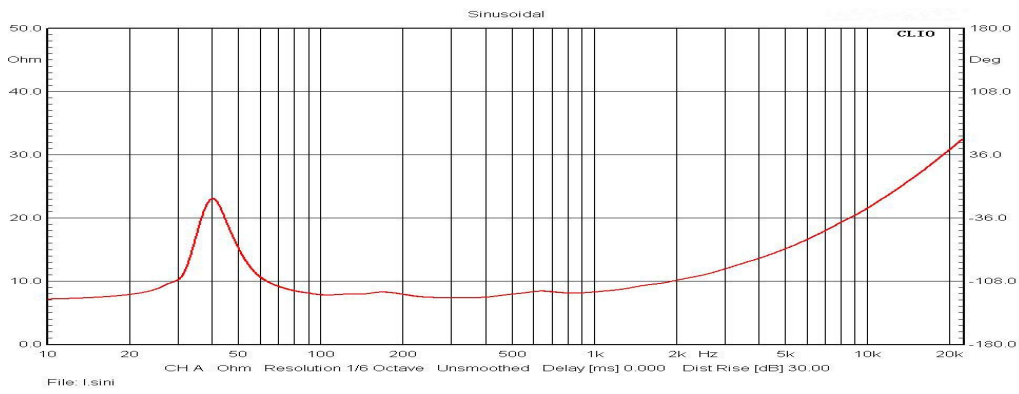
SPEAKER SPECIFICATIONS

Model Number:	55-2970	
GENERAL SPECIFICATIONS		
Nominal Diameter:	6.5 inch	
Rated Impedance:	8 ohms	
Operating Bandwidth:	60-8k hz (-3dB)	
Power Handling Capacity:	50 Watts	
Sensitivity (1W/M):	88 dB(+3dB)	
Voice Coil Diameter:	1 inch	
THIELE-SMALL PARAMETERS		
Resonance Frequency	Fs:	40 HZ
DC Resistance	Re:	7.2 ohm
Mechanical Q Factor	Qms:	3.66
Electrical Q Factor	Qes:	0.4796
Total Q Factor	Qts:	0.424
Equivalent Cas air load	Vas:	26.93 L
Surface Area of Cone	Sd:	0.0139 m ²
Efficiency Bandwidth Product	EBP	83.4
Voice Coil Over Hang	X-max	3.5 mm
Voice Coil Inductance	Le	0.3875mH
PHYSICAL INFORMATION		
Basket:	Pressed steel chassis	
Magnet Type:	16.6 OZ	
Cone Material:	PP	
Surround:	Rubber	
Dust Cap:	PP	
Damper:	cloth	

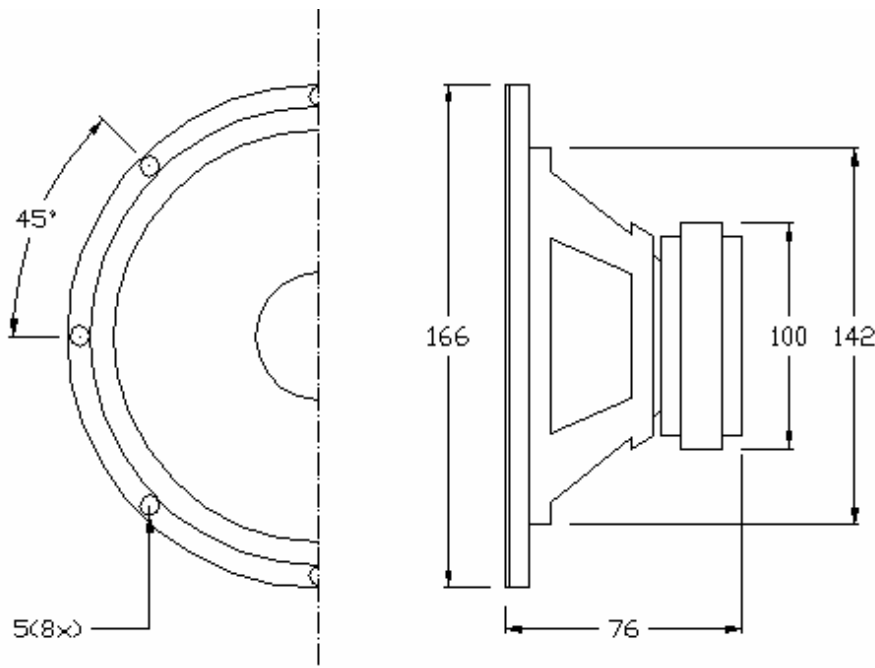
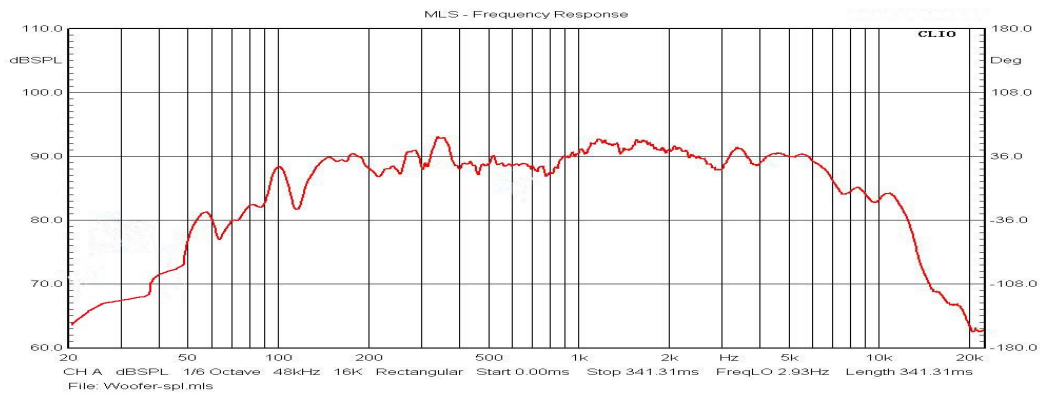


Date: 2010/6/28

Impedance Curve



Response Curve



55-2970