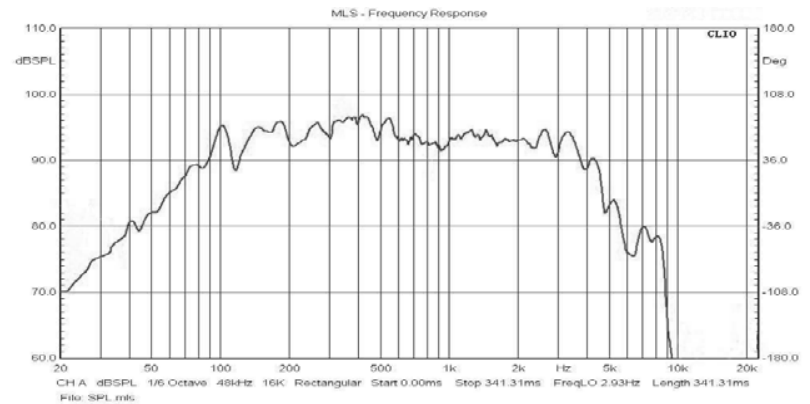
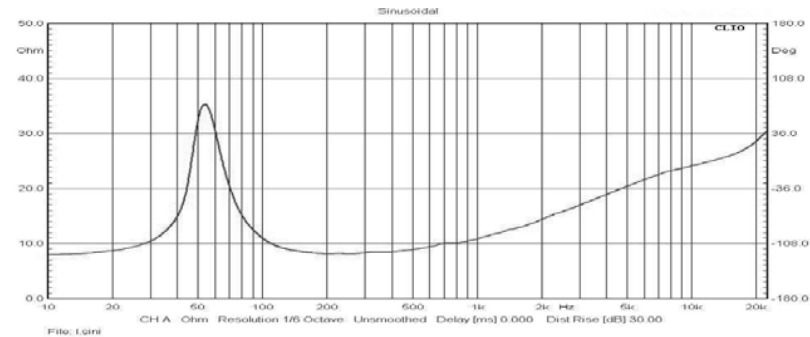
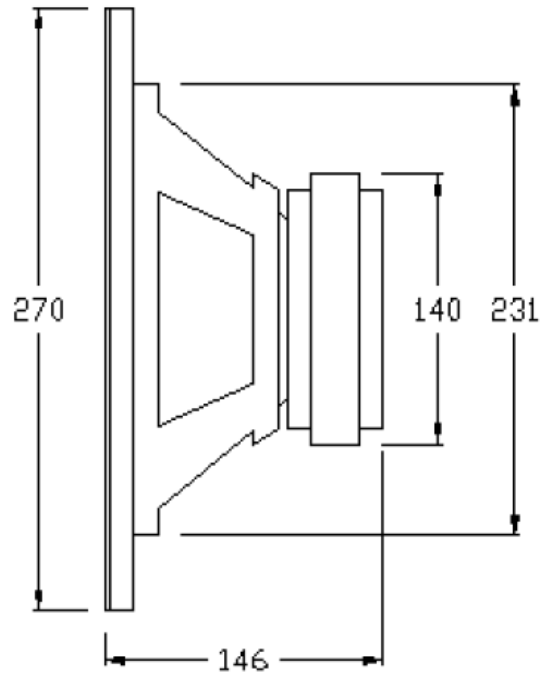
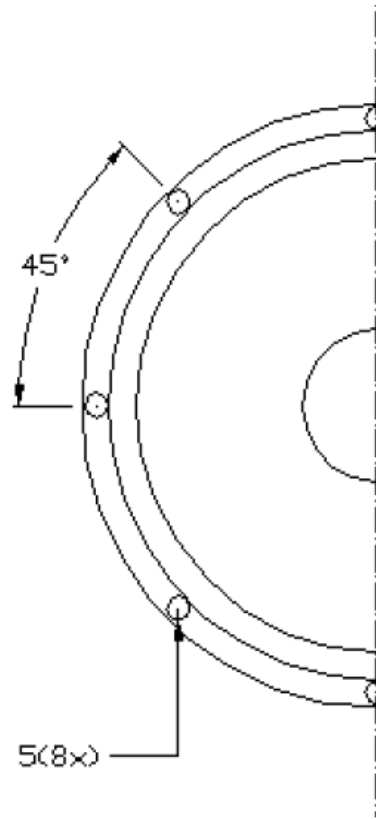


Model Number:	55-2961	
GENERAL SPECIFICATIONS		
Nominal Diameter:	10 inch	
Rated Impedance:	8 ohms	
Operating Bandwidth:	52Hz ~ 4KHz (-3dB)	
Power Handling Capacity:	100W RMS	
Sensitivity (1W/M):	96 dB	
Voice Coil Diameter:	2 inch	
THIELE-SMALL PARAMETERS		
Resonance Frequency	Fs:	52 Hz
DC Resistance	Re:	7.2 ohm
Mechanical Q Factor	Qms:	2.6
Electrical Q Factor	Qes:	0.324
Total Q Factor	Qts:	0.29
Equivalent Cas air load	Vas:	55.8 liters
Coil Inductance	Le:	0.9985 mH
Efficiency Bandwidth Product	EBP	160.49
Voice Coil Over Hang	X-max	7.0mm
PHYSICAL INFORMATION		
Basket:	Cast Aluminium	
Magnet Type:	40 OZ	
Cone Material:	None press paper	
Surround:	cloth	
Dust Cap:	paper	
Damper:	cloth	





ALL DIMENSIONS ARE IN MILLIMETERS