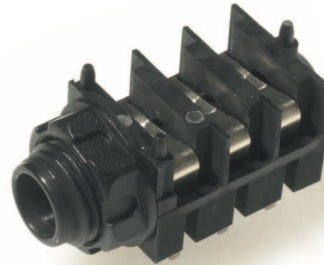


S1 / BNB Mono



S1 / BBB Stereo



S1 / BBB Special Nose



Coloured Nuts



EMI / RFI Screen



Slotted Ring Nut



Hex Chrome Nut

The **CLIFF**® range of S1 1/4" Mini Jacks incorporate significant new design features. The narrow-bodied design supports auto insertion and offers the highest board packing density available. Designed for snap-in PCB mounting to facilitate assembly and wave soldering, the S1 is available with chassis grounding and a choice of switching configurations, nose and mounting nut options.

Significant features include:

- Narrow body versions offering the highest board packing density available.
- Snap-in PCB mounting to facilitate assembly and wave soldering.
- Optional chassis grounding versions.
- Body design supports auto-insertion.
- Choice of nose and fixing nut options.
- Ni-Ag® Alloy Self-Cleaning Contacts for superior performance and reliability.

Cliff Electronic Components, Ltd.

76 Holmethorpe Avenue, Holmethorpe Ind. Est.

Redhill, Surrey RH1 2PF. England

Tel: +44 (0) 1737 771375

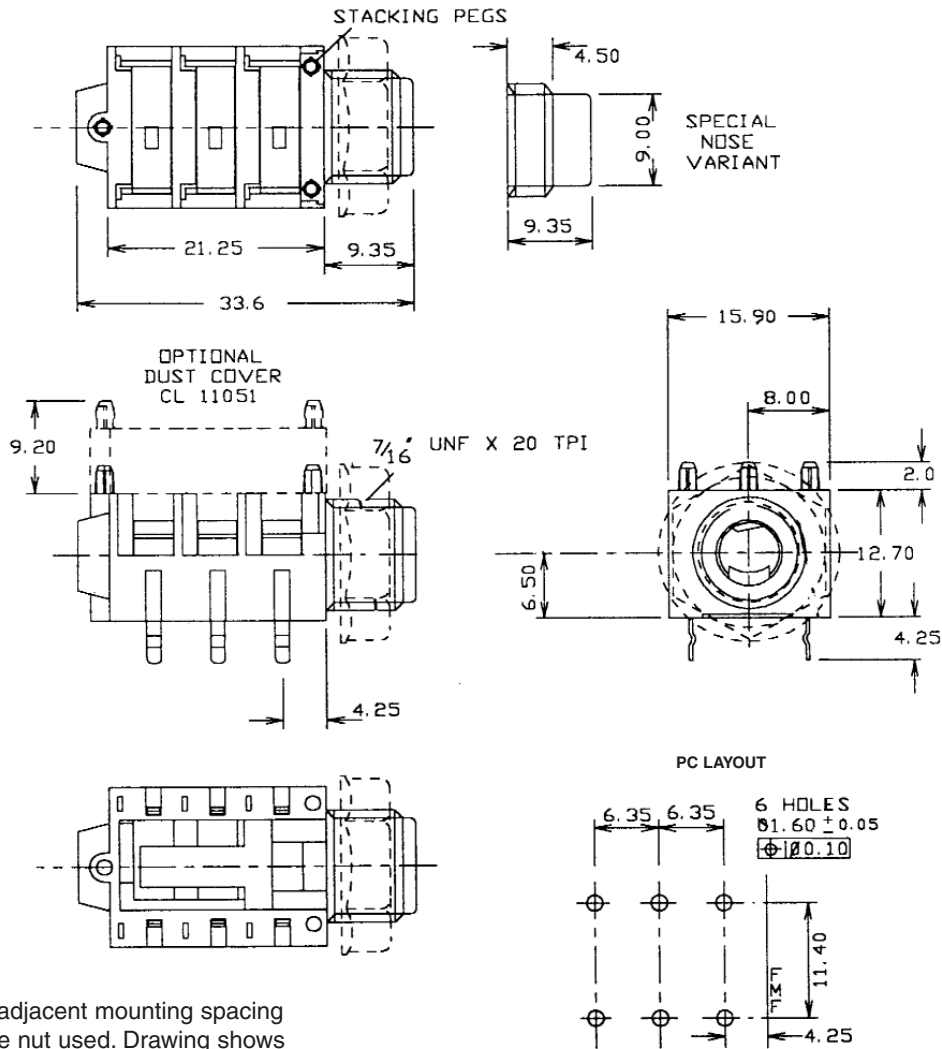
Fax: +44 (0) 1737 766012

Email: sales@cliffuk.co.uk



Visit us online at:

www.cliffuk.co.uk



The minimum adjacent mounting spacing depends on the nut used. Drawing shows plastic nut and kinked legs are standard.

Specification:

- Withstand voltage:** 2000V DC Min.
- Maximum Current:** 5 amp.
- Temperature Rating:** -10° C to + 70° C
- Life (Minimum):** 10,000+ Operations. Cr <100mΩ
- Nominal Contact Resistance:** <50mΩ

Technical Data:

Designed to receive both mono and stereo 1/4" jack plugs, the S1 socket is produced from durable grade 1 black nylon with **CLIFF**® Ni-Ag® Alloy self-cleaning contacts for superior performance and reliability. Contacts can also be supplied with our special low noise Ni-Ag® 'ST' plating. The S1 is available with either a half or fully threaded nose and with a nylon nut (standard) or a nickel plated brass hexagonal or slotted ring nut. Mounting hardware, if required, is supplied unassembled. The S1 can also be supplied with prefitted EMI/RFI screen if required. When ordering, please state the contact arrangement required, with a plug inserted, using the following code from the front of the jack socket: B - Break, N - No Contact. For example, an S1/BNB is a 2-pole mono switched jack socket, 1st contact - 'Break', No 2nd contact and third contact - 'Break'. Model S1C, produced in our China plant, has similar specifications and characteristics.