

Micro Motor Connector

OVERVIEW

Widely recognized in the servo motor market, TE Connectivity (TE)'s Micro Motor connectors are applicable to harsh industrial environments. TE's latest Micro Motor connection solutions include a 9 position encoder connector and a 4+2 power & brake connector. Combining Power and Brake into one connector allows a more compact and higher protection standard (IP67) solution with enhanced vibration and shock resistance.



APPLICATIONS

Servo motor / Linear motor / Other motors

ELECTRICAL

	Power+Brake	Encoder
Rated Voltage	380 V AC (Power) / 48 V DC (Brake)	10 V AC
Rated Current	5 A (Power) / 2 A (Brake)	1 A
Dielectric Withstanding Voltage	2500 V for 1 Minute	500 V for 1 Minute

STANDARDS & SPECIFICATIONS

	Power+Brake	Encoder
Certificated By	TUV & UL	UL
Product Spec	108-137039	108-5864
Application Spec	114-137039	114-5335
Instruction Sheet	411-137039	411-78082

KEY FEATURES AND BENEFITS

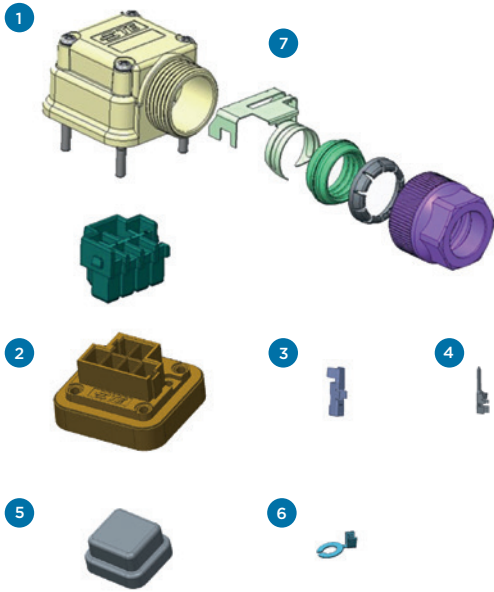
Features	Benefits
Power and Brake Combined in One Connector	Hybrid Connector for Lowest Applied Cost
Field Installable Connector	Easy to Install in the Field
Micro Motor Uses Standard Cable Sizes	Compatible with Commercially Available Cable
High Temperature Rating for Power and Brake 125°C, High Voltage Rating (380 V)	High Performance in a Small Design
IP67	Suited for Harsh Environment
TUV/UL Certification	Meets European and American Standards
Uses Robust Contact	Box Design Provides Vibration Resistance

MECHANICAL

	Power+Brake	Encoder
	4 Position + 2 Position	9 Position
Temperature Rating	-40°C ~ 125°C	-30°C ~ 105°C
Wire Sizes	0.32 mm - 0.75 mm	0.13 mm - 0.33 mm
Wire OD	Ø 8.6 mm - Ø 9.4 mm	Ø 6.8 mm ~ Ø 7.4 mm

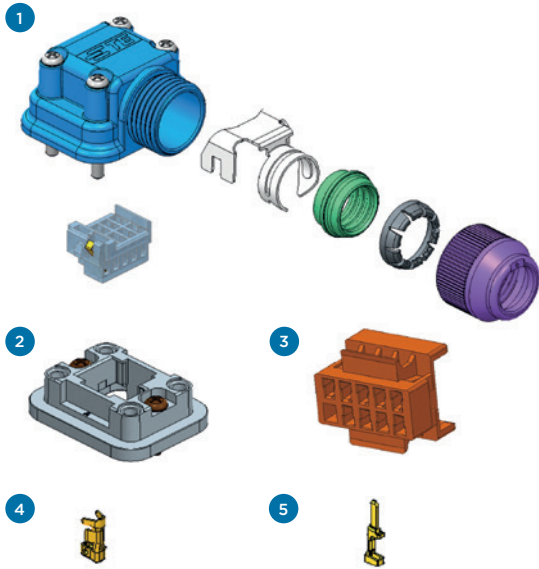
Micro Motor Connector

PRODUCT SELECTION - POWER & BRAKE



	Part Description	P/N	Remark
1	Power & Brake Cable I/O Kit Without Contact	2271522-1	
2	Power & Brake Base Plate	2271280-1	
3	Receptacle Power Contact	2271279-2	
4	Plug Power Terminal	2271283-2	
5	Dust Cap for Power & Brake	2271284-1	
6	Grounding Clip	2271285-1	Optional
7	Shielding	2271277-1	Optional
	Certi-Crimp II Hand Tool	2280413-1	Optional
	Shielding Hand Tool	2280400-1	Optional

PRODUCT SELECTION - ENCODER



	Part Description	P/N	Remark
1	Encoder Cable I/O Kit Without Contact	2201825-1	
2	Encoder 9 Position Base Plate	2174065-4	
3	Encoder 9 Position Base Insert	2108418-1	
4	Receptacle Signal Contact	2108422-1	
5	Plug Signal Terminal 1.5 VP	2069391-2	
	Dust Cap for Encoder	2271267-1	Optional
	Encoder Cable I/O Kit	1674320-1	
	Encoder Cable I/O Kit 100Set, M- Motor Plus	2174054-1	
	Encoder Cable I/O Kit, M- Motor Plus	2174053-1	

te.com

Micro Motor Connector, TE Connectivity, TE connectivity (logo) and Every Connection Counts are trademarks. All other logos, products and/or company names referred to herein might be trademarks of their respective owners.

The information given herein, including drawings, illustrations and schematics which are intended for illustration purposes only, is believed to be reliable. However, TE Connectivity makes no warranties as to its accuracy or completeness and disclaims any liability in connection with its use. TE Connectivity's obligations shall only be as set forth in TE Connectivity's Standard Terms and Conditions of Sale for this product and in no case will TE Connectivity be liable for any incidental, indirect or consequential damages arising out of the sale, resale, use or misuse of the product. Users of TE Connectivity products should make their own evaluation to determine the suitability of each such product for the specific application.

© 2017 TE Connectivity Ltd. family of companies All Rights Reserved.

1-1773860-6 02/2017 Original: WR

PRODUCT SHEET

TE Connectivity Automation & Control

Pfnorstr. 1
D-64293 Darmstadt
Germany

+49 6151 607 1999

www.te.com

LEGAL ENTITY