



SIMPLE EASY CODE

The CL160 provides on the door code change and simple retrofit opportunities.

CL160

The CL160 is the latest edition to the CL100 product group, bringing many additional features to the range. The mechanical lock provides simple on-the-door code change, adding significant benefits to the management of the lock where regular code changes are required. The CL160 can also be retrofitted to the existing CL155 lock prep as well as other similar products, so simple upgrades are possible. Staying in control has never been easier. CL160 can be used to restrict access in residential properties and many commercial buildings.

FEATURES

- Easy fit
- Simple convenient control
- EasyCode Function requires lock removal for code change
- QuickCode Function allows on door code change
- 4-6 digit code length
- Over 1000 total code combinations
- Suitable for low traffic applications
- Limited lifetime warranty*
- 60mm backset latch
- Hold open function allowing Code Free access
- Vertical orientation
- Flat spring loaded spindle
- Suitable for wooden doors between 35-60mm thick
- Silver Grey finish
- Non-handed, locks will suit Right or Left hand hung doors
- Light duty latch bolt with 'anti-shim' plunger
- Alternative 50mm and 70mm backset latches available



CL160

Mortice Latch

As standard supplied with 'hold open' function allowing free entry when required without operating the code. Function can be disabled on installation requiring code to be entered every time to open the door.

OPTIONS

Latch Options:

Light duty with stainless steel latch bolt head, with "anti-shim" plunger, 60mm (2 3/8") back set requires 25mm (1") hole, 82mm (3 1/4") deep.

Also Available:

50mm (2") back set latch requires 25mm (1") x 72mm (2 7/8") hole. 70mm (2 3/4") back set latch requires 25mm (1") x 92mm (3 5/16") hole.

EASYCODE QUICKCODE

Code Change Method

Locks come complete with a random code selected. The lock can be placed in EasyCode Function or QuickCode Function.

EasyCode

The EasyCode Function requires the lock to be removed from the door to change the code. This ensures a level of management control over who can change the code.

QuickCode

The QuickCode Function is an option that allows the code to be changed while the lock is fitted to the door. This is a convenient option in which code holders can quickly change codes and heighten door access.

The CL160 code chamber consists of 10 buttons from which the code is selected. The 'C' button which is used to re-set the chamber after an incorrect entry, and which must always be used as the first digit of a code. The 'A' button is used to change the code.

Neoprene seals are included on both sides to provide friction against the face of the door and to avoid damage from over tightening of the fixing bolts.

For further product model options see price list.



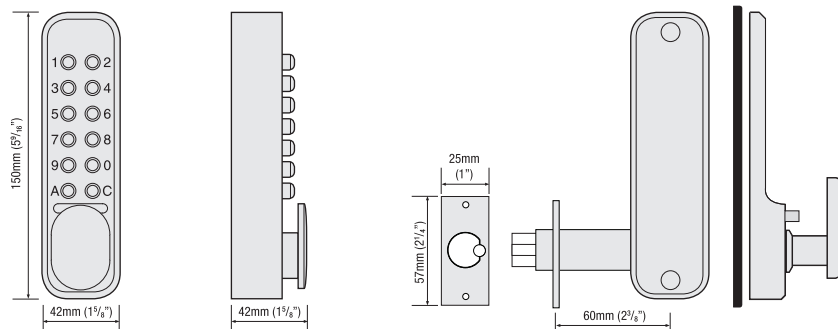
Code Combinations

A code, or combination, can be entered in any order or sequence; e.g. 1234 can be 4321 or 1342 or whatever sequence is most convenient to remember. With 10 buttons, over 1000 different codes are available, any of which can be entered in any sequence. Buttons may only be used ONCE in a code. For example, 1212 is not possible.

TECHNICAL SPECIFICATIONS

Functions	One available
Spindle Type	Flat spring loaded spindle
Material	Zinc Alloy
Door Thickness	35mm - 60mm (1 3/8" - 2 3/8")
Buttons	12 stainless steel buttons
Non Handed	Locks will fit doors hung on the left or right
Fitting Options	Vertical
Finish	SG (silver grey)
Codes	Over 1000 non sequential codes available
Code Storage	Single Code
Suitable For	Low traffic applications - internal use

PRODUCT DIMENSIONS



*Codelocks mechanical locks will be repaired, serviced or replaced free of charge if they develop a manufacturing fault. Faults caused by misuse, abuse and/or poor fitting are not covered by the guarantees.

