



### Main

Range of product	Harmony XAP
Product or component type	Die-cast empty control station
Device short name	XAPM
Product front plate size	85 x 310 mm
Usable depth	74.5 mm
Number of cut-out	Undrilled
Colour of base of enclosure	Blue
Colour of cover	Blue
Material	Aluminium alloy
Cable entry	1 hole without blanking plug for ISO 429248 cable gland with 32 mm
Product mounting	Flush mounting
IP degree of protection	IP69 conforming to NF C 20-010 IP65 conforming to IEC 60529 IP69K

### Complementary

Product weight	0.85 kg
----------------	---------

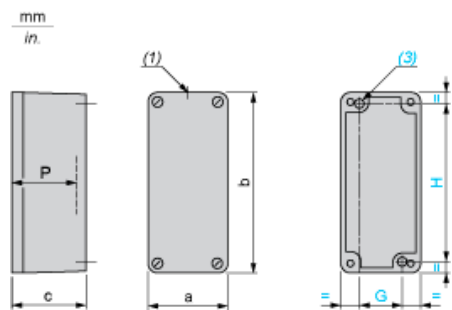
### Environment

Protective treatment	TC
Ambient air temperature for storage	-40...70 °C
Ambient air temperature for operation	-40...70 °C
Class of protection against electric shock	Class I conforming to IEC 60536 Class I conforming to NF C 20-030

### Contractual warranty

Warranty period	18 months
-----------------	-----------

Dimensions and Fixing



- (1) 1 hole, without blanking plug, for cable gland with 24 mm/0.94 in. maximum clamping capacity
- (3) 2 x Ø 5.6 mm/0.22 in. holes, depth 20 mm/0.79 in.

a		b		c		G		H		P	
mm	in.	mm	in.	mm	in.	mm	in.	mm	in.	mm	in.
80	3.15	310	12.20	77	3.03	50	1.97	295	11.61	74.5	2.93