



Main

Range of product	Modicon M221
Product or component type	Logic controller
[Us] rated supply voltage	24 V DC
Discrete input number	16 discrete input conforming to IEC 61131-2 Type 1 including 4 fast input
Analogue input number	2 at input range: 0...10 V
Discrete output type	Transistor
Discrete output number	16 transistor including 2 fast output
Discrete output voltage	24 V DC
Discrete output current	0.1 A

Complementary

Discrete I/O number	32
Number of I/O expansion module	<= 7 for relay output
Supply voltage limits	20.4...28.8 V
Inrush current	<= 35 A
Power consumption in W	<= 22.3 W at 24 V with max number of I/O expansion module <= 3.5 W at 24 V without I/O expansion module
Power supply output current	0.52 A at 5 V for expansion bus 0.48 A at 24 V for expansion bus
Discrete input logic	Sink or source (positive/negative)
Discrete input voltage	24 V
Discrete input voltage type	DC
Analogue input resolution	10 bits
LSB value	10 mV
Conversion time	1 ms per channel + 1 controller cycle time for analog input
Permitted overload on inputs	+/- 30 V DC for analog input with 5 min maximum +/- 13 V DC for analog input permanent
Voltage state1 guaranteed	>= 15 V for input
Current state 1 guaranteed	>= 2.6 mA for fast input >= 4.2 mA for discrete input

Voltage state 0 guaranteed	<= 5 V for input
Current state 0 guaranteed	<= 1.3 mA for discrete input <= 0.6 mA for fast input
Discrete input current	7 mA for discrete input 5 mA for fast input
Input impedance	4.9 kOhm for fast input 3.4 kOhm for discrete input 100 kOhm for analog input
Response time	35 µs turn-off operation for input; I2...I5 terminal 5 µs turn-on operation for fast input; I0, I1, I6, I7 terminal 35 µs turn-on operation for input; other terminals terminal 5 µs turn-off operation for fast input; I0, I1, I6, I7 terminal 100 µs turn-off operation for input; other terminals terminal 5 µs turn-on, turn-off operation for output; Q0...Q1 terminal 50 µs turn-on, turn-off operation for output; Q2...Q3 terminal 300 µs turn-on, turn-off operation for output; other terminals terminal
Configurable filtering time	0 ms for input 12 ms for input 3 ms for input
Discrete output logic	Positive logic (source)
Current per output common	1.6 A
Output frequency	100 kHz for fast output (PWM/PLS mode) at Q0...Q1 terminal 5 kHz for output at Q2...Q3 terminal 0.1 kHz for output at Q4...Q15 terminal
Absolute accuracy error	+/- 1 % of full scale for analog input
Leakage current	0.1 mA for transistor output
Voltage drop	<= 1 V
Mechanical durability	>= 20000000 cycles for transistor output
Tungsten load	<= 2.4 W for output and fast output
Protection type	Short-circuit and overload protection with automatic reset Short-circuit protection on output Overload and short-circuit protection at 0.2 A
Reset time	1 s automatic reset
Memory capacity	256 kB for user application and data RAM with 10000 instructions 256 kB for internal variables RAM
Data backed up	256 kB built-in flash memory for backup of application and data
Data storage equipment	2 GB SD card optional
Battery type	BR2032 lithium non-rechargeable, battery life: 4 yr
Backup time	1 year at 25 °C by interruption of power supply
Execution time for 1 KInstruction	0.3 ms for event and periodic task 0.7 ms for other instruction
Execution time per instruction	0.2 µs Boolean
Exct time for event task	60 µs response time
Application structure	1 cyclic auxiliary task 1 configurable freewheeling/cyclic master task 8 interrupt tasks
Maximum size of object areas	255 %TM timers 8000 %MW memory words 255 %C counters 512 %KW constant words 512 %M memory bits
Realtime clock	With
Clock drift	<= 30 s/month at 25 °C
Regulation loop	Adjustable PID regulator up to 14 simultaneous loops
Positioning functions	Position PTO 2 axe(s) pulse/direction mode (100 kHz) Position PTO 1 axe(s) CW/CCW mode (100 kHz)
Function available	Frequency generator PWM PLS
Counting input number	4 fast input (HSC mode) (counting frequency: 100 kHz), counting capacity: 32 bits
Control signal type	Single phase Pulse/Direction

A/B

Integrated connection type	USB port with connector mini B USB 2.0 Non isolated serial link "serial 1" with connector RJ45 and interface RS485 Non isolated serial link "serial 2" with connector RJ45 and interface RS232/RS485
Supply	Serial 1 serial link supply at 5 V 200 mA
Transmission rate	1.2...115.2 kbit/s (115.2 kbit/s by default) for bus length of 15 m - communication protocol: RS485 1.2...115.2 kbit/s (115.2 kbit/s by default) for bus length of 3 m - communication protocol: RS232 480 Mbit/s - communication protocol: USB
Communication port protocol	USB port : USB protocol - SoMachine-Network Non isolated serial link : Modbus protocol master/slave - RTU/ASCII or SoMachine-Network
Communication service	Modbus slave Modbus master
Local signalling	1 LED green for SD card access (SD) 1 LED red for BAT 1 LED green for SL1 1 LED green for SL2 1 LED per channel green for I/O state 1 LED red for module error (ERR) 1 LED green for PWR 1 LED green for RUN
Electrical connection	Mini B USB 2.0 connector for a programming terminal Terminal block, 3 terminal(s) for connecting the 24 V DC power supply Connector, 4 terminal(s) for analogue inputs HE-10 connector, 20 terminal(s) for inputs HE-10 connector, 20 terminal(s) for outputs
Cable length	<= 10 m shielded cable for fast input <= 3 m shielded cable for fast output <= 30 m unshielded cable for output <= 30 m unshielded cable for digital input <= 1 m unshielded cable for analog input
Insulation	500 V AC between fast input and internal logic Non-insulated between inputs Non-insulated between analogue inputs 500 V AC between output and internal logic 500 V AC between input and internal logic Non-insulated between analogue input and internal logic
Marking	CE
Mounting support	Top hat type TH35-15 rail conforming to IEC 60715 Top hat type TH35-7.5 rail conforming to IEC 60715 Plate or panel with fixing kit
Height	90 mm
Depth	70 mm
Width	70 mm
Product weight	0.27 kg

Environment

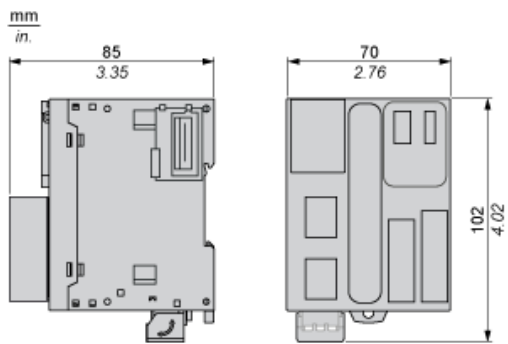
Standards	EN/IEC 60664-1 EN/IEC 61010-2-201 EN/IEC 61131-2
Product certifications	RCM ABS cULus DNV-GL IACS E10 LR CSA EAC
Environmental characteristic	Ordinary and hazardous location
Resistance to electrostatic discharge	4 kV on contact conforming to EN/IEC 61000-4-2 8 kV in air conforming to EN/IEC 61000-4-2
Resistance to electromagnetic fields	10 V/m (80 MHz...1 GHz) conforming to EN/IEC 61000-4-3 3 V/m (1.4 GHz...2 GHz) conforming to EN/IEC 61000-4-3 1 V/m (2...2.7 GHz) conforming to EN/IEC 61000-4-3
Resistance to magnetic fields	30 A/m at 50...60 Hz conforming to EN/IEC 61000-4-8
Resistance to fast transients	2 kV for power lines conforming to EN/IEC 61000-4-4

	<p>2 kV for relay output conforming to EN/IEC 61000-4-4</p> <p>1 kV for Ethernet line conforming to EN/IEC 61000-4-4</p> <p>1 kV for serial link conforming to EN/IEC 61000-4-4</p> <p>1 kV for I/O conforming to EN/IEC 61000-4-4</p>
Surge withstand	<p>2 kV for power lines (AC) in common mode conforming to EN/IEC 61000-4-5</p> <p>2 kV for relay output in common mode conforming to EN/IEC 61000-4-5</p> <p>1 kV for I/O in common mode conforming to EN/IEC 61000-4-5</p> <p>1 kV for shielded cable in common mode conforming to EN/IEC 61000-4-5</p> <p>0.5 kV for power lines (DC) in differential mode conforming to EN/IEC 61000-4-5</p> <p>1 kV for power lines (AC) in differential mode conforming to EN/IEC 61000-4-5</p> <p>1 kV for relay output in differential mode conforming to EN/IEC 61000-4-5</p> <p>0.5 kV for power lines (DC) in common mode conforming to EN/IEC 61000-4-5</p>
Resistance to conducted disturbances, induced by radio frequency fields	<p>10 Vrms (0.15...80 MHz) conforming to EN/IEC 61000-4-6</p> <p>3 Vrms (0.1...80 MHz) conforming to Marine specification (LR, ABS, DNV, GL)</p> <p>10 Vrms (spot frequency (2, 3, 4, 6.2, 8.2, 12.6, 16.5, 18.8, 22, 25 MHz)) conforming to Marine specification (LR, ABS, DNV, GL)</p>
Electromagnetic emission	<p>Conducted emissions conforming to EN/IEC 55011 power lines (AC), 0.15...0.5 MHz : 79 dBμV/m QP/66 dBμV/m AV</p> <p>Conducted emissions conforming to EN/IEC 55011 power lines (AC), 0.5...300 MHz : 73 dBμV/m QP/60 dBμV/m AV</p> <p>Conducted emissions conforming to EN/IEC 55011 power lines, 10...150 kHz : 120...69 dBμV/m QP</p> <p>Conducted emissions conforming to EN/IEC 55011 power lines, 150 kHz...1.5 MHz : 79...63 dBμV/m QP</p> <p>Conducted emissions conforming to EN/IEC 55011 power lines, 1.5...30 MHz : 63 dBμV/m QP</p> <p>Radiated emissions conforming to EN/IEC 55011 class A 10 m, 30...230 MHz : 40 dBμV/m QP</p> <p>Radiated emissions conforming to EN/IEC 55011 class A 10 m, 200 MHz...1 GHz : 47 dBμV/m QP</p>
Immunity to microbreaks	10 ms
Ambient air temperature for operation	<p>-10...55 °C for horizontal installation</p> <p>-10...35 °C for vertical installation</p>
Ambient air temperature for storage	-25...70 °C
Relative humidity	<p>10...95 % without condensation in operation</p> <p>10...95 % without condensation in storage</p>
IP degree of protection	IP20 with protective cover in place
Pollution degree	<= 2
Operating altitude	0...2000 m
Storage altitude	0...3000 m
Vibration resistance	<p>3.5 mm (vibration frequency: 5...8.4 Hz) on symmetrical rail</p> <p>1 gn (vibration frequency: 8.4...150 Hz) on symmetrical rail</p> <p>3.5 mm (vibration frequency: 5...8.4 Hz) on panel mounting</p> <p>1 gn (vibration frequency: 8.4...150 Hz) on panel mounting</p>
Shock resistance	147 m/s ² (test wave duration:11 ms)

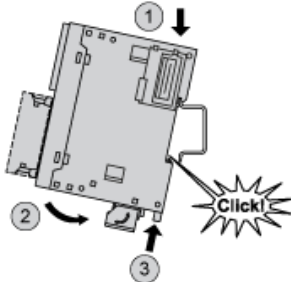
Offer Sustainability

Sustainable offer status	Green Premium product
RoHS (date code: YYWW)	<p>Compliant - since 1348 - Schneider Electric declaration of conformity</p> <p>Schneider Electric declaration of conformity</p>
REACH	<p>Reference not containing SVHC above the threshold</p> <p>Reference not containing SVHC above the threshold</p>
Product environmental profile	<p>Available</p> <p>Product environmental</p>
Product end of life instructions	<p>Available</p> <p>End of life manual</p>

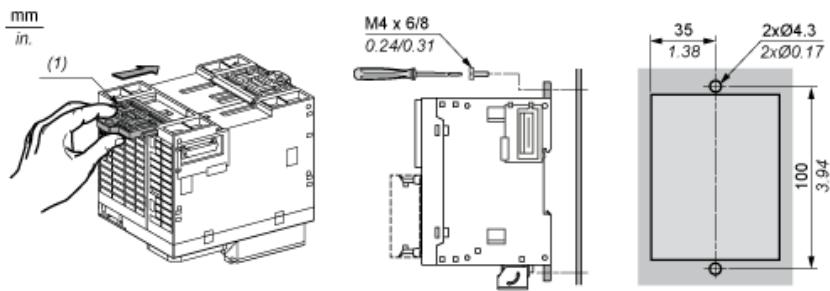
Dimensions



Mounting on a Rail



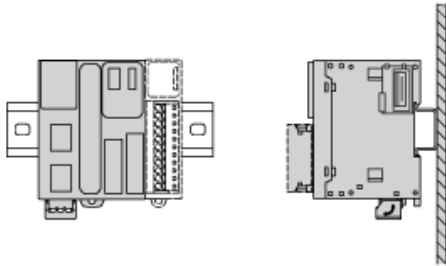
Direct Mounting on a Panel Surface



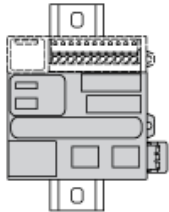
(1) Install a mounting strip

Mounting

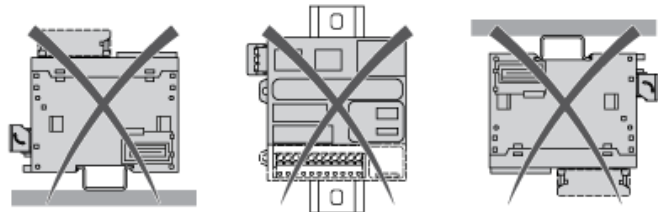
Correct Mounting Position



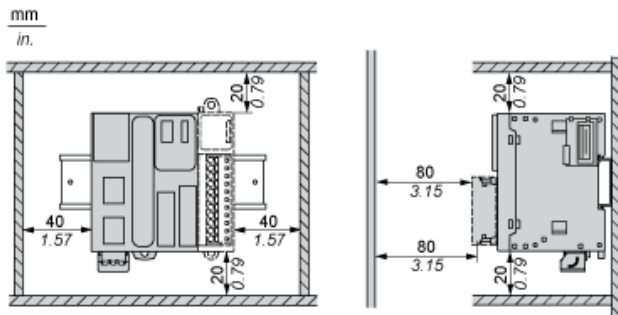
Acceptable Mounting Position



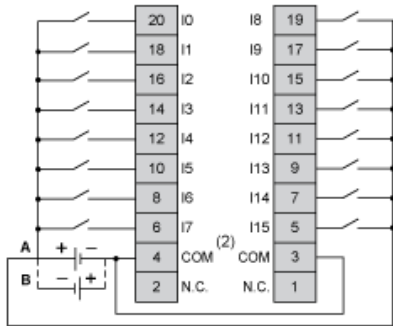
Incorrect Mounting Position



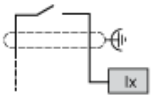
Clearance



Digital Inputs

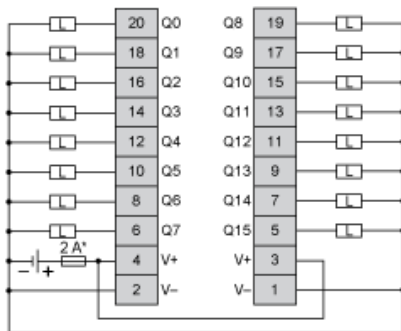


- (1) The COM terminals are not connected internally.
 A : Sink wiring (positive logic).
 B : Source wiring (negative logic).

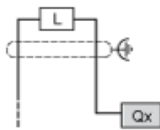


Ix I0, I1, I6, I7

Digital Outputs

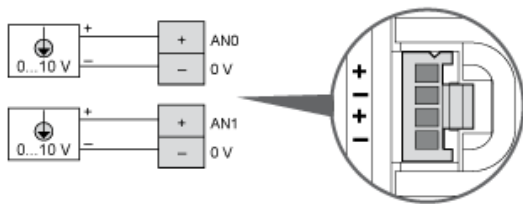
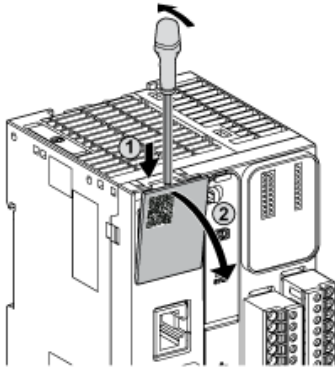


- (*) Type T fuse
- (1) The V+ terminals are connected internally.



Qx Q0, Q1

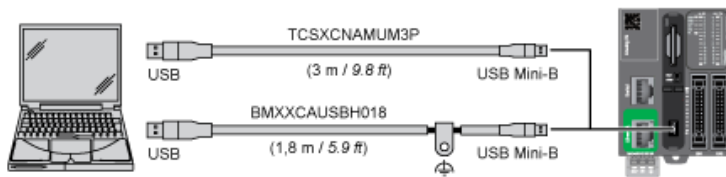
Analog Inputs



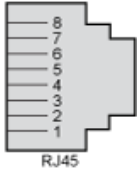
The (-) poles are connected internally.

Pin	Wire Color
AN0 / AN1	Red
0 V	Black

USB Mini-B Connection



SL1 Connection

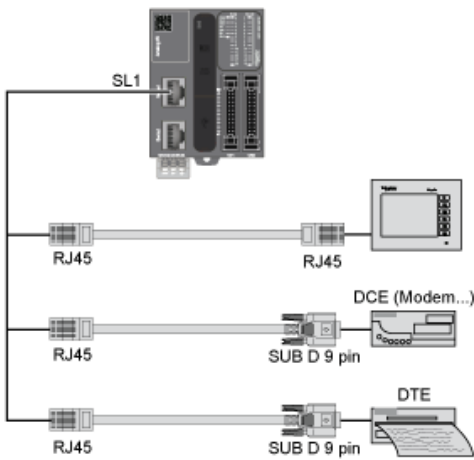


SL1

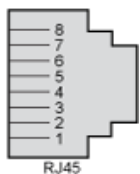
N °	RS 232	RS 485
1	RxD	N.C.
2	TxD	N.C.
3	RTS	N.C.
4	N.C.	D1
5	N.C.	D0
6	CTS	N.C.
7	N.C.*	5 Vdc
8	Common	Common

N.C.: not connected

* : 5 Vdc delivered by the controller. Do not connect.



SL2 Connection

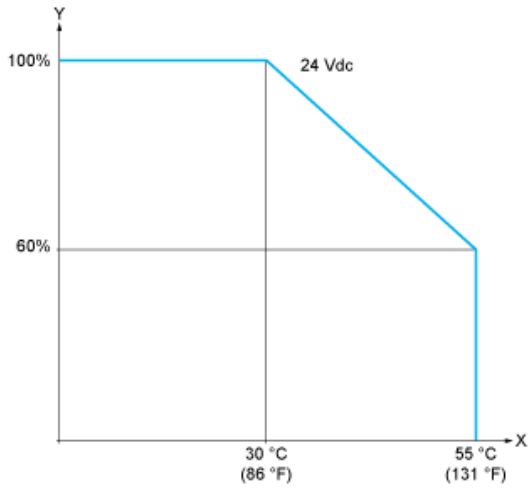


N °	RS 485
1	N.C.
2	N.C.
3	N.C.
4	D1
5	D0
6	N.C.
7	N.C.
8	Common

N.C.: not connected

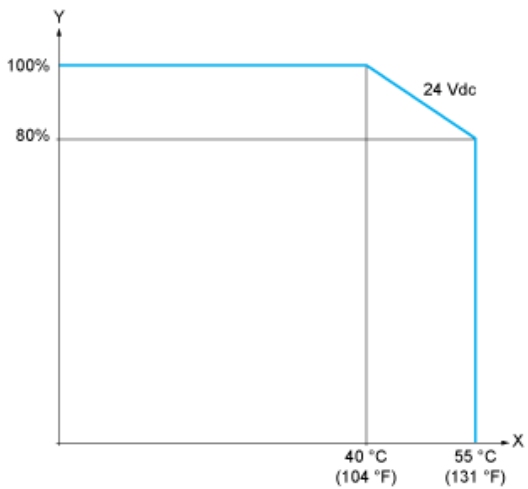
Derating Curves

Embedded Digital Inputs



X : Ambient temperature
Y : Input simultaneous ON ratio

Embedded Digital Outputs



X : Ambient temperature
Y : Output simultaneous ON ratio