

Data Sheet

PT116xxHBEC

Page 1/5

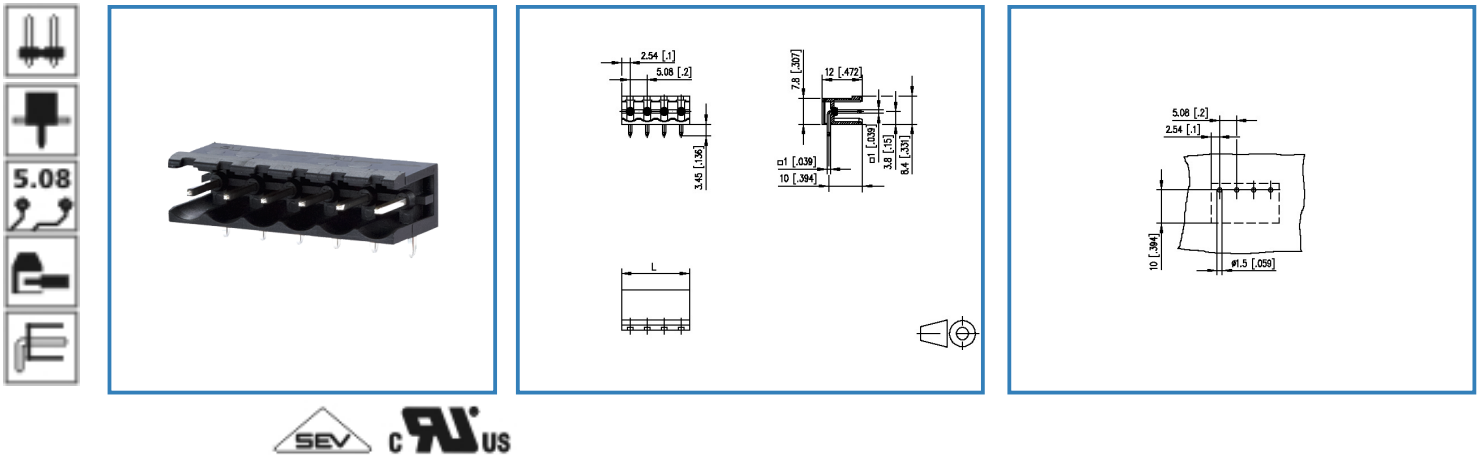
P/N

312291xx

xx=number of poles

2017/01/24

Illustration



see enlarged drawing at the end of the document

Product specification

- pin header, solderable
- centerline 5.08 mm, direction of connection 90°
- open ends, fittable without loss of poles
- color black
- codeable

Data Sheet

PT116xxHBEC

Technical Data

General Data

Solder pin length	3.45 mm		
min. number of poles	2		
max. number of poles	24		
Insulating material class	CTI 600		
clearance/creepage dist.	4.08 mm		
protection category	IP 00		
Overvoltage category	III	III	II
Pollution degree	3	2	2
Rated voltage	320 V	800 V	800 V
Rated test voltage	4 kV	4.0 kV	4 kV

Approvals



300 / 15



13.5 A / 320 V / 4 kV / 3 / IEC 61984

Material

insulating material	PA66
flammability class	V0
Glow-Wire Flammability GWFI	960
Glow-Wire Flammability GWIT	775
contact pin material	CuFe
contact pin surface	Ni + Ag

Climatic properties

upper limit temperature	105 °C
lower limit temperature	-40 °C

General

solderability	Acc. to JEDEC JESD22-B102E 245°C/5s
Tolerance	ISO 2768 -mH



Data Sheet

PT116xxHBEC

Page 3/5

P/N

312291xx

xx=number of poles

2017/01/24

Matching Part to

P/N	Product name
312131	RP036xxHBLC Typ 213
312141	RP036xxHBLD Typ 214
312491	RP016xxVBLC Typ 249
312501	RP016xxSBLC Typ 250
ASP046	SP046xxVBNC ASP046

Accessories

P/N	Product name
700024-01-9	700024
700523-0157 (on request)	Geh_Kappe_swg_Block
700523-0257 (on request)	Geh_Kappe_swg_Block



Data Sheet

PT116xxHBEC

Page 4/5

P/N

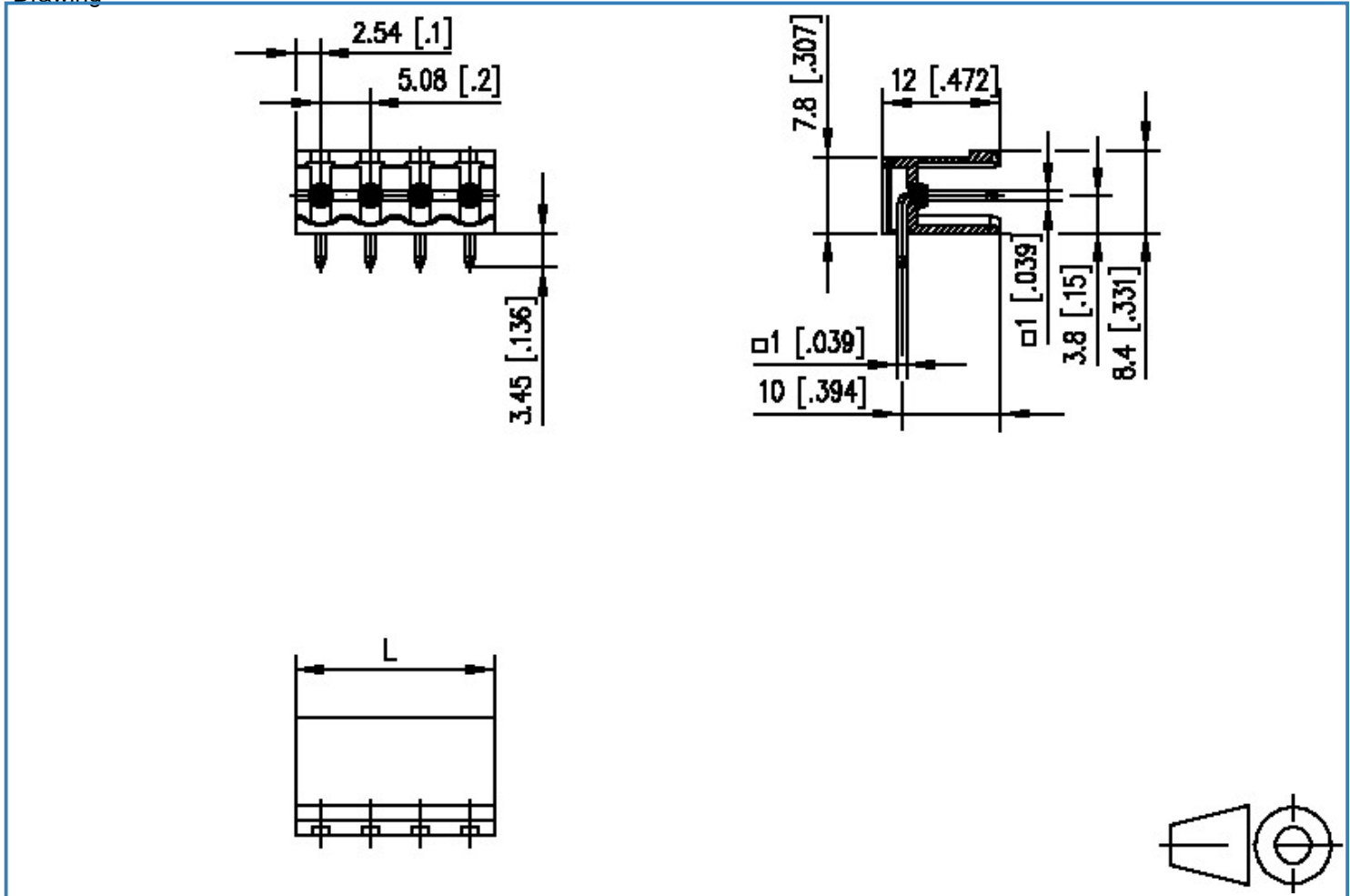
312291xx

xx=number of poles

2017/01/24

Illustration

Drawing



$$L = (\text{pole size} - 1) \times \text{centerline} + 4.98 [0.196]$$



Data Sheet

PT116xxHBEC

Page 5/5

P/N

312291xx

xx=number of poles

2017/01/24

PCB Layout

